

# RIM MINI ROUNDED RECTANGLE



PENDANT  
STATIC WHITE



Project: \_\_\_\_\_

Type: \_\_\_\_\_



## DESCRIPTION

Rim Mini is part of our Miniwerx Collection—a growing series of luminaires engineered to deliver full-scale performance in significantly reduced form factors. At just 1.25" tall and 0.8" wide, Rim Mini is over 40% slimmer than the standard Rim profile and maintains the design freedom the Rim Collection is known for. It enables clean, precise lighting with a minimal visual footprint and maximum flexibility across shapes, sizes, and configuration options.

## Order Guide

LUMINAIRE ID	SIZE	CORNER RADIUS	OPTIC	LIGHT SOURCE <sup>1</sup>	CRI
<b>RIMMIRDREP</b>		<b>R9</b>	<b>ULO</b>	<b>SW</b>	<b>90CRI</b>
<b>RIMMIRDREP</b> - Rim Mini Rounded Rectangle Pendant	<b>24INX48IN</b> - 24" x 48" <b>24INX72IN</b> - 24" x 72" <b>24INX96IN</b> - 24" x 96" <b>36INX48IN</b> - 36" x 48" <b>36INX72IN</b> - 36" x 72"	<b>R9</b> - 9" radius	<b>ULO</b> - Uniform Lambertian Optic	<b>SW</b> - Static white  <sup>1</sup> Chromawerx SOLA, DUO, and QUADRO also available. Consult factory.	<b>90CRI</b> - 90+ CRI

LUMEN PACKAGE		COLOR TEMP.	VOLTAGE	REMOTE DRIVER	ELECTRICAL <sup>4</sup>	
					<b>1C</b>	
24" x 48" 24" x 72" 24" x 96" 36" x 48" 36" x 72"	Low <b>3600LM</b> <b>4900LM</b> <b>6200LM</b> <b>4200LM</b> <b>5500LM</b>	High <b>5200LM</b> <b>7100LM</b> <b>9000LM</b> <b>6100LM</b> <b>8000LM</b>	<b>27K</b> - 2700K <b>30K</b> - 3000K <b>35K</b> - 3500K <b>40K</b> - 4000K	<b>120V</b> - 120V <b>277V</b> - 277V <b>UNV</b> - 120V-277V <b>347V</b> <sup>2</sup> - 347V	<b>D1</b> - 1% 0-10V <b>DA</b> <sup>3</sup> - DALI <b>LDE1</b> <sup>3</sup> - Lutron Hi-Lume 1% Eco <b>ELD1</b> - eldoLED 1% ECOdrive 0-10V <b>ELDO</b> - eldoLED0.1% SOLOdrive 0-10V	<b>1C</b> - 1 circuit  <sup>4</sup> For other circuit configurations, consult factory.
			<sup>2</sup> Available with D1 driver only.	<sup>3</sup> On-site commissioning is required.		

MOUNTING					FINISH										
<b>DRIVER BOX <sup>5</sup></b> <b>SCD</b> <sup>6,7</sup> - Square canopy driver box <b>RDB</b> - Remote driver box  <sup>5</sup> For more information see page 3. <sup>6</sup> With single canopy option, not available for lumen packages over 6000 lm (3500 lm for Lutron driver options). <sup>7</sup> Not available with 347V.	<b>CANOPY FINISH</b> <b>W</b> - Matte white <b>AL</b> - Aluminum <b>B</b> - Matte black <b>CF</b> - Custom finish, specify RAL#	<b>POWER</b> <b>POC</b> - Integrated suspension power-over-aircraft cable <b>BAC</b> - Black power cord + aircraft cable <b>WAC</b> - White power cord + aircraft cable	<b>MOUNTING POINTS</b> <b>SC</b> <sup>8</sup> - Single canopy <b>MC</b> <sup>9,10</sup> - Multiple canopies  <sup>8</sup> Not available with 24" x 96" size. <sup>9</sup> 4 or more canopies provided. <sup>10</sup> With the SCD option, the type of each canopy may differ based on the selected lumen package and driver options. Consult factory for details.	<b>MOUNTING CABLE LENGTH <sup>11</sup></b> <b>18IN</b> - 18" <b>24IN</b> - 24" <b>36IN</b> - 36" <b>48IN</b> - 48" <b>60IN</b> - 60" <b>72IN</b> - 72" <b>96IN</b> - 96" <b>120IN</b> - 120" <b>##IN</b> - Specify nominal length in inches  <sup>11</sup> Minimum mounting heights are based on the size of the ring on top (closest to ceiling) of the stack: <table border="1"> <thead> <tr> <th>Fixture size</th> <th>Minimum height</th> </tr> </thead> <tbody> <tr> <td>24" x 48"</td> <td>29"</td> </tr> <tr> <td>24" x 72"</td> <td>43"</td> </tr> <tr> <td>36" x 48"</td> <td>29"</td> </tr> <tr> <td>36" x 72"</td> <td>43"</td> </tr> </tbody> </table>	Fixture size	Minimum height	24" x 48"	29"	24" x 72"	43"	36" x 48"	29"	36" x 72"	43"	<b>W</b> - Matte white <b>AL</b> - Aluminum <b>B</b> - Matte black <b>CF</b> - Custom finish, specify RAL#
Fixture size	Minimum height														
24" x 48"	29"														
24" x 72"	43"														
36" x 48"	29"														
36" x 72"	43"														

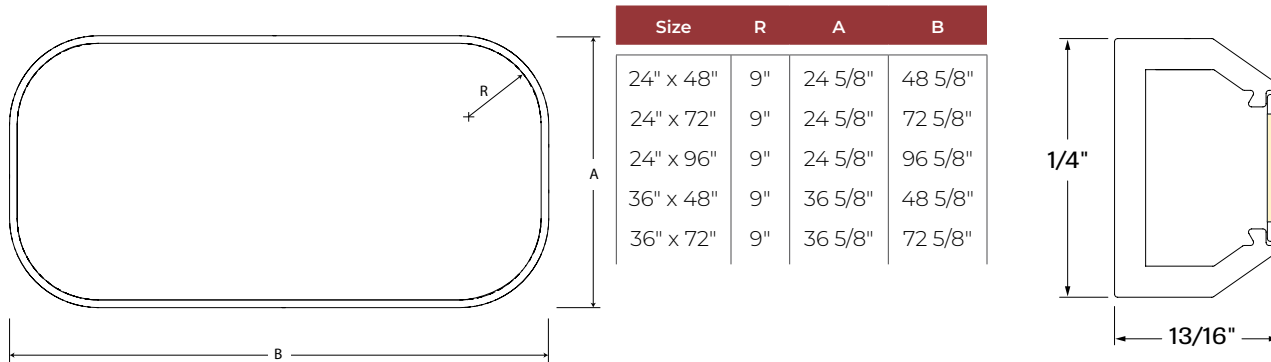
# RIM MINI ROUNDED RECTANGLE



PENDANT  
STATIC WHITE

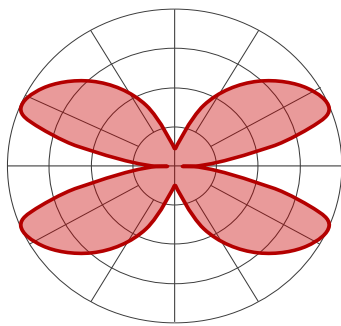
## Dimensions

SECTION VIEW



## Photometrics

Delivered lumens at 4000K at 90+ CRI



24" x 48"

LM	WATTS	LM/W
3600	40	90
5200	59.8	87

24" x 72"

LM	WATTS	LM/W
4900	54.4	90
7100	81.6	87

24" x 96"

LM	WATTS	LM/W
6200	68.9	90
9000	103.4	87

36" x 48"

LM	WATTS	LM/W
4200	46.7	90
6100	70.1	87

36" x 72"

LM	WATTS	LM/W
5500	61.1	90
8000	92	87

### MULTIPLIER TABLE

Use this table to get results for different color temperatures and CRI for all photometric tables.

CCT	WATTS	LPW
2700K	1.08	0.92
3000K	1.05	0.96
3500K	1.02	0.98
4000K	1.00	1.00

# RIM MINI ROUNDED RECTANGLE



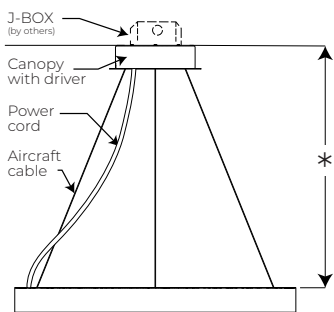
PENDANT  
STATIC WHITE

## Mounting Options

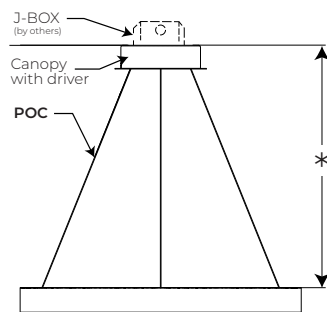
### SCD - SQUARE CANOPY DRIVER BOX

#### SC - SINGLE CANOPY<sup>1</sup>

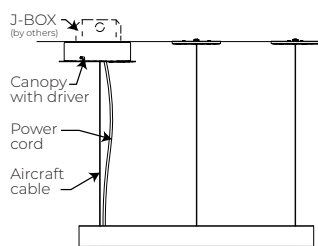
#### MC - MULTIPLE CANOPY



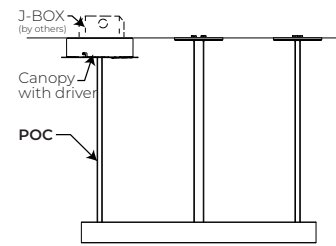
AC - Aircraft cable



POC - Power-over-aircraft cable



AC - Aircraft cable

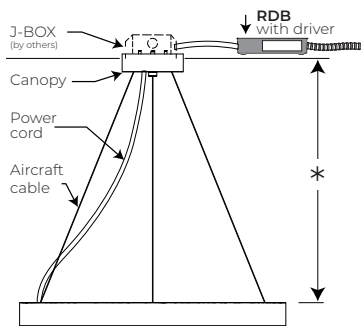


POC - Power-over-aircraft cable

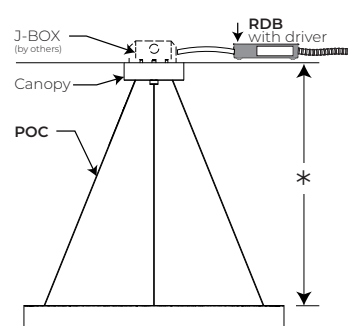
### RDB - REMOTE DRIVER BOX

#### SC - SINGLE CANOPY<sup>1</sup>

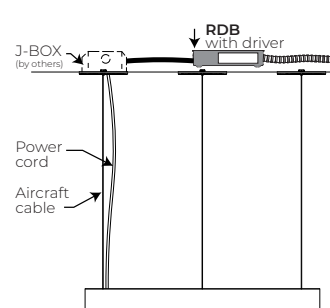
#### MC - MULTIPLE CANOPY



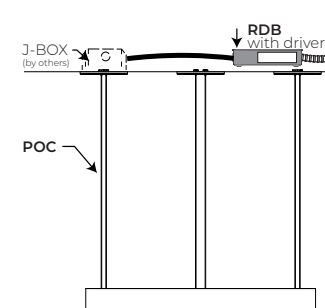
AC - Aircraft cable



POC - Power-over-aircraft cable



AC - Aircraft cable



POC - Power-over-aircraft cable

For single canopy option, the minimum required mounting heights:

Fixture size	* Minimum height
24" x 48"	29"
24" x 72"	43"
36" x 48"	29"
36" x 72"	43"

# RIM MINI ROUNDED RECTANGLE

PENDANT  
STATIC WHITE



## Technical Specifications

### OPTIC

#### Uniform Lambertian Optic (ULO)

Thermoformed from impact-modified white PMMA, the ULO provides even luminosity, with up to 88% transmission. Combined with the LED array running around the inside of the housing, the open form and ULO create a widespread 50% direct and 50% indirect light distribution with spacing criteria of 1.6.

### LIGHT SOURCE

Custom array of mid-flux LEDs are mounted directly to the housing for optimal thermal performance. Available in 2700K, 3000K, 3500K and 4000K with 90+ CRI and elevated R9 value. Color consistency is maintained to 3 SDCM.

All LEDs have been tested in accordance with IESNA LM-80-08 and results have shown L80 lumen maintenance are greater than 60,000 hours. Absolute product photometry is measured and presented in accordance with IESNA LM-79, unless otherwise indicated.

### ELECTRICAL

Factory-set, adjustable output current LED driver with universal (120-277VAC) input. Dimmable from 100% to 1% with 0-10V dimming control. Rated life (90% survivorship) of 50,000 hours at 50°C max. ambient (and 70°C max. case) temperature. At maximum driver load: Efficiency>84%, PF>0.9, THD<20%. Other specifiable options include Lutron Hi-Lume 1% Eco, eldoLED 1% ECOdrive 0-10V, eldoLED 0.1% SOLOdrive 0-10V, and DALI protocol drivers. All of our standard 0-10V drivers are NEMA 410 compliant.

### PoE

Depending on the PoE manufacturer selected, Lumenwerx will install the node in factory as either integral to the luminaire or as a remote module. Factory programming of the PoE node may or may not enable the following functionalities: lumen package, DUO (tunable white), QUADRO (RGBW), emergency battery backup, and sensor integration. These must be addressed and evaluated on a case-by-case basis.

### FINISH

**Interior:** 95% reflective, matte white powder coating

**Exterior:** Matte white, matte black or aluminum powder coating.

Custom finishes are also available.

### CONSTRUCTION

**Housing:** Rolled and seamlessly welded aluminum

**Lens:** Coextruded polycarbonate

### WEIGHT

**24" x 48":** 5.4 lbs - 2.4 kg

**24" x 72":** 7.4 lbs - 3.3 kg

**24" x 96":** 9.4 lbs - 4.3 kg

**36" x 48":** 6.4 lbs - 2.9 kg

**36" x 72":** 8.4 lbs - 3.8 kg

### CERTIFICATION

**ETL:** Rated for indoor dry/damp locations. Conforms to UL Standard 1598 and certified to CAN/CSA Standard C22.2 No. 250.0.

### WARRANTY

Lumenwerx provides a five-year limited warranty on electrical and mechanical performance of the luminaires, including the LED boards, drivers, and auxiliary electronics. Lumenwerx will repair or replace defective luminaires or components at our discretion, provided they have been installed and operated in accordance with our specifications. Other limitations apply, please refer to the full warranty on our website.