

# RIM

## Pendant - Square Canopy Driver Box (SCD) - Single Canopy



### INSTALLATION INSTRUCTIONS

**!** This product must be installed in accordance with the National Electrical Code and all applicable local codes, by a person familiar with the construction and operation of the product, and the hazards involved. Proper grounding is required for safety.

Ce produit doit être installé suivant le code national de l'électricité, ainsi que tous les codes locaux applicables, par une personne familière avec la construction et le fonctionnement du produit, ainsi que tous les risques qui y sont associés. La mise à terre électrique est obligatoire pour la sécurité.

**!** Disconnect power before installation or servicing.

**!** Wire dimming conductors as Class 1.

**!** A luminaire with more than one power supply connection means shall be connected to only one branch circuit.

**!** For electrical connections, please refer to the [wiring diagram guide](#).

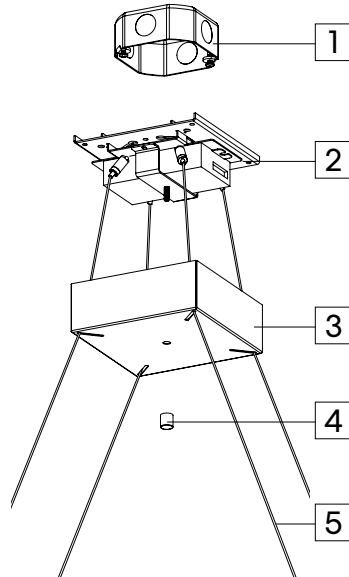


**!** For POC and AC, number of cables may vary.

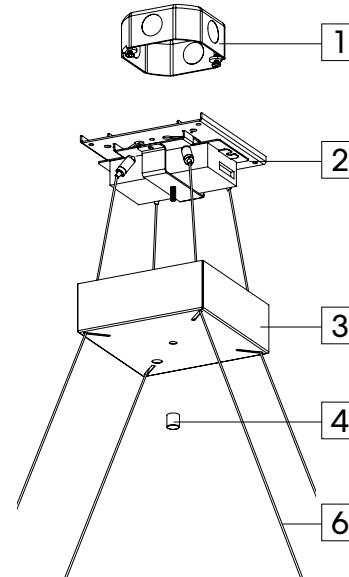
**!** For fixtures that are shipped in separate pieces, please refer to the [joiner system installation sheet](#) first.



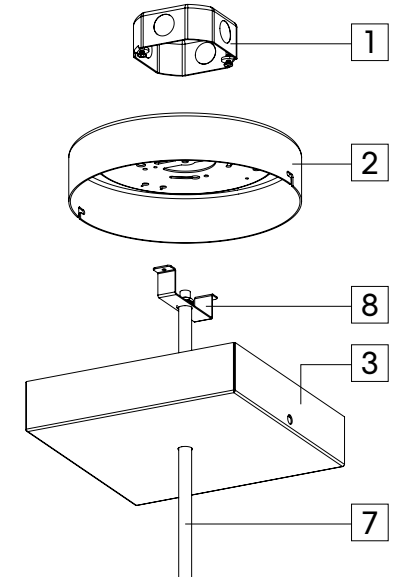
#### POC POWER-OVER-AIRCRAFT CABLE



#### AC AIRCRAFT CABLE



#### STEM



#### INDEX

POC.....	<a href="#">P2</a>
Aircraft cable.....	<a href="#">P4</a>
Stem.....	<a href="#">P6</a>

#### ITEMS LIST

1	Standard J-box (by others)
2	Mounting plate
3	Canopy driver box
4	Decorative nut
5	Power-over-aircraft cable
6	Aircraft cable
7	Stem
8	Stem bracket

#### TOOLS REQUIRED

- Phillips screwdriver
- Aircraft cable cutter (for POC / AC)
- 1/4" drill bit
- Scissors (for POC)

# RIM

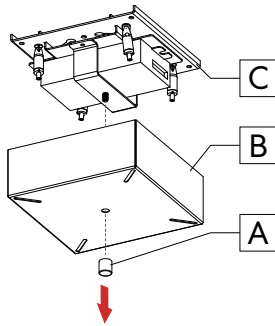
## Pendant - Square Canopy Driver Box (SCD) - Single Canopy



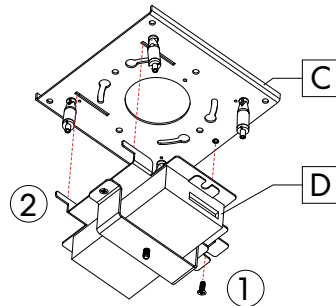
### POC (POWER-OVER-AIRCRAFT CABLE)

#### 1 PREPARE MOUNTING POINTS.

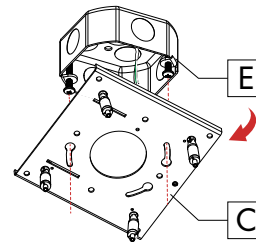
Loosen the decorative nut [A] on the canopy [B]. Separate the canopy [B] from the mounting plate [C].



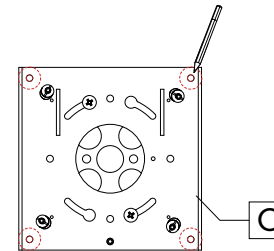
Unscrew to remove the canopy driver [D] from the mounting plate [C] in the order of the numbers.



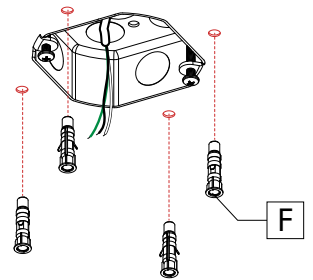
Fix the mounting plate [C] on the junction box [E].



Use the mounting plate [C] as a model to mark 4 holes.

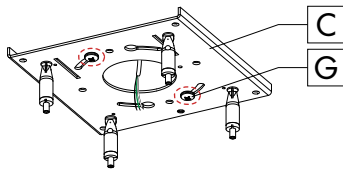


Remove the mounting plate. Drill holes (Ø 1/4") following the red marks. Install #8 drywall anchors [F].

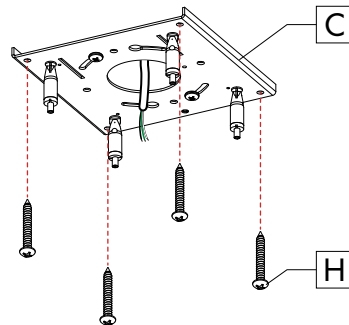


#### 2 FIX MOUNTING PLATE TO CEILING.

Tighten the two screws [G] to secure the mounting plate [C] to the junction box.



Use #8 screws [H] to fasten the mounting plate [C] to the ceiling.

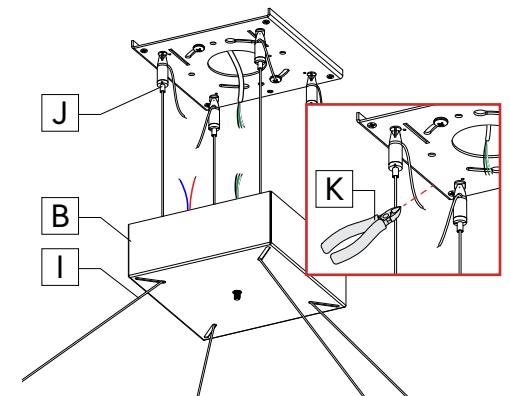


#### 3 INSTALL AIRCRAFT CABLES.

Pass all aircraft cables [I] through the canopy [B]. Insert them into the griplocks [J]. Adjust the cables by pushing the feeder tube [J].

Cut the excess cables with an aircraft cable cutter [K].

**Note:** Height adjustment of the fixture must be done at this step. Leave POC (power-over-aircraft cable) length of 1.5' to make the connection inside the canopy.



# RIM

## Pendant - Square Canopy Driver Box (SCD) - Single Canopy



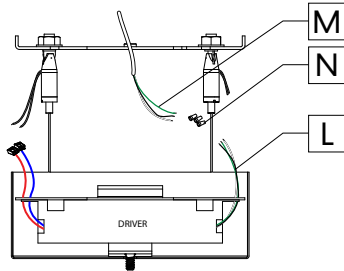
### POC (POWER-OVER-AIRCRAFT CABLE)

#### 4 MAKE ELECTRICAL CONNECTIONS.

Make electrical connections between the driver [L] and the main power [M] with wire nuts [N] (by others).

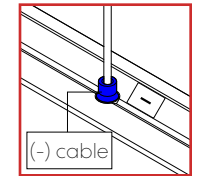
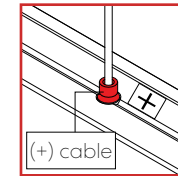
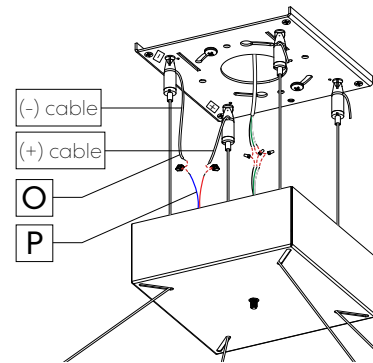
**Note:** Connect the green wire to your ground wire. Make sure to have a steady hold of the fixture. So, it is never hanging loosely from POC (power-over-aircraft cable) if installation is not complete.

**Note:** Number of wires may vary.



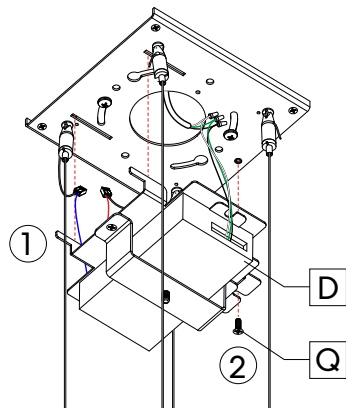
Make electrical connections between POC (power-over-aircraft cable) [O] and the driver [P].

**Note:** Make sure that you are connecting the negative (-) POC (as marked on the fixture with blue color and a label) to your negative wire and the positive (+) POC (as marked on the fixture with red color and a label) to your positive wire.



#### 5 REINSTALL DRIVER.

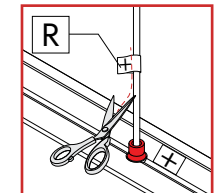
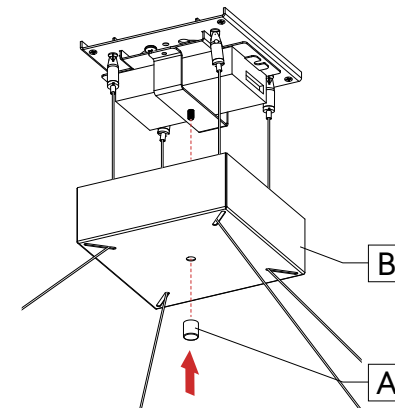
Secure the canopy driver [D] with screw [Q].



#### 6 REINSTALL CANOPY.

Put the canopy [B] back in place and fix using the decorative nut [A].

Cut the labels [R] off the wires.



# RIM

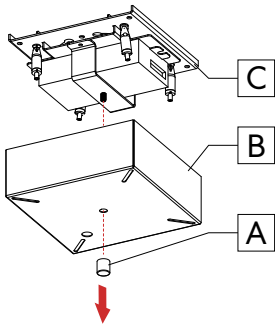
## Pendant - Square Canopy Driver Box (SCD) - Single Canopy



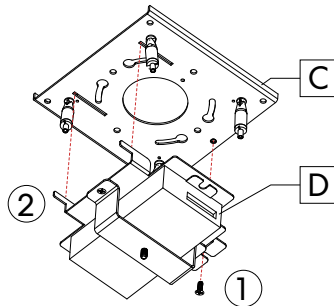
### AC (AIRCRAFT CABLE)

#### 1 PREPARE MOUNTING POINTS.

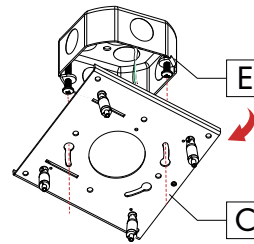
Loosen the decorative nut [A] on the canopy [B]. Separate the canopy [B] from the mounting plate [C].



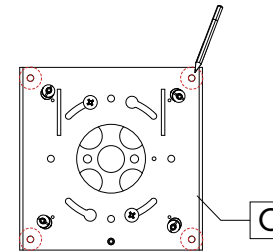
Unscrew to remove the canopy driver [D] from the mounting plate [C] in the order of the numbers.



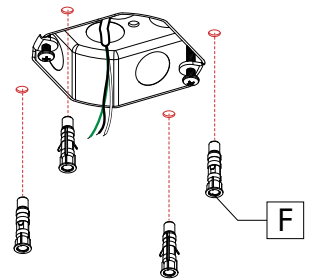
Fix the mounting plate [C] on the junction box [E].



Use the mounting plate [C] as a model to mark 4 holes.

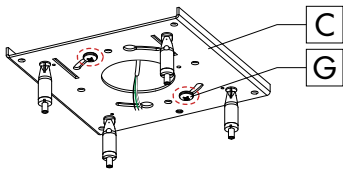


Remove the mounting plate. Drill holes (Ø 1/4") following the red marks. Install #8 drywall anchors [F].

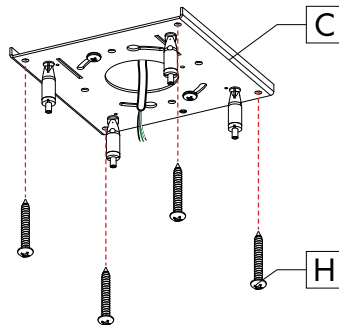


#### 2 FIX MOUNTING PLATE TO CEILING.

Tighten the two screws [G] to secure the mounting plate [C] to the junction box.



Use #8 screws [H] to fasten the mounting plate [C] to the ceiling.

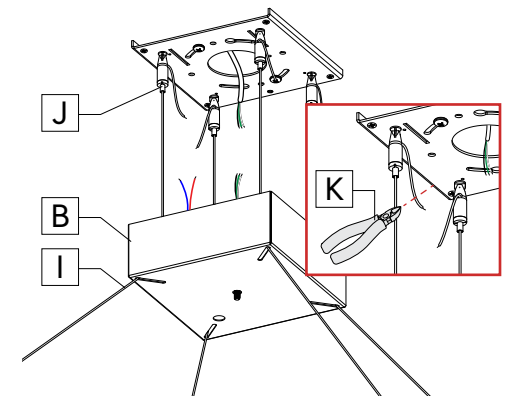


#### 3 INSTALL AIRCRAFT CABLES.

Pass all aircraft cables [I] through the canopy [B]. Insert them into the griplocks [J]. Adjust the cables by pushing the feeder tube [J].

Cut the excess cables with an aircraft cable cutter [K].

**Note:** Height adjustment of the fixture must be done at this step.



# RIM

## Pendant - Square Canopy Driver Box (SCD) - Single Canopy



### AC (AIRCRAFT CABLE)

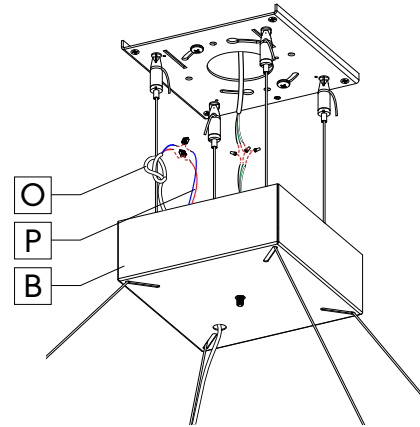
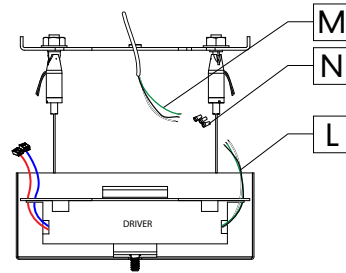
#### 4 MAKE ELECTRICAL CONNECTIONS.

Make electrical connections between the driver [L] and the main power [M] with wire nuts [N] (by others).

**Note:** Connect the green wire to your ground wire.

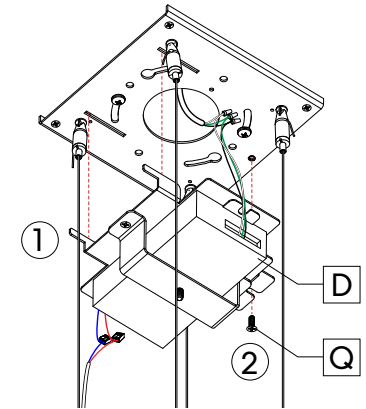
**Note:** Number of wires may vary.

Pass the power cord [O] into the canopy [B] and make a knot. Make electrical connections between the power cord [O] and the driver [P].



#### 5 REINSTALL DRIVER.

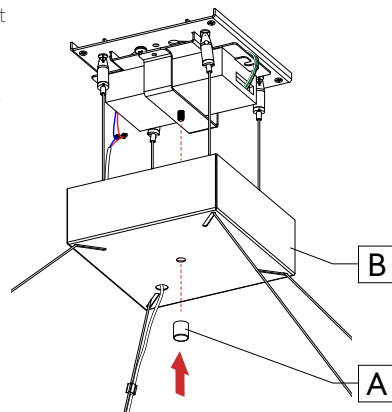
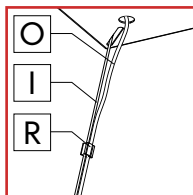
Secure the canopy driver [D] with screw [Q].



#### 6 REINSTALL CANOPY.

Secure the power cord [O] to the aircraft cable [I] with plastic clip [R].

Put the canopy [B] back in place and fix using the decorative nut [A].



# RIM

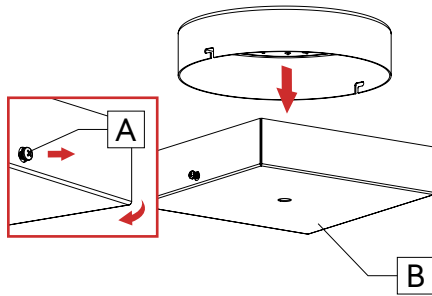
## Pendant - Square Canopy Driver Box (SCD) - Single Canopy



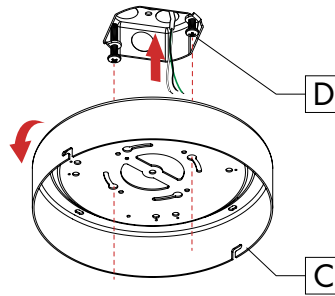
### STEM

#### 1 PREPARE MOUNTING POINTS.

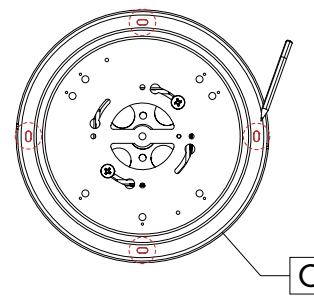
Slightly loosen the screws [A] on the side of the canopy [B]. Remove the canopy [B].



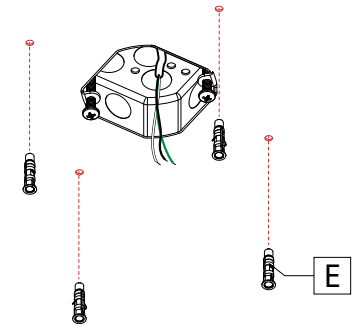
Fix the mounting plate [C] to the junction box [D].



Use the mounting plate [C] as a model to mark 4 holes.



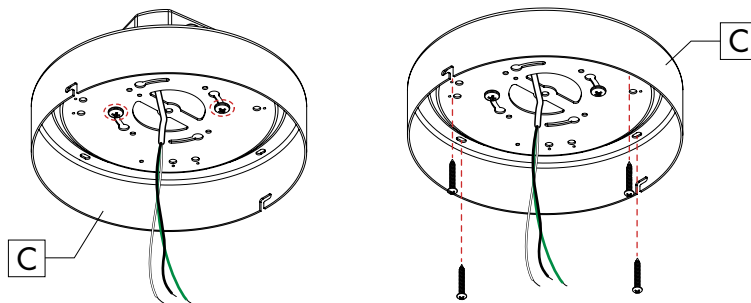
Remove the mounting plate. Drill holes (Ø 1/4") following the red marks. Install #8 drywall anchors [E].



#### 2 FIX MOUNTING PLATE TO CEILING.

Tighten the two screws to secure the mounting plate [C] to the junction box.

Use #8 screws to fasten the mounting plate [C] to the ceiling.

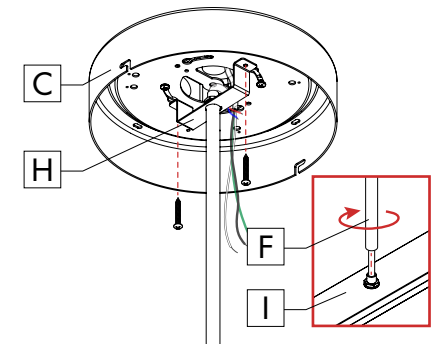
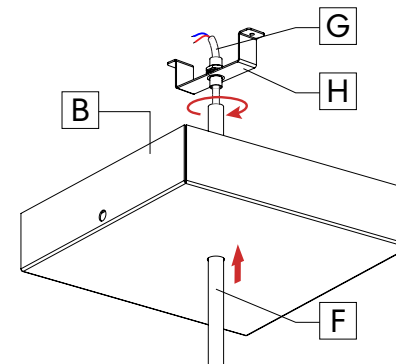


#### 3 INSTALL STEM.

Slide the canopy [B] over the stem [F]. Pass the power cord [G] through the stem [F] and the stem bracket [H]. Mount the stem [F] on the stem bracket [H].

Install the stem bracket [H] on the mounting plate [C] with screws.

Screw the stem [F] on the fixture [I].



# RIM

## Pendant - Square Canopy Driver Box (SCD) - Single Canopy



### STEM

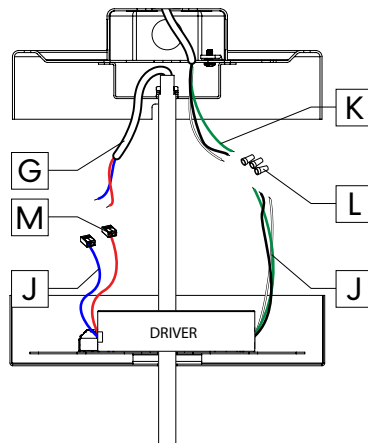
#### 4 MAKE ELECTRICAL CONNECTIONS.

Make electrical connections between the driver [J] and the main power [K] with wire nuts [L] (by others).

Make electrical connections between the power cord [G] and the driver [J] using quick connectors [M].

**Note:** Connect the green wire to your ground wire.

**Note:** Number of wires may vary.



#### 5 REINSTALL CANOPY PLATE.

Put the canopy [B] back in place turn to fix it.

Secure the canopy [B] onto the mounting plate [C] by tightening the two screws [A] on the sides.

