

RIZE

RECESSED LIGHT FOR HEALTH CARE



Project: _____
Type: _____



Rize offers multi-function lighting with ambient, exam, and reading illumination from a pair of recessed luminaires. The pair of Rize luminaires operate in a master and satellite configuration. Each lighting function can satisfy the illuminance recommendations of ANSI-IES RP29-16. Optional BIOS SkyBlue™ technology provides a biologically optimized light spectrum that supports both circadian stimulus and visual diagnosis. The compact and durable construction, combined with multiple light source and control options makes Rize particularly well suited to today's healthcare patient rooms.



Performance

FUNCTIONS	LM	W	LM/W
Exam+Ambient	14,600	115	127
Ambient	6000	45	134
Reading	2087	28	75

NON-IC RATED

Calculation with 2 x 4' fixtures, 90+ CRI, 3500K - In a room: H: 9' x W: 10' x D: 10'; 2'8" Spacing

When specifying a Rize fixture, one (1x) Rize fixture is required per bed. Each Rize fixture consists of two luminaires, a master and a satellite, that are delivered and installed as a pair (as shown in the image).

Code

LUMINAIRE ID	LENGTH	LIGHT SOURCE	CRI	EXAM (2 FIXTURES) ⁷	AMBIENT (2 FIXTURES) ⁹	READING FUNCTION
	4FT					
RIZD - Rize RIZSD ¹ - Rize Seal	4FT - 4'	SW - Static white FS - Full spectrum static white BIOSST ^{2,3} - BIOS Biological Static BIOSDY ^{2,3} - BIOS Biological Dynamic BIOSTU ^{2,3} - BIOS Biological Tunable	80CRI ⁴ - 80+ CRI 90CRI ^{4,5} - 90+ CRI 95CRI ⁶ - 95+ CRI	EX1 ⁸ - High output 14,600 lm (with AMB1) EX2 - Medium output 12,600 lm (with AMB2) EX3 - Low output 11,400 lm (with AMB3)	AMB1 ¹⁰ - High output 6000 lm AMB2 - Medium output 4000 lm AMB3 - Low output 2800 lm	RZZ() ^{11,12} - Rize 2 reading function NA - None
¹ IP54 rated with Rize Seal option.		² When specified with the reading function, the reading light is not available with BIOS. ³ See page 5 for details.	⁴ Not available with full spectrum. ⁵ Not available with BIOS. ⁶ Only available with full spectrum.	⁷ Lumen output reduced with BIOS and full spectrum, please consult factory. ⁸ Meets RP29-16 in static white only.	⁹ Lumen output reduced with BIOS and full spectrum, please consult factory. ¹⁰ Meets RP29-16 in static white only.	¹¹ Not available with Rize Seal. ¹² To specify, see code and example below.

FUNCTION CONTROL ¹³	COLOR TEMP.	VOLTAGE	MOUNTING	FINISH	OPTIONS ¹⁷
INDEPENDENT FUNCTION CONTROL DI - 1% 0-10V (Ambient + reading dimmable. Exam on/off control) DA ¹⁴ - DALI LDE1 ¹⁴ - Lutron Hi-lume 1% Eco ELD1 - eldoLED 1% ECOdrive 0-10V ELDO - eldoLED 0.1% SOLOdrive 0-10V	27K ¹⁶ - 2700K 30K - 3000K 35K - 3500K 40K - 4000K 50K ¹⁶ - 5000K	120V - 120V 277V - 277V	TG9 - Tegular 9/16" TG15 - Tegular 15/16" TB9 - T-bar 9/16" TB15 - T-bar 15/16" ST - Screw slot T-bar DTR - Trim DTL - Trimless DMF - Drywall mud flange	W - Matte white AL - Aluminum WA - White Antimicrobial Silverwerx CF# - Custom finish, specify RAL#	CP - Chicago Plenum GGK - Grid gasket NA - None
LOW VOLTAGE CONTROL ¹⁵ LVC2# - Individual or sequential control for 2 functions LVC3# - Individual or sequential control for 3 functions	¹⁶ Not available with BIOS.				¹⁷ Separate codes with a "+" if more than one is specified.

Optional Reading Function (Example: RZZ(SW-28W-40DEG-2STP-80CRI-35K))

READING LIGHT ID	LIGHT SOURCE	WATTAGE (2 FIXTURES)	BEAM	COLOR QUALITY	CRI	COLOR TEMP.
RZZ						
RZZ - Rize 2	SW - Static white	28W - 28 W output, up to 2275 lm	30DEG - 30° Narrow flood 40DEG - 40° Flood	2STP - 2-Step MacAdam Ellipse	90CRI - 90+ CRI 80CRI - 80+ CRI 95CRI - 95+ CRI	27K - 2700K 30K - 3000K 35K - 3500K 40K - 4000K 50K - 5000K
	RED - Red, 620 nm	4W - 4 W	30DEG - 30° Narrow flood 40DEG - 40° Flood	NA - Not applicable	NA - Not applicable	NA - Not applicable
	SOLA ¹⁸ - Dim-to-warm single channel control 35K to 22K	26W - 26 W output, up to 1508 lm	40DEG - 40° Flood	3STP - 3-Step MacAdam Ellipse	90CRI - 90+ CRI	SOLA - Dim-to-warm single channel control 35K-22K

3737 Cote Vertu St-Laurent, Quebec, Canada H4R 2C9
T (514) 225-4304 F (514) 931-4862
www.lumenwerx.com

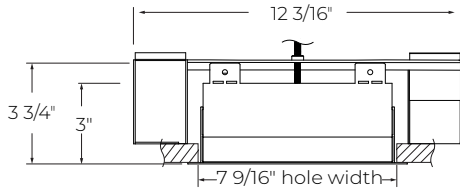


Lumenwerx reserves the right to modify product specifications without notification.
© Lumenwerx, ULC. All rights reserved.
RIZE-SPEC-REV6 January 12, 2026

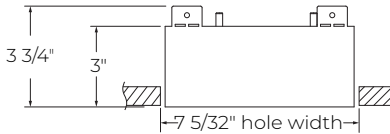


Dimensions

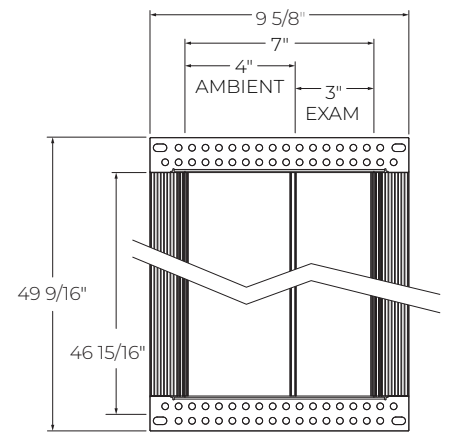
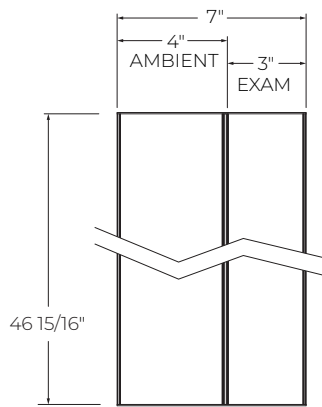
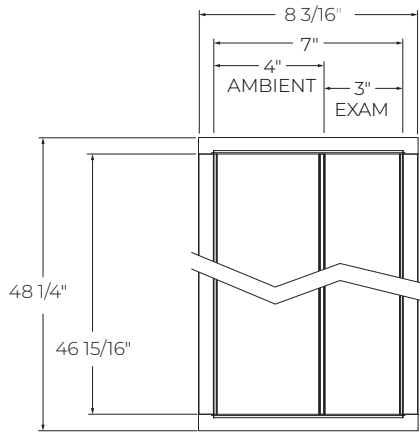
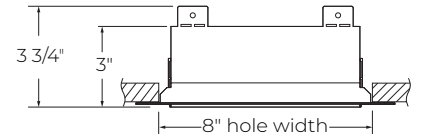
TRIM



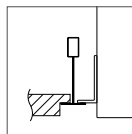
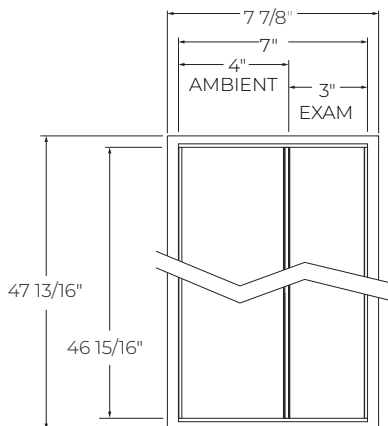
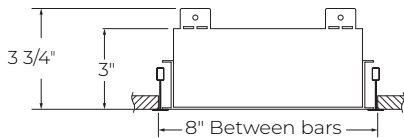
TRIMLESS



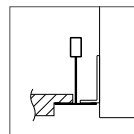
DRYWALL MUD FLANGE



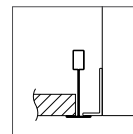
GRID



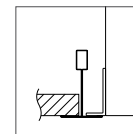
TC9
Tegelular 9/16"



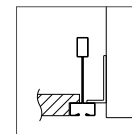
TC15
Tegelular 15/16"



TB9
T-bar 9/16"



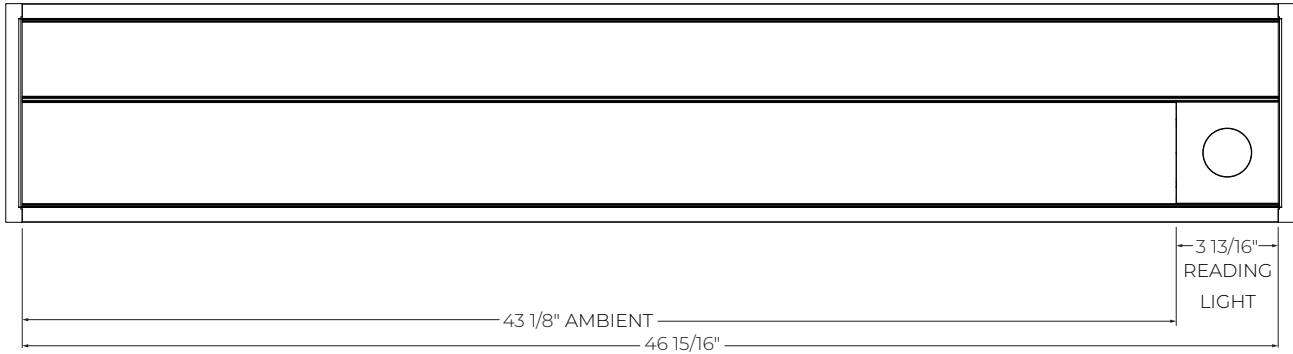
TB15
T-bar 15/16"



ST
Screw slot T-bar

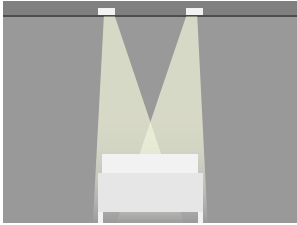
Dimensions

READING FUNCTION

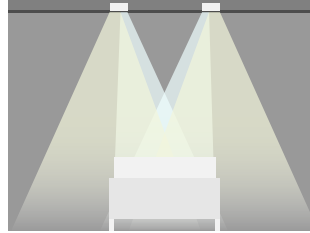
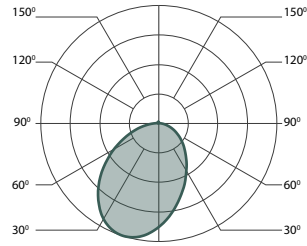


Photometry

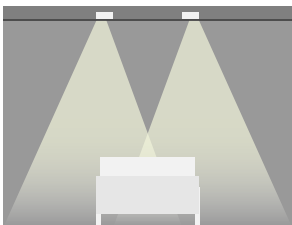
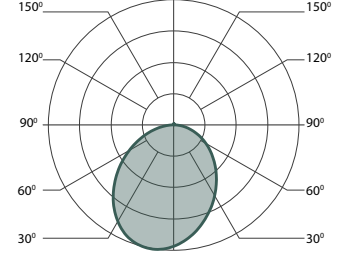
Light distribution shows the right side fixtures only.



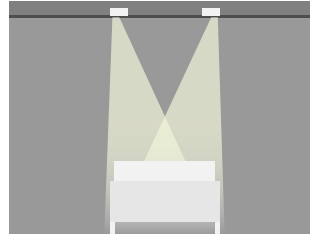
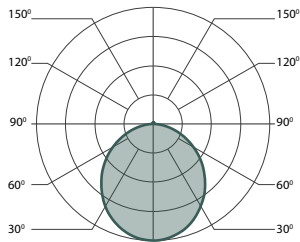
Exam
No dimming



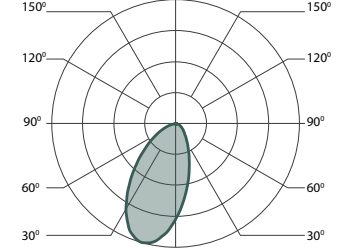
Exam HO (Exam + Ambient)
No dimming



Ambient
Dimmable

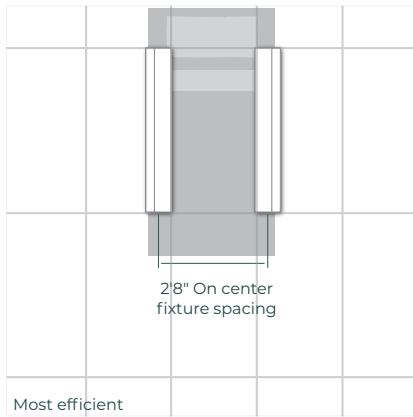


Reading
Dimmable

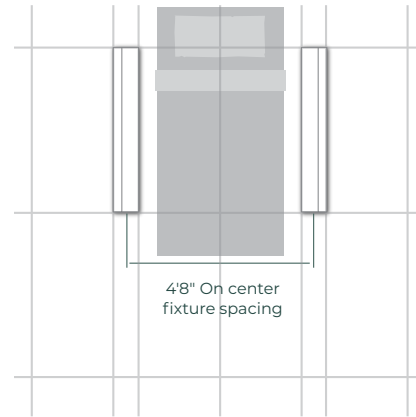


PATIENT ROOM

10' x 10' room, 9' ceiling, 3'x6' bed against the wall



2'8" spacing



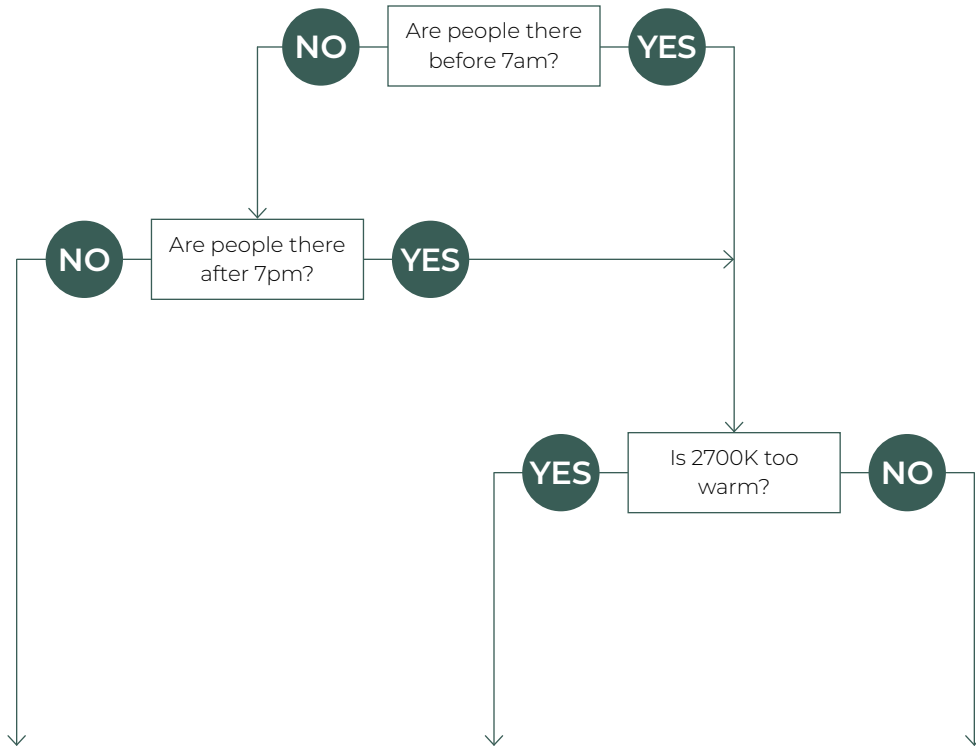
4'8" spacing

FUNCTION	LUMEN OUTPUT	AVG. ILLUMINANCE	UNIFORMITY (AVG:MIN)
EXAM HO (EXAM+AMBIENT)	14,600 lm	107 fc	1.47 : 1
EXAM	8600 lm	65 fc	1.47 : 1
AMBIENT	6000 lm	46 fc	1.46 : 1
READING	2000 lm	40 fc	1.27 : 1

Calculation with 4' fixture, 90+ CRI, 3500K, 6' from floor In a room : H: 9' x W: 10' x D: 10'

BIOS

Three BIOS Circadian LED solutions are offered – Biological Static, Biological Dynamic, and Biological Tunable. Use the decision tree below to identify when and where to use BIOS Wellness LED Lighting Solutions.



Biological Static BIOSST	Biological Dynamic BIOSDY	Biological Tunable BIOSTU
No CCT change when dimmed	500K shift when dimmed	Dims to 2700K
Daytime solution	Daytime + evening solution	Daytime + evening solution
Spaces in operation during daytime hours, between 7am and 7pm	Spaces in operation overnight, after 7pm and before 7am, and when CCT color shift in the evening is not preferred	Suitable for spaces in operation overnight, after 7pm and before 7am, and where people do not sleep (CCT color shift in the evening is preferred)
E.g. offices, medical/dental offices	E.g. hospitals	E.g. offices, shiftwork

Technical Specifications

OPTICS

The ambient function is lensed with a High-Efficiency Lambertian Optic (HLO) while the exam function is lensed with a ribbed High-Efficiency Lambertian Optic (HLO). The reading function employs innovative HyFlex™ optics for precise beam control.

LIGHT SOURCE

Static white

Mid flux LEDs with a CRI of 80+ are standard in static white. Optional BIOS LEDs can be incorporated in the fixture to increase Cyanosis Observation Index (COI) and assist in regulating circadian rhythms. 90+ CRI and other high range TM-30-18 sources are also available upon request by consulting the factory. Static white LEDs have been tested in accordance with IESNA LM-80-08 and the results have shown L80 lumen maintenance greater than 60,000 hours.

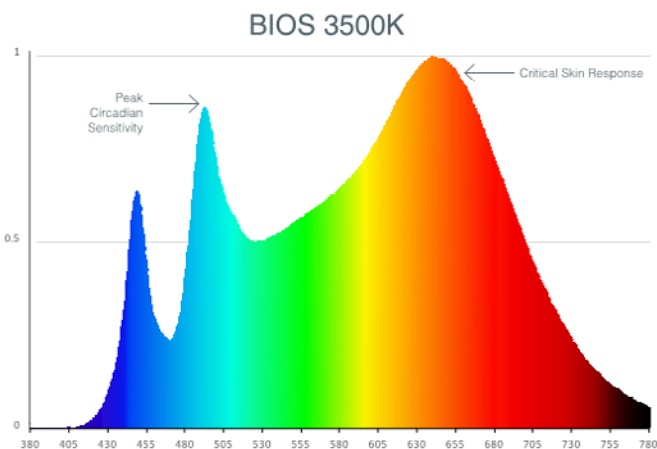
Full spectrum static white

The full spectrum LED option offers improved color particularly in the cyan region that is beneficial in both healthcare and circadian lighting strategies. The cyan region in full spectrum LED is richer at the 480 nm range.

BIOS

The SkyBlue™ Technology option with Rize provides a modified white LED spectrum with peak intensity in the "sky blue" region (490 nm) to align better with the peak circadian stimulus. This can help regulate sleep/wake cycles and alertness.

The enhanced deep-red spectrum (near 660 nm) can improve visual diagnosis and treatment of a range of ailments, including more accurate vein delineation, essential for detecting cyanosis and administering medication.



Three BIOS solutions are offered: BIOS Biological Static (BIOSST), BIOS Biological Dynamic (BIOSDY), and BIOS Biological Tunable (BIOSTU). See page 5 for details.

FUNCTION CONTROL

The fixture offers a variety of controls:

- Wall multi-function switches supplied by others
- Patient pillow switch supplied & low voltage wall control (with LVC options)

Independent control

On/off control of each load - dimming available for dimmable loads.

Low voltage control

The low voltage controller (LVC) option allows control of the luminaire functions from a patient pillow switch, bed side rail, or wall switch with normally open momentary dry contacts. Depending on the number of modes to be controlled, various control options are available.

Low voltage control (LVC) schemes		Reading	Exam	Ambient
2-function LVC2	LVC21		I	SM
	LVC22		I	ST
	LVC23		I	I
	LVC24		SQ	SQ
3-function LVC3	LVC31	ST	I	ST
	LVC32	SM	I	SM
	LVC33	I	I	I
	LVC34	SQ	I	SQ
SM: Smooth dimming		SQ: Sequential		
I: On/Off control		ST: Step dimming		
The number of functions specified must coincide with the functions for the low voltage control scheme.				

RIZE

RECESSED LIGHT FOR HEALTH CARE



PoE

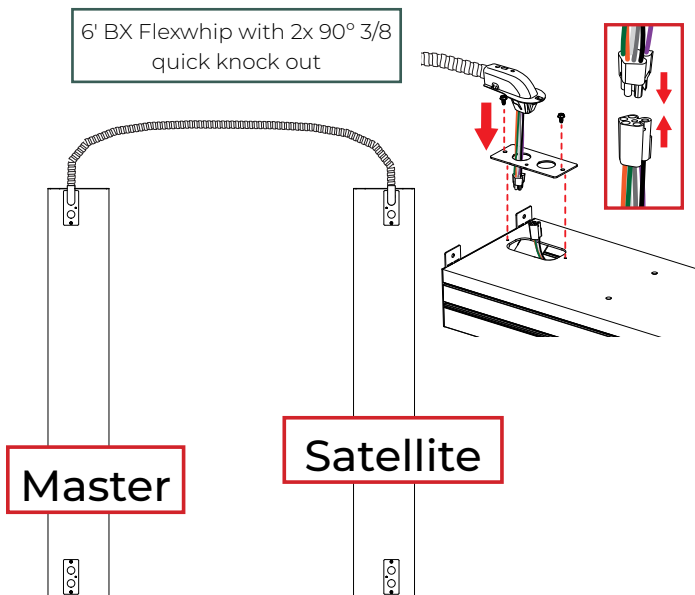
Depending on the PoE manufacturer selected, Lumenwerx will install the node in factory as either integral to the luminaire or as a remote module. Factory programming of the PoE node may or may not enable the following functionalities: lumen package, DUO (tunable white), QUADRO (RGBW), emergency battery backup, and sensor integration. These must be addressed and evaluated on a case-by-case basis.

ELECTRICAL

The Rize comes with a master and satellite configuration. Power comes into the master housing and a low voltage quick connect is used to attached the satellite housing.

The low voltage cable connecting the master and satellite fixture is a 6' BX Flexwhip with 2 times 90° 3/8 quick knock out.

Each function is separately controlled with onboard drivers. Reading and Ambient functions come standard with constant-current drivers dimmable to 1% with 0-10V dimming control and high power factor. The Exam function utilizes a non-dimmable, constant current driver with high power factor. Fixtures can also be configured to employ a low-voltage controller (LVC) or additional control options subject to factory approval.



MOUNTING

Recessed fixtures can be mounted into exposed or concealed T-bar or tegular ceiling, as well as in ceilings with trim, trimless, or mud flange options.

FINISH

Matte white, aluminum, or white antimicrobial Silverwerx powder coating. Custom finishes are also available.

CONSTRUCTION

Housing (RIZD): Extruded aluminum

Housing (RIZSD): IP54 rated extruded aluminum housing sealed with a gasketed lens for extra protection.

End caps: Aluminum

Reflector: 98% reflective, white painted aluminum

Grid gasket (GGK option): 1/16" closed-cell silicone foam, assures a better seal between the fixture and the grid.

LENGTH

The fixture has a standard length of 4'.

WEIGHT

30 lbs - 13.6 kg

CERTIFICATIONS

ETL: Rated for indoor dry/damp locations. Conforms to UL Standard 1598 and certified to CAN/CSA Standard C22.2 No. 250.0.

Chicago Plenum: City of Chicago Approved (CCEA) when specified with CP option.

WARRANTY

Lumenwerx provides a five-year limited warranty on electrical and mechanical performance of the luminaires, including the LED boards, drivers, and auxiliary electronics. Lumenwerx will repair or replace defective luminaires or components at our discretion, provided they have been installed and operated in accordance with our specifications. Other limitations apply, please refer to the full warranty on our website.