

SHALO ULTRA 2 - 3 - 5

Surface - Universal / Grid



! This product must be installed in accordance with the National Electrical Code and all applicable local codes, by a person familiar with the construction and operation of the product, and the hazards involved. Proper grounding is required for safety.

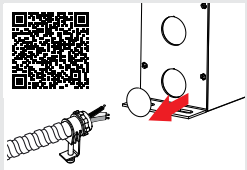
Ce produit doit être installé suivant le code national de l'électricité, ainsi que tous les codes locaux applicables, par une personne familière avec la construction et le fonctionnement du produit, ainsi que tous les risques qui y sont associés. La mise à terre électrique est obligatoire pour la sécurité.

! Wire dimming conductors as Class 1.

💡 For electrical connections, please refer to the [wiring diagram guide](#).



💡 For remote driver box, please refer to the [remote driver installation sheet](#) for more information.

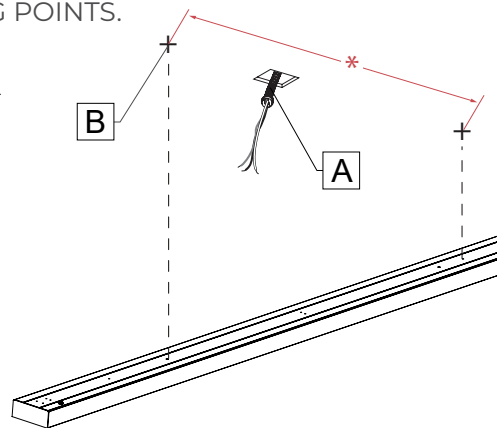


SINGLE FIXTURE

1 LOCATE MOUNTING POINTS.

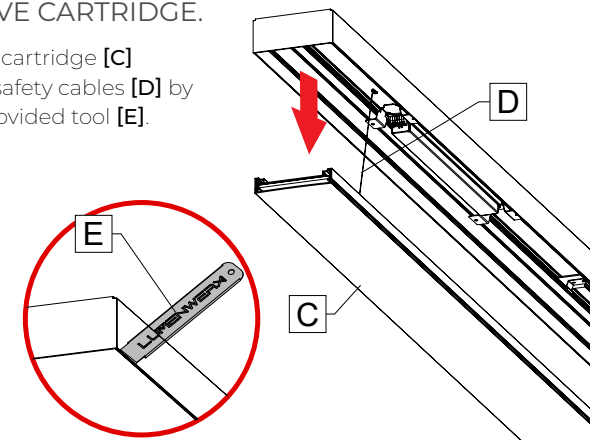
Caution: Make sure the electrical power is turned off.

Locate main power [A] and mounting points [B] in the ceiling according to the dimensions [M] given in the client drawings.



2 REMOVE CARTRIDGE.

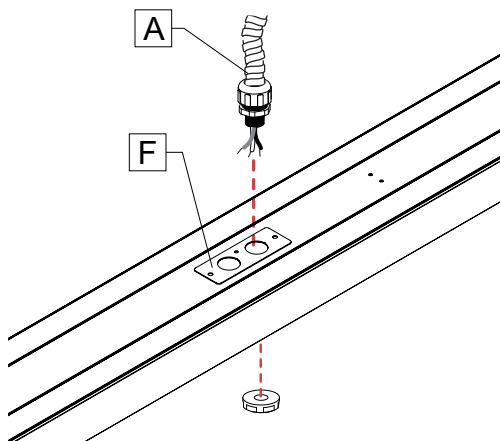
Remove the cartridge [C] retained by safety cables [D] by using the provided tool [E].



3 INSTALL MAIN POWER CABLE.

INTEGRAL DRIVER

Pass the main AC power cable [A] (by others) through the power plate [F] and install it.



REMOTE DRIVER

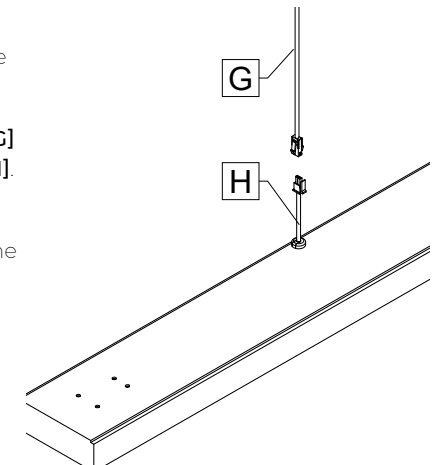
Connect the main AC power cable to the remote driver box.

Then, connect the remote driver box DC cable [G] to the fixture using the provided wire harness [H].

Note: A jumper cable (by others) might be necessary between the remote driver box and the fixture.



For remote driver box, please refer to the [remote driver installation sheet](#) for more information.



SHALO ULTRA 2 - 3 - 5

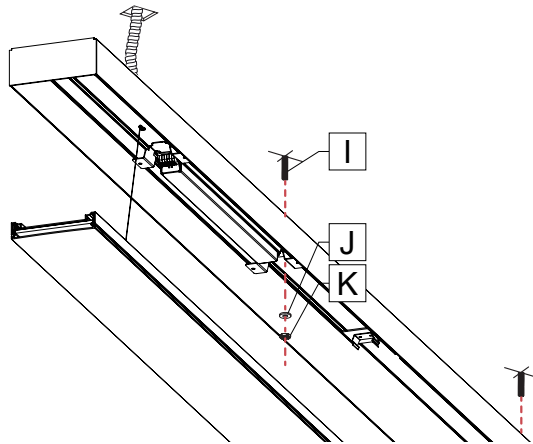
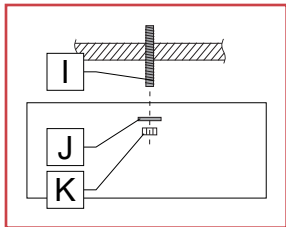
Surface - Universal / Grid

4 FASTEN FIXTURE.

UNIVERSAL CEILING

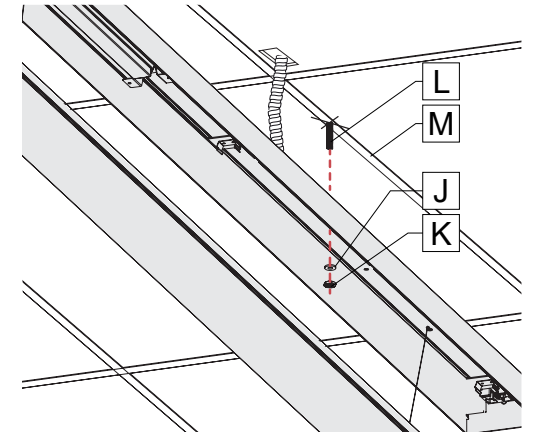
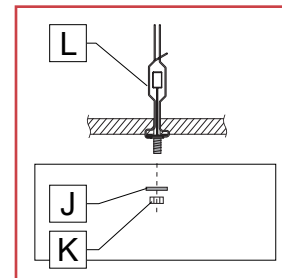
Fasten the fixture to threaded rods [I] by using washers [J] and nuts [K].

Note: If no threaded rods are present, the fixture can be screwed directly onto the ceiling.



GRID CEILING

Fasten fixture to caddy clips [L], onto the T-bars [M] of the grid ceiling, by using washers [J] and nuts [K].



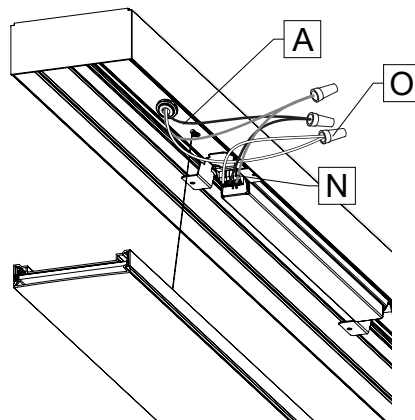
5 MAKE ELECTRICAL CONNECTIONS.

INTEGRAL DRIVER

Make electrical connections between the main power cable [A] and fixture cable [N] using wire nuts [O] (by others).

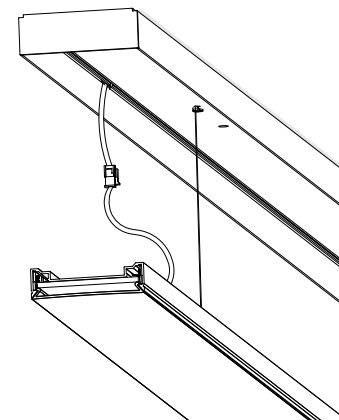
Note: Number of wires may vary.

Warning: A luminaire with more than one power supply connection means shall be connected to only one branch circuit.



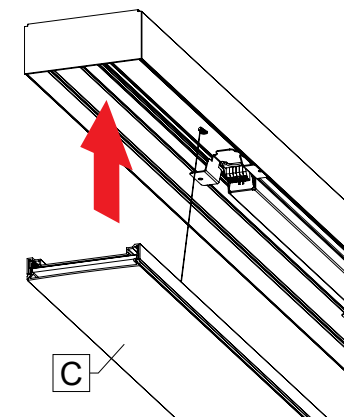
REMOTE DRIVER

The DC connections are already made inside. Skip to step 6.



6 REINSTALL CARTRIDGES.

Reinstall the cartridges [C] back in place.



SHALO ULTRA 2 - 3 - 5

Surface - Universal / Grid



CONTINUOUS RUN

1 FOR A CONTINUOUS RUN, FOLLOW STEPS **1** TO **5** FROM THE SINGLE FIXTURE INSTRUCTIONS FOR THE FIRST FIXTURE, THEN:

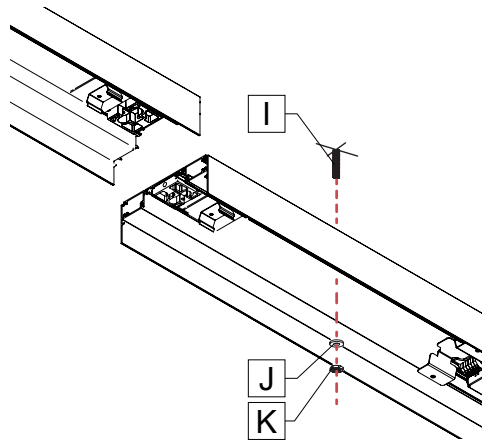
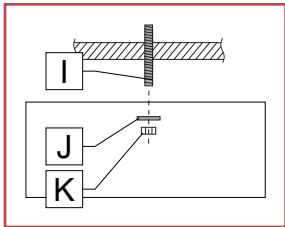
2 FOLLOW STEP **2** FROM THE SINGLE FIXTURE INSTRUCTIONS FOR ALL FIXTURES IN THE RUN, THEN:

3 FIX THE NEXT FIXTURE TO CEILING.

UNIVERSAL CEILING

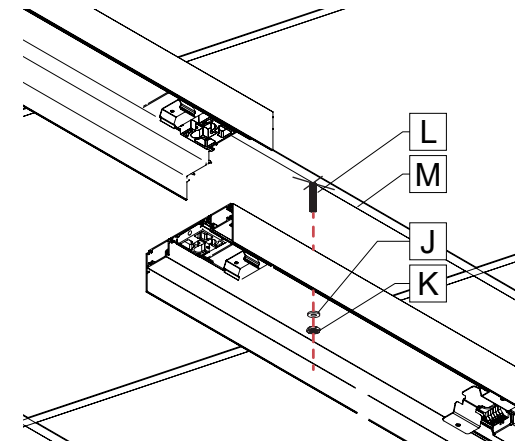
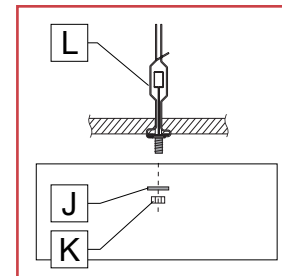
Fasten the next fixture to the threaded rods [I] by using washers [J] and nuts [K].

Note: If no threaded rods are present, the fixture can be screwed directly onto the ceiling.



GRID CEILING

Fasten the next fixture to caddy clips [L], onto the T-bars [M] of the grid ceiling, by using washers [J] and nuts [K].

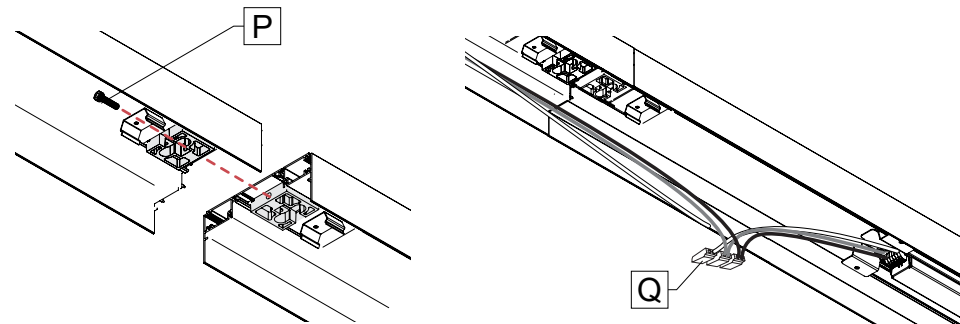


4 CONNECT AND JOIN FIXTURES.

Join the fixtures with the screw [P] to pull the fixtures together.

Connect wires between joining fixtures using quick connectors [Q]. Push wires inside the fixture.

Note: Number of wires may vary.



SHALO ULTRA 2 - 3 - 5

Surface - Universal / Grid

5 REPEAT STEPS **3** TO **4** FOR ALL FIXTURES IN THE RUN.

6 REINSTALL CARTRIDGES.

Reinstall the cartridges **[C]**
back in place.

