

SHALO ULTRA PERIMETER Grid



This product must be installed in accordance with the National Electrical Code and all applicable local codes, by a person familiar with the construction and operation of the product, and the hazards involved. Proper grounding is required for safety.

Ce produit doit être installé suivant le code national de l'électricité, ainsi que tous les codes locaux applicables, par une personne familière avec la construction et le fonctionnement du produit, ainsi que tous les risques qui y sont associés. La mise à terre électrique est obligatoire pour la sécurité.



Wire dimming conductors as Class 1.



Fixtures with an output of 1000 lm/ft or higher must not be installed in IC conditions.



Shown with shallow option and applicable to level and deep options.



For electrical connections, please refer to the [wiring diagram guide](#).

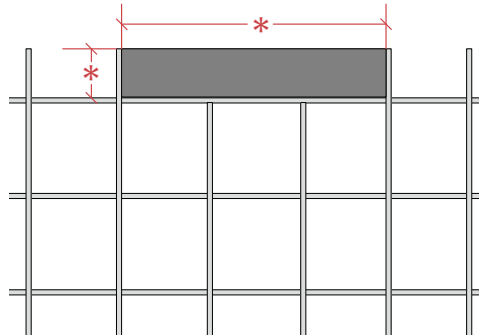


SINGLE FIXTURE

1 PREPARE MOUNTING LOCATION.

Prepare the area and remove ceiling tiles where the fixture is going to be installed as well as the adjacent tiles for easy access during installation.

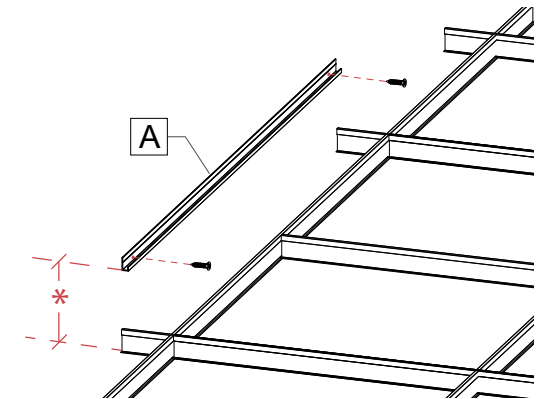
Locate J-rail position [*] using provided client drawing.



2 INSTALL J-RAIL.

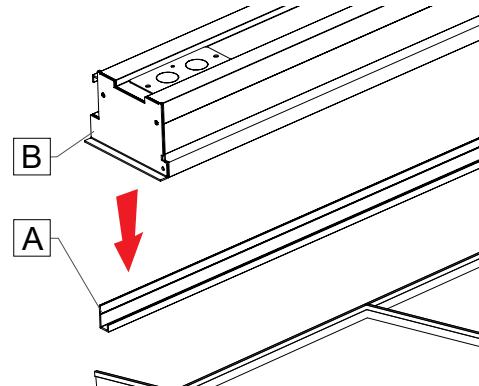
Locate the J-rail [A] height position according to the client drawing.

Install the J-rail [A], align with structural stud or use drywall anchors when needed.



3 DROP FIXTURE INTO J-RAIL.

Place and hook the fixture [B] in the J-rail [A].

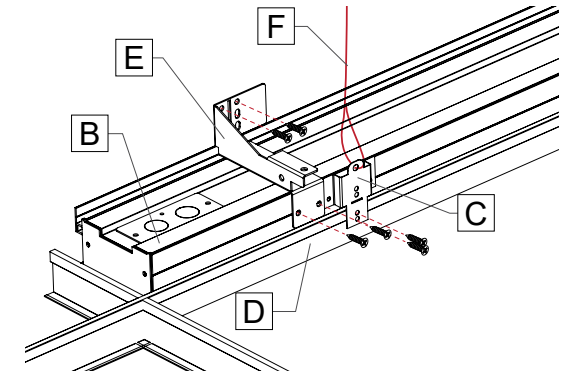


4 SECURE FIXTURE.

Screw all the T-bar brackets [C] to the fixture [B] and to the T-bar [D] (screws by others).

Secure the wall brackets [E] to the fixture [B]. Then, secure the fixture [B] in place by screwing the wall brackets [E] to the wall (screws by others).

Attach safety wires [F] to the tabs of the T-bar brackets [C].



SHALO ULTRA PERIMETER Grid

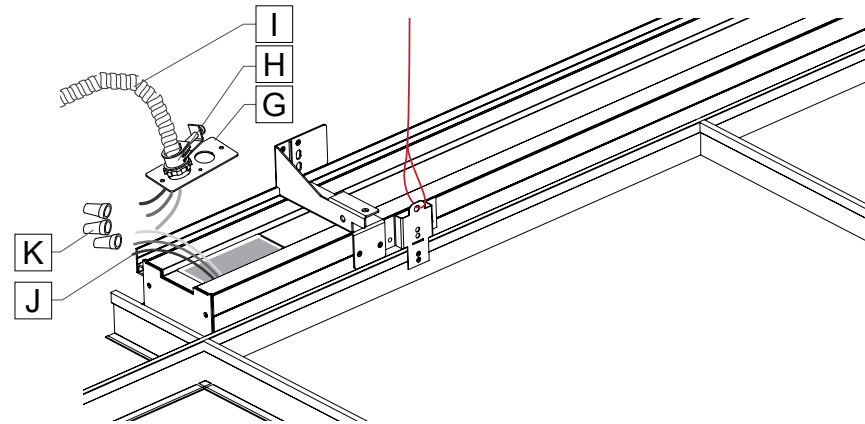
5 MAKE ELECTRICAL CONNECTIONS.

Caution: Make sure the electrical power is turned off.

Remove power plate [G] from fixture and install cable connector [H] (by others) and main power [I] (by others) through the power plate. Tighten cable connector screw. Connect cables from the main power to the fixture wires [J] using wire nuts [K]. Reinstall the power plate.

Note: Number of wires may vary.

Warning: A luminaire with more than one power supply connection means shall be connected to only one branch circuit.

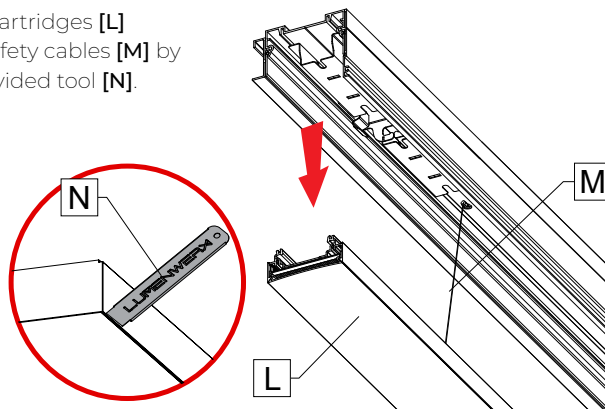


CONTINUOUS RUN

1 FOR A CONTINUOUS RUN, FOLLOW STEPS **1** AND **2** FROM THE SINGLE SECTION FOR ALL FIXTURES IN THE RUN, THEN:

2 REMOVE CARTRIDGES.

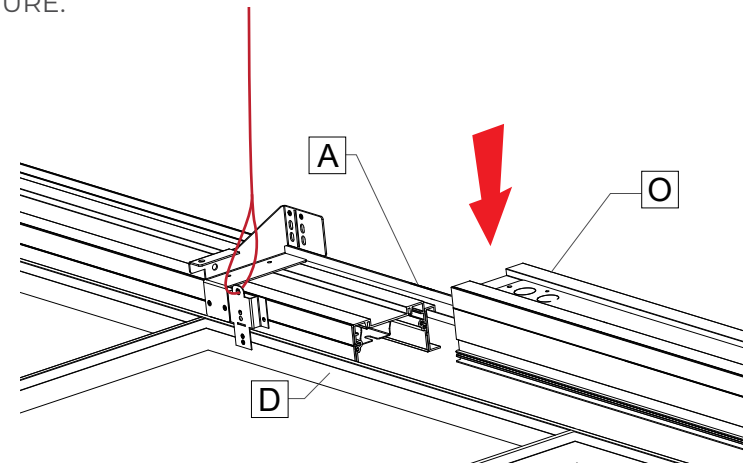
Remove the cartridges [L] retained by safety cables [M] by using the provided tool [N].



3 FOLLOW STEPS **3** TO **5** FROM THE SINGLE SECTION FOR THE FIRST FIXTURE, THEN:

4 DROP THE NEXT FIXTURE.

Raise the next fixture [O] of the run above the ceiling and lower onto the T-bar [D] and the J-rail [A].

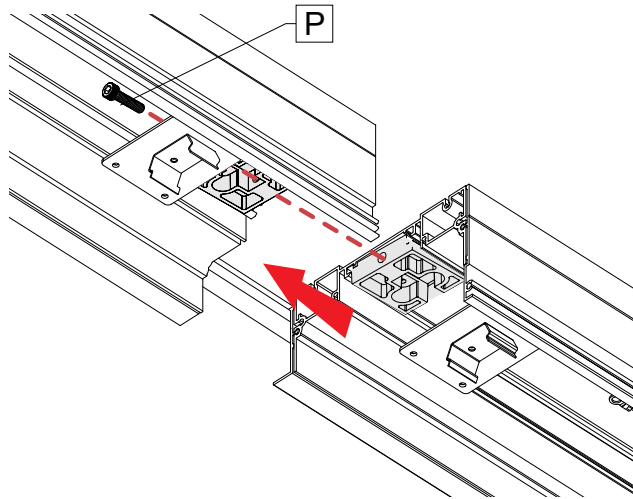


SHALO ULTRA PERIMETER

Grid

5 CONNECT AND JOIN FIXTURES.

Join the fixtures with the screw [P] to pull the fixtures together.

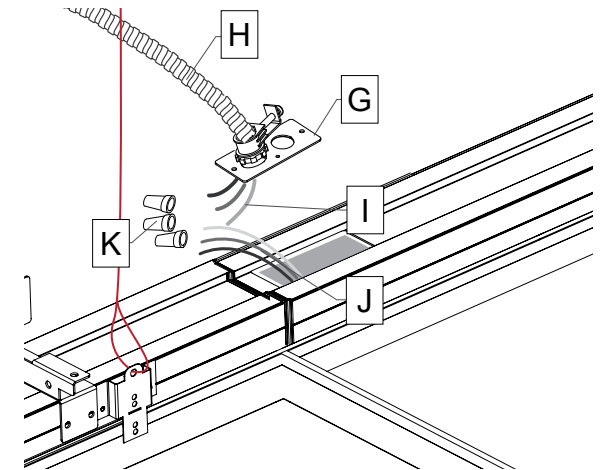


6 MAKE ELECTRICAL CONNECTIONS.

Remove power plate [G] from fixture and install cable connector [H] (by others) and main power [I] (by others) through the power plate. Tighten cable connector screw. Connect cables from the main power to the fixture wires [J] using wire nuts [K]. Reinstall the power plate.

Note: Number of wires may vary.

Warning: A luminaire with more than one power supply connection means shall be connected to only one branch circuit.

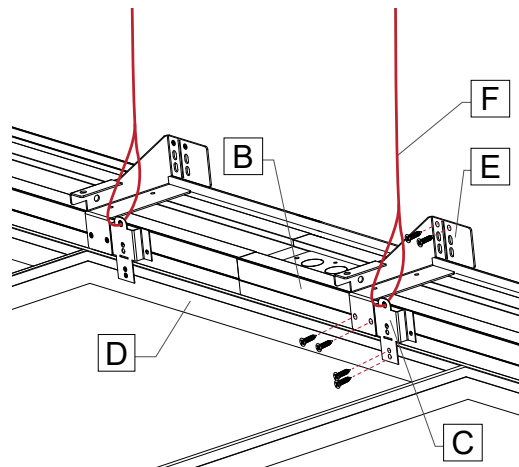


7 ATTACH SAFETY WIRES & SECURE THE FIXTURE.

Screw all the T-bar brackets [C] to the fixture [B] and to the T-bar [D] (screws by others).

Secure the wall brackets [E] to the fixture [B]. Then, secure the fixture [B] in place by screwing the wall brackets [E] to the wall (screws by others).

Attach safety wires [F] to the tabs of the T-bar brackets [C].



8 REPEAT CONTINUOUS STEPS 4 TO 7 FOR THE REST OF THE FIXTURES IN THE RUN.

9 REINSTALL CARTRIDGES.

Reinstall the cartridges [L] in the fixture.

