






SHALO ULTRA PERIMETER

Drywall Trim & Trimless

 This product must be installed in accordance with the National Electrical Code and all applicable local codes, by a person familiar with the construction and operation of the product, and the hazards involved. Proper grounding is required for safety.

Ce produit doit être installé suivant le code national de l'électricité, ainsi que tous les codes locaux applicables, par une personne familière avec la construction et le fonctionnement du produit, ainsi que tous les risques qui y sont associés. La mise à terre électrique est obligatoire pour la sécurité.

-  Wire dimming conductors as Class 1.
-  Fixtures with an output of 1000 lm/ft or higher must not be installed in IC conditions.
-  Shown with shallow option and applicable to level and deep options.

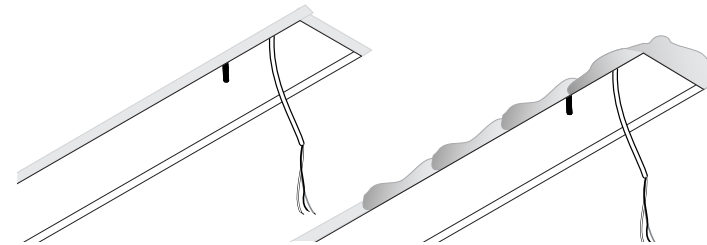
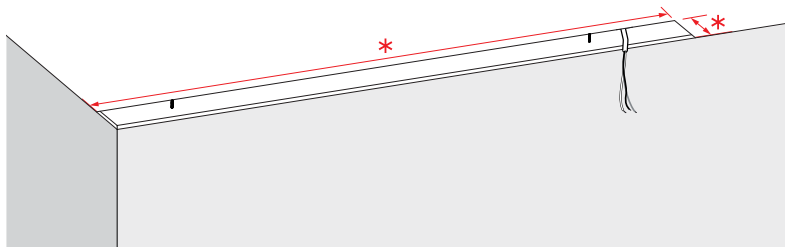
 For electrical connections, please refer to the [wiring diagram guide](#).



SINGLE FIXTURE

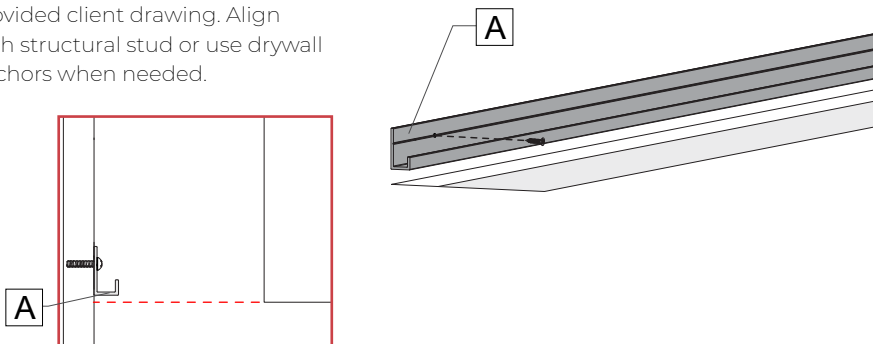
1 PREPARE THE CEILING.

Prepare the area and mark the mounting point location where the fixture is going to be installed according to the dimensions [M] in the client drawings. Tape and finish the edges of the drywall



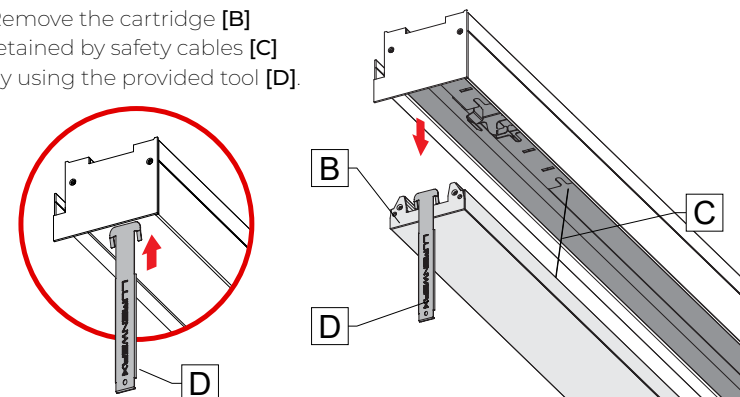
2 INSTALL J-RAIL.

Locate the J-rail [A] position using provided client drawing. Align with structural stud or use drywall anchors when needed.



3 REMOVE CARTRIDGE.

Remove the cartridge [B] retained by safety cables [C] by using the provided tool [D].



SHALO ULTRA PERIMETER

Drywall Trim & Trimless

4 MAKE ELECTRICAL CONNECTIONS.

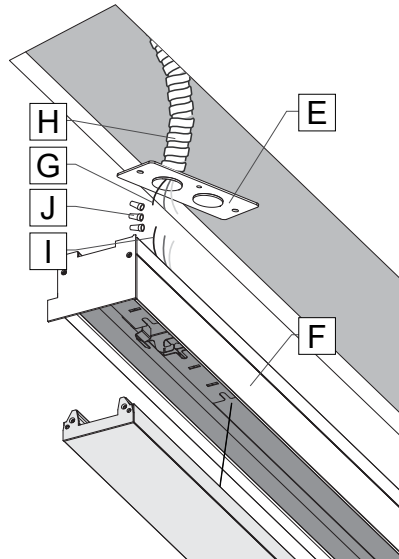
Caution: Make sure the electrical power is turned off.

Remove the power plate [E] from the fixture [F]. Pass the main power cable [C] (by others) through the cable connector [H] (by others), and install onto the provided power plate [E].

Make electrical connections between the main power cable [C] and fixture cable [I] using wire nuts [J] (by others). Reinstall the power plate [E] to the fixture.

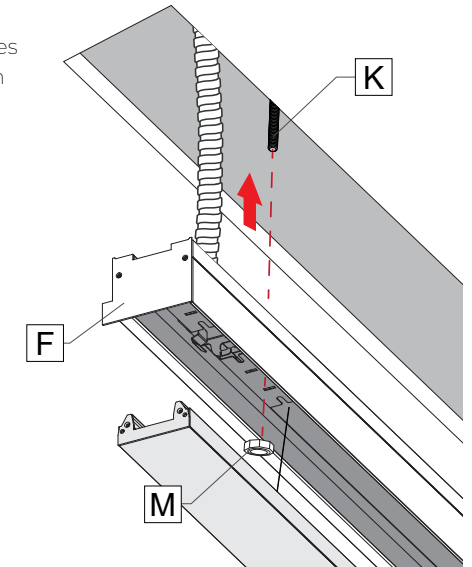
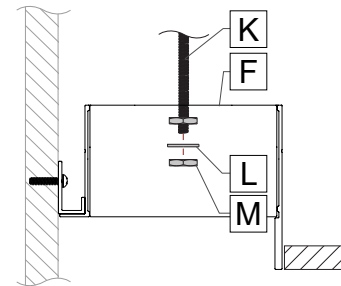
Note: Number of wires may vary.

Warning: A luminaire with more than one power supply connection means shall be connected to only one branch circuit.



5 SECURE FIXTURE ON ROD.

Insert the fixture [F] into pre-cut hole in drywall, aligning threaded rods [K] with holes in top of fixture. Put washers [L] and tighten nuts [M] to secure the fixture.



6 ADJUST & SECURE THE FIXTURE.

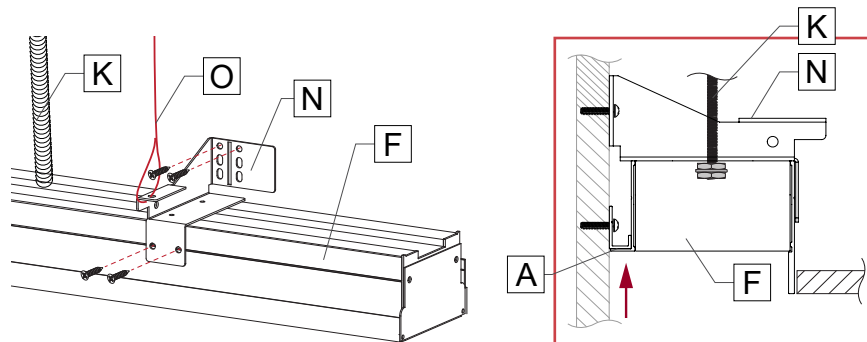
Adjust the fixture [F] with the threaded rods [K].

On wall side, the fixture must touch the J-rail [A].

OPTIONAL: Unfinished ceiling only

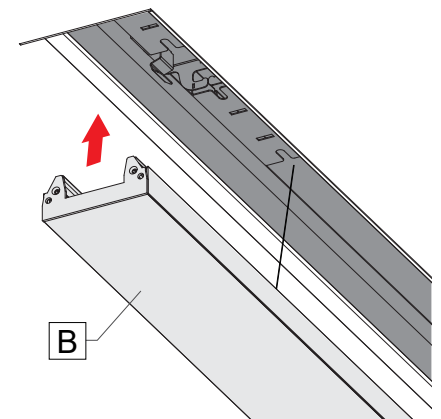
Screw the wall brackets [N] to the fixture. Then, secure the fixture [F] in place by screwing the wall brackets [N] to the wall (screws by others).

Attach safety wires [O] to the tabs of the wall brackets.



7 REINSTALL CARTRIDGE.

Reinstall the cartridge [B] back in the fixture.



SHALO ULTRA PERIMETER

Drywall Trim & Trimless



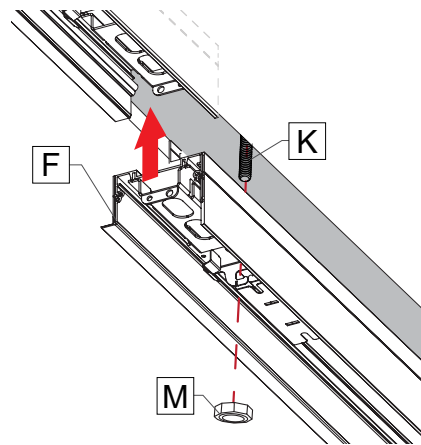
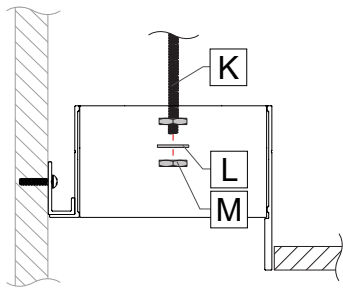
CONTINUOUS RUN

1 FOR A CONTINUOUS RUN, FOLLOW STEPS **1** TO **3** FROM THE SINGLE SECTION FOR ALL FIXTURES IN THE RUN, THEN:

2 FOLLOW STEPS **4** TO **6** FROM THE SINGLE SECTION FOR THE FIRST FIXTURE, THEN:

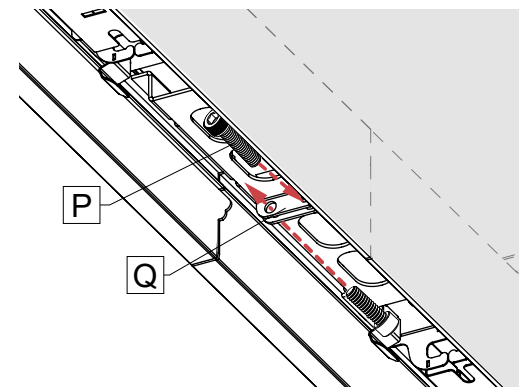
3 INSTALL THE NEXT FIXTURE.

Insert the next fixture into pre-cut hole in drywall, aligning threaded rods **[K]** with holes in top of fixture **[F]**. Put washers **[L]** and tighten nuts **[M]** to secure the fixture.



4 JOIN FIXTURES.

Attach the two fixtures by fastening screws **[P]** on the joiners **[Q]**.



5 REPEAT CONTINUOUS RUN STEPS **3** AND **4** FOR THE REST OF THE FIXTURES IN THE RUN.

6 FOLLOW STEPS **6** AND **7** FROM THE SINGLE SECTION FOR ALL FIXTURES IN THE RUN.