

# SHELL 24 ROUND

RECESSED - INTEGRATED DRIVER - INST

LUMENWERX  
WWW.LUMENWERX.COM

**IMPORTANT :** Do not handle fixture by the wires during installation

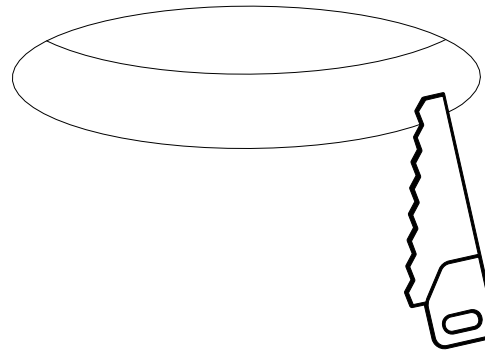
**NOTE:** Wire dimming conductors as Class 1



This product must be installed in accordance with the National Electrical Code and all applicable local codes, by a person familiar with the construction and operation of the product, and the hazards involved. Proper grounding is required for safety.

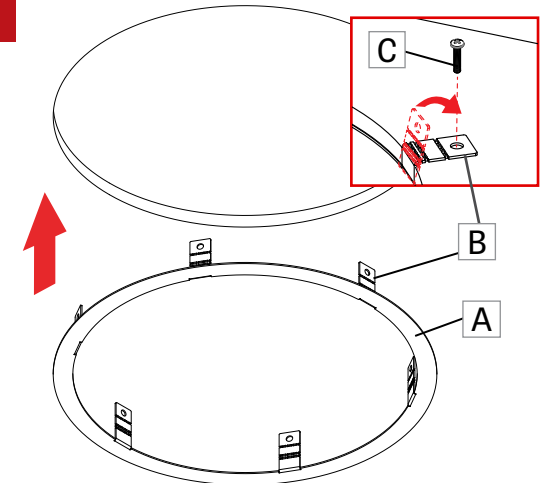
Ce produit doit être installé suivant le code national de l'électricité, ainsi que tous les codes locaux applicables, par une personne familière avec la construction et le fonctionnement du produit, ainsi que tous les risques qui y sont associés. La mise à terre électrique est obligatoire pour la sécurité.

1



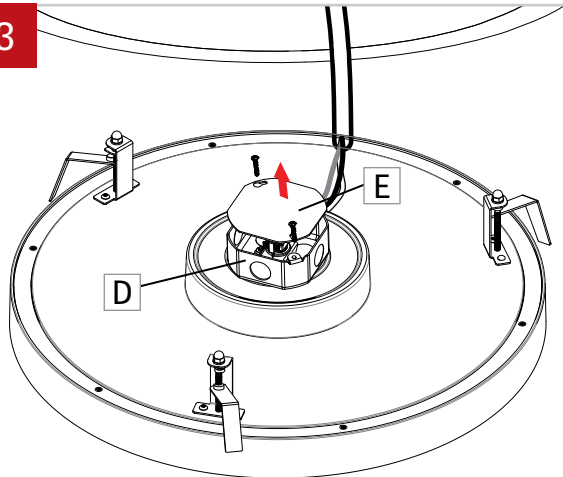
Prepare the area where the fixture is going to be installed. Cut the hole (24 1/16") in the drywall ceiling.

2



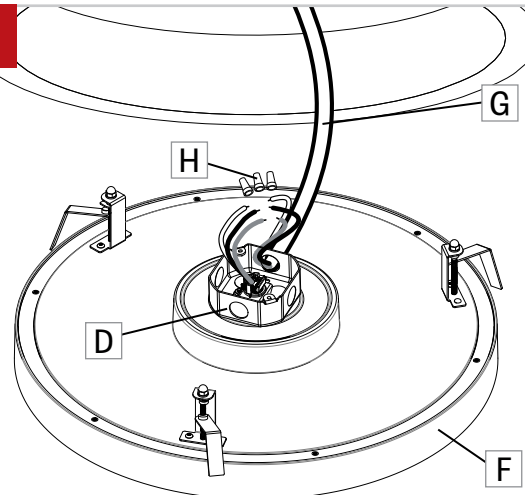
Install the ring (A) into the hole by bending the brackets (B) over the ceiling. Secure bent brackets with screws (C) on ceiling.

3



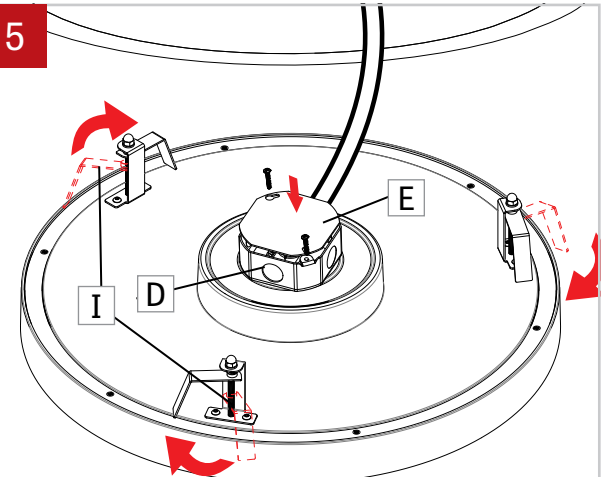
Open junction box (D) by removing junction box cover (E).

4



Make the electrical connection between the fixture (F) and main power cable (G) with marrettes (H) inside the junction box (D).

5



Close junction box (D) with junction box cover (E). Rotate the brackets (I) to stay above and inside of the fixture. **Do not let the fixture hang by the wires.**

# SHELL 24 ROUND

RECESSED - INTEGRATED DRIVER - INST

