



The Slight collection comprises miniature linear luminaires equipped with a remote driver. Slight fixtures deliver precise, glare-controlled illumination, ensuring exceptional visual comfort. They are suitable for drywall, grid, and wood slat ceiling applications.

SENSORS
For latest information on sensors, click [here](#).

A square QR code with a small Lumenwerx logo in the center.

Project: _____

Type: _____

Order Guide

LUMINAIRE ID	DISTRIBUTION	TOTAL LUMINAIRE LENGTH	DIRECT OPTICS ² Specify the total length for each required optic.	INDIRECT OPTICS Specify NA for Direct fixture
SLIP				
SLIP - Slight Pendant	DI - Direct/Indirect D - Direct	#FT#IN ¹ - Specify the total nominal length (#) in 1' and/or 1" increments Standard nominal lengths: Single units - 2' to 8' Continuous runs: lengths over 8' ¹ Total luminaire length should equal the sum of all the direct optic lengths.	BDPO ³ - Matte Black Diamond Prism Optic FT IN GDPO ³ - Graphite Diamond Prism Optic FT IN HLO ⁴ - High-Efficiency Lambertian Optic FT IN MPO ⁴ - Micro-Prism Optic FT IN BLA - Blank FT IN	MWIO2 - Mini Widespread Indirect Optic MWAI2 - Mini Widespread Asymmetric Indirect Optic NA - Not applicable

²Specify Prism optics in 6.7" increments for 10 cell louvers, HLO and MPO in 4" increments, Blank in 1" increments.
³Minimum optic length is 20.1".
⁴Minimum optic length is 23.6".

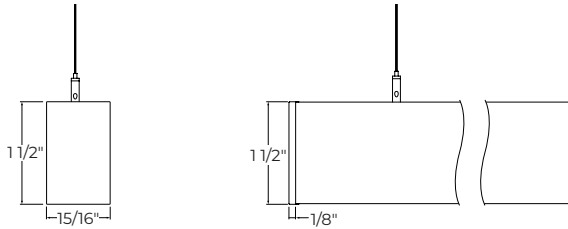
LIGHT SOURCE	CRI	DIRECT LUMEN PACKAGE	INDIRECT LUMEN PACKAGE Specify NA for Direct fixture
SW - Static white FS - Full spectrum	80CRI ⁵ - 80 CRI 90CRI ⁵ - 90 CRI 95CRI ⁶ - 95 CRI ⁵ Not available with full spectrum. ⁶ Available with full spectrum only.	200LMF - 200 lm/ft 350LMF - 350 lm/ft 500LMF - 500 lm/ft 600LMF ⁷ - 600 lm/ft ⁷ Not available with Direct/Indirect.	200LMF - 200 lm/ft 350LMF - 350 lm/ft 500LMF - 500 lm/ft NA - Not applicable

COLOR TEMPERATURE	VOLTAGE	DRIVER ⁹	ELECTRICAL
27K - 2700K 30K - 3000K 35K - 3500K 40K - 4000K 50K - 5000K	120V - 120V 277V - 277V UNV - 120V-277V 347V ⁸ - 347V ⁸ Available with RD1 driver only.	REMOTE RD1 - 1% 0-10V RDA ¹⁰ - DALI RLDE1 ¹⁰ - Lutron Hi-Lume 1% Eco RELDE1 - eldoLED 1% ECOdrive 0-10V RELDO - eldoLED 0.1% SOLOdrive 0-10V ⁹ PoE (Power-over-Ethernet) compatible. Consult factory for details. ¹⁰ On-site commissioning is required.	1C - 1 circuit 2C ¹¹ - 2 circuits ¹¹ Available for Direct/Indirect only. Separate direct and indirect circuits.

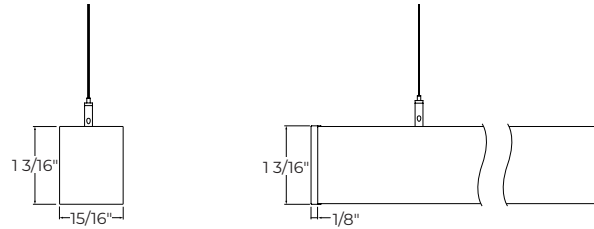
MOUNTING				FINISH ¹⁴
CANOPY TYPE 2CN ¹² - Ø 2" canopy 5CN ¹³ - Ø 5" canopy ¹² Ø 2" for all canopies. Mounted to low voltage (LV) j-boxes provided by Lumenwerx. ¹³ Ø 5" for power canopies, Ø 2" for non-power canopies. Mounted to standard j-boxes by others.	CANOPY FINISH FTMB - Textured matte black FTMW - Textured matte white CF# - Custom finish, specify RAL#	POWER CPS - Coaxial powered suspension	MOUNTING CABLE LENGTH 36IN - 36" 72IN - 72" ##IN - Specify nominal length in inches	FTMB - Textured matte black FTMW - Textured matte white CF# - Custom finish, specify RAL# ¹⁴ Blank finish will match fixture finish.

Dimensions

DIRECT/INDIRECT



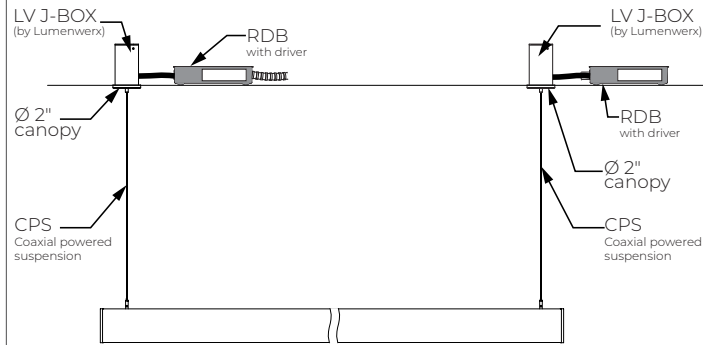
DIRECT



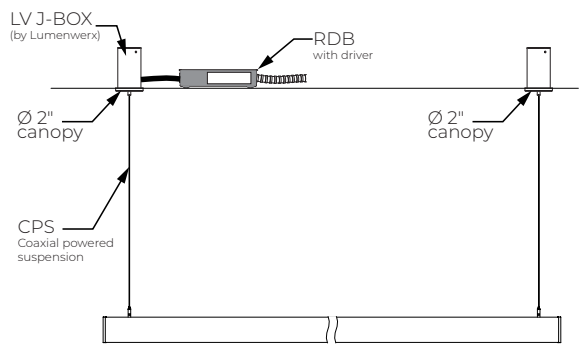
Mounting

2CN - Ø 2" canopy

DIRECT/INDIRECT

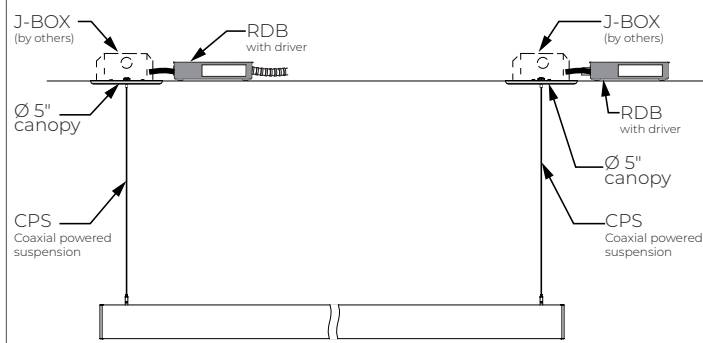


DIRECT

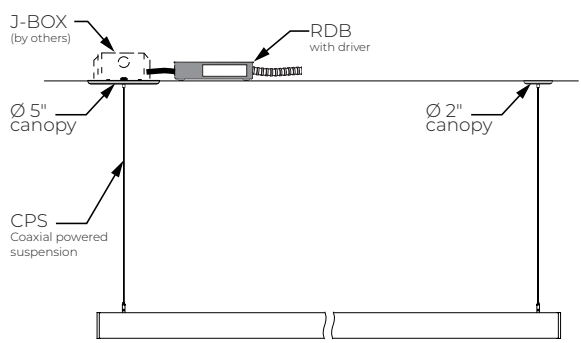


5CN - Ø 5" canopy

DIRECT/INDIRECT



DIRECT

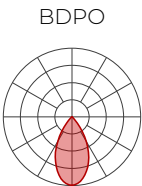


Photometrics

BDPO/GDPO values calculated based on four 6.7" sections at 3500K and 90 CRI.

HLO/MPO/MWIO2/MWAI2 values calculated based on a 4' fixture at 3500K and 90 CRI.

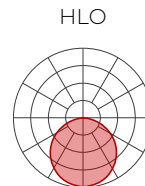
DIRECT OPTICS



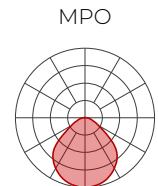
LM/FT	W/FT	LM/W
250	3.7	68
350	5.4	65
500	7.8	64
600	10	60



LM/FT	W/FT	LM/W
250	3.2	78
350	4.7	75
500	6.8	74
600	8.7	69

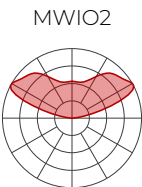


LM/FT	W/FT	LM/W
250	3.9	64
350	5.6	63
500	8.1	62
600	10	60

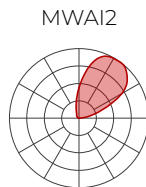


LM/FT	W/FT	LM/W
250	3.9	64
350	5.6	63
500	8.1	62
600	10	60

INDIRECT OPTICS



LM/FT	W/FT	LM/W
250	3.3	76
350	4.7	75
500	6.8	74
600	8.4	71



LM/FT	W/FT	LM/W
250	3.1	81
350	4.5	78
500	6.5	77
600	8	75

MULTIPLIER TABLES - CCT/CRI

Use these tables to get results for different color temperatures and CRI for all photometric tables.

HLO/MPO/ MWIO2/ MWAI2

CCT	WATTS		LPW	
	80 CRI	90 CRI	80 CRI	90 CRI
2700K	1.05	1.27	0.95	0.79
3000K	1.02	1.23	0.98	0.81
3500K	1.00	1.19	1.00	0.84
4000K	1.00	1.19	1.00	0.84
5000K	0.96	1.12	1.04	0.89

BDPO/GDPO

CCT	WATTS		LPW	
	80 CRI	90 CRI	80 CRI	90 CRI
2700K	0.93	1.06	1.08	0.94
3000K	0.89	1.03	1.12	0.98
3500K	0.89	1.00	1.12	1.00
4000K	0.88	0.98	1.13	1.02
5000K	0.85	0.95	1.16	1.05

DIRECT/INDIRECT - LPW CALCULATION

For Direct/Indirect performance values, follow the formula.

$$\frac{\left(\begin{array}{c} \text{DIRECT} \\ \text{LM/FT} \end{array} + \begin{array}{c} \text{INDIRECT} \\ \text{LM/FT} \end{array} \right)}{\left(\begin{array}{c} \text{DIRECT} \\ \text{W/FT} \end{array} + \begin{array}{c} \text{INDIRECT} \\ \text{W/FT} \end{array} \right)} = \text{LPW}$$

Technical Specifications

DIRECT OPTICS

Diamond Prism Optic (DPO)

The Diamond Prism Optic™ (DPO™) is our patent-pending 3-tiered optic meticulously crafted to refract and reflect beams with great precision, effectively keeping glare to a minimum while delivering light of exceptional quality and visual comfort.



High-Efficiency Lambertian Optic (HLO)

Shielding of diffusing 0.075" thick acrylic provides up to 88% transmission and good obscuration. Matte white reflectors distribute LED output across the shielding. Luminaire brightness is controlled by the ratio of luminous flux to shielding area.



Micro-Prism Optic (MPO)

Our precision Micro-Prism Optic™ (MPO™) is a compact marvel engineered to minimize glare and illuminate gently and powerfully. The module's high-quality light output illuminates with a subtle glow to create pleasant lit environments.



Blank (BLA)

Blank covers provide spacing – functional or rhythmic – in the direct component of the luminaire. Covers finished to match the luminaire housing, and snap into the aperture.



INDIRECT OPTICS

Mini Widespread Indirect Optic (MWIO2)

The Mini Widespread Indirect Optic (MWIO2) offers an impressive 160° spread and creates uniform illumination on the ceiling.

Mini Widespread Asymmetric Indirect Optic (MWA12)

The Mini Widespread Asymmetric Indirect Optic (MWA12) is engineered for a wide asymmetric light distribution to create precise lighting placements.

LIGHT SOURCE

Static white

Custom linear array of high-flux LEDs mounted onto aluminum-backed circuitry with quick-connect wiring to facilitate service and optimize thermal management. Available in 2700K, 3000K, 3500K, 4000K, and 5000K with a minimum 80 CRI and an option for 90 CRI with elevated R9 value. Color consistency maintained to within 3 SDCM. All LEDs have been tested in accordance with IESNA LM-80-08 and the results have shown L80 lumen maintenance greater than 60,000 hours. Absolute product photometry is measured and presented in accordance with IESNA LM-79, unless otherwise indicated.

Full spectrum

The full spectrum LED option offers improved color particularly in the cyan region that is beneficial in both healthcare and circadian lighting strategies. The cyan region in full spectrum LED is richer at the 480 nm range.

LUMINAIRE LENGTH

Slight is available in standard lengths of 2' to 8'. Continuous runs are available for run lengths over 8'. Exact run length must be noted in the product code. All individual sections are joined together onsite using the joiner kits provided. Lumenwerx offers joiner kits that are extremely simple to work with in the field and result in a fixture that appears virtually seamless with no light leak at any connection.

ELECTRICAL

Factory-set, adjustable output current LED driver with universal (120-277VAC) input. Dimmable from 100% to 1% with 0-10V dimming control. Rated life (90% survivorship) of 50,000 hours at 50°C max. ambient (and 70°C max. case) temperature. At maximum driver load: Efficiency > 84%, PF > 0.9, THD < 20%. Other specifiable options include Lutron Hi-Lume 1% Eco, eldoLED 1% ECOdrive 0-10V, eldoLED 0.1% SOLOdrive 0-10V, and DALI protocol drivers. All of our standard 0-10V drivers are NEMA 410 compliant.

PoE

Depending on the PoE manufacturer selected, Lumenwerx will install the node in factory as either integral to the luminaire or as a remote module. Factory programming of the PoE node may or may not enable the following functionalities: lumen package, DUO (tunable white), QUADRO (RGBW), emergency battery backup, and sensor integration. These must be addressed and evaluated on a case-by-case basis.

SLIGHT PENDANT

DIRECT/INDIRECT, DIRECT



MOUNTING

Pendant fixtures are mounted with coaxial powered suspension cables.

FINISH

Textured matte white and black. Custom finishes are also available.

CONSTRUCTION

Housing: Extruded aluminum, up to 90% recycled content

Lens: Acrylic

Louvers: Polycarbonate

Joining system: Die cast zinc

End caps: Die cast aluminum

Hanger: Chromed griplock securely attached in end caps and/or joiners with stainless steel hardware

Aircraft cable suspension: Stainless steel aircraft cable 1mm thick

WEIGHT

Direct/Indirect	Direct
4': 3.31 lbs - 1.5 kg	4': 2.2 lbs - 1.0 kg
8': 6.61 lbs - 3.0 kg	8': 4.41 lbs - 2.0 kg

CERTIFICATION

ETL: Rated for indoor dry/damp locations. Conforms to UL Standard 1598 and certified to CAN/CSA Standard C22.2 No. 250.0.

WARRANTY

Lumenwerx provides a five-year limited warranty on electrical and mechanical performance of the luminaires, including the LED boards, drivers, and auxiliary electronics. Lumenwerx will repair or replace defective luminaires or components at our discretion, provided they have been installed and operated in accordance with our specifications. Other limitations apply, please refer to the full warranty on our website.