


TOGO ACOUSTIX BLANK


Pendant - Blank




INSTALLATION INSTRUCTIONS

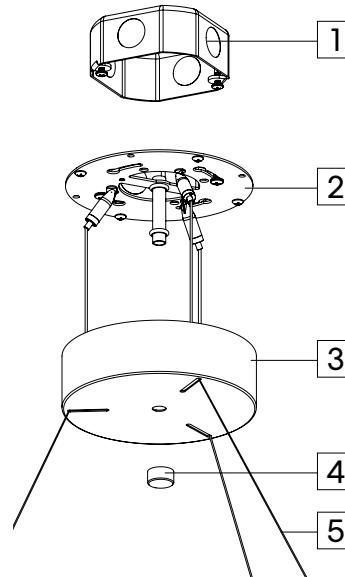
 This product must be installed in accordance with the National Electrical Code and all applicable local codes, by a person familiar with the construction and operation of the product, and the hazards involved. Proper grounding is required for safety.

Ce produit doit être installé suivant le code national de l'électricité, ainsi que tous les codes locaux applicables, par une personne familière avec la construction et le fonctionnement du produit, ainsi que tous les risques qui y sont associés. La mise à terre électrique est obligatoire pour la sécurité.

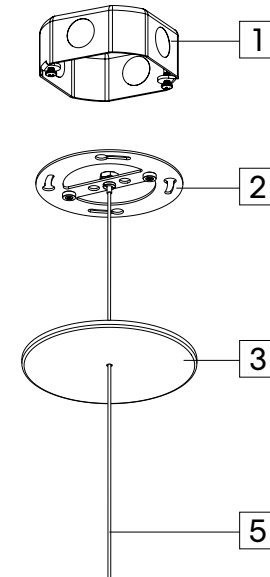
 Disconnect power before installation or servicing.

 Number of cables may vary.

SINGLE CANOPY



MULTIPLE CANOPIES



INDEX

Single canopy.....	P2
Multiple canopies.....	P4

ITEMS LIST

1	Standard J-box (by others)
2	Mounting plate
3	Canopy
4	Decorative nut
5	Aircraft cable

TOOLS REQUIRED

- Phillips screwdriver
- Aircraft cable cutter
- 1/4" drill bit



TOGO ACOUSTIX BLANK

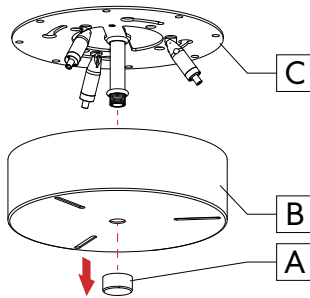
Pendant - Blank



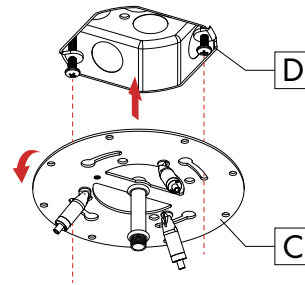
SINGLE CANOPY

1 PREPARE MOUNTING POINTS.

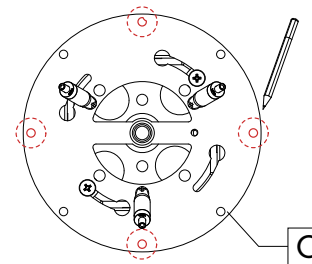
Loosen the decorative nut [A] on the canopy [B]. Separate the canopy [B] from the mounting plate [C].



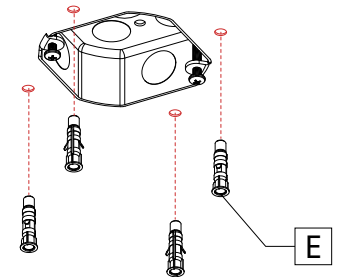
Fix the mounting plate [C] on the junction box [D].



Use the mounting plate [C] as a model to mark 4 holes.

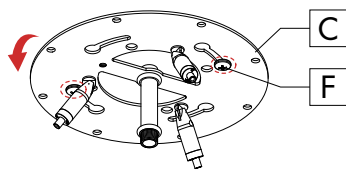


Remove the mounting plate. Drill holes (Ø 1/4") following the red marks. Install #8 drywall anchors [E].

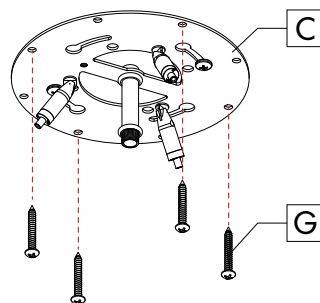


2 FIX MOUNTING PLATE TO CEILING.

Tighten the two screws [F] to secure the mounting plate [C] to the junction box.



Use #8 screws [G] to fasten the mounting plate [C] to the ceiling.

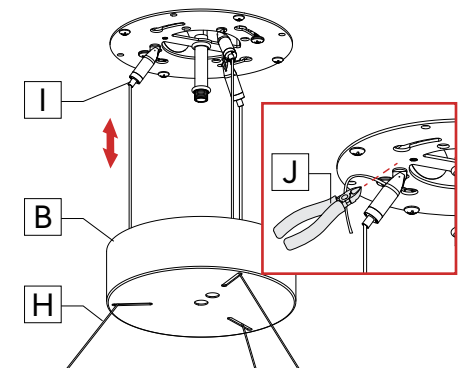


3 INSTALL AIRCRAFT CABLES.

Pass all aircraft cables [H] through the canopy [B]. Insert them into the griplocks [I]. Adjust the cables by pushing the feeder tube [I].

Cut the excess cables with an aircraft cable cutter [J].

Note: Height adjustment of the fixture must be done at this step.



TOGO ACOUSTIX BLANK

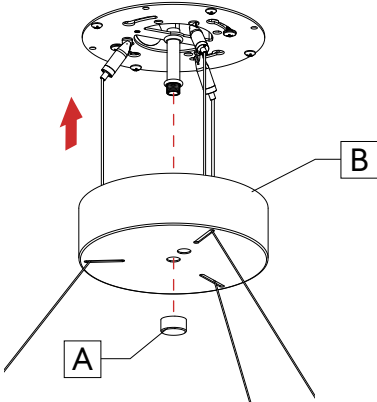
Pendant - Blank



SINGLE CANOPY

4 REINSTALL CANOPY.

Put the canopy [B] back in place and fix using the decorative nut [A].



TOGO ACOUSTIX BLANK

Pendant - Blank



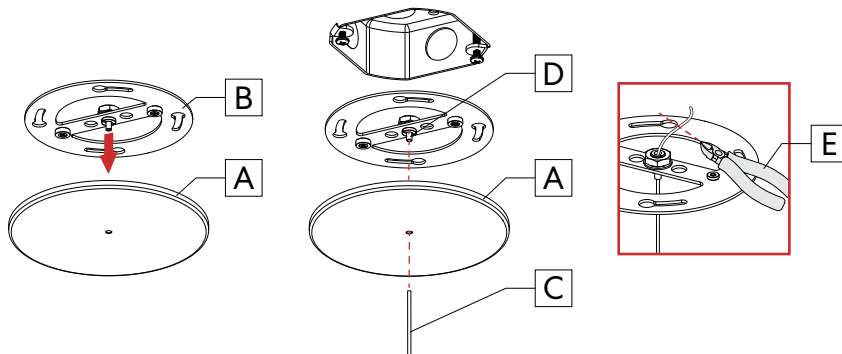
MULTIPLE CANOPIES

1 INSTALL AIRCRAFT CABLE.

Separate the canopy [A] from the mounting plate [B].

Pass the aircraft cable [C] through the canopy [A]. Insert it into the griplock [D] then adjust the cable [C] by pushing the feeder tube [D].

Cut the excess cable with an aircraft cable cutter [E].



2 FIX MOUNTING PLATE AND CANOPY TO CEILING.

Mount and turn the mounting plate [B] to place on the junction box [F].

Put the canopy [A] back in place.

Tighten screws [G] to secure the mounting plate [B] to the junction box.

