

# UBIK COMBINATION

WALL / WALL PATTERN

STATIC WHITE, BIOS



## DESCRIPTION

Sleek square form meets superb function in Ubik, a lighting family designed to provide a multitude of creative options. With the Ubik Combination Wall luminaire, you can combine different optics and create patterns with corners to further enhance your lighting design. These compact 2" wide wall fixtures are offered with HLO and parabolic louver optics for direct illumination, and translucent optic for indirect diffusion.

### SENSORS

For latest information on sensors, click [here](#).



Up to 145 lm/W performance



# UBIK COMBINATION

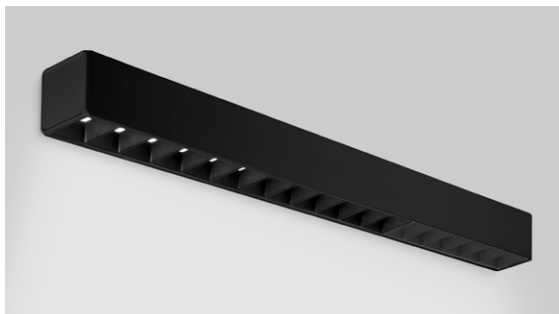
WALL / WALL PATTERN

STATIC WHITE, BIOS



## DIRECT OPTICS

### Parabolic Louver



Matte White

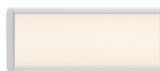
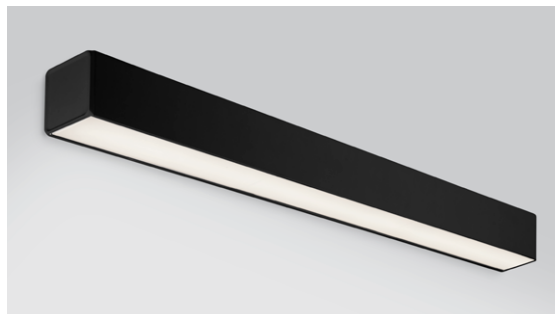


Matte Silver



Matte Black

### High-Efficiency Lambertian Optic



## INDIRECT OPTIC

### Translucent Indirect Optic



# UBIK COMBINATION

WALL / WALL PATTERN

STATIC WHITE, BIOS



Project: \_\_\_\_\_

Type: \_\_\_\_\_

## UBIK COMBINATION

A drawing of your combination is required - anything from a line drawing to an architectural drawing.

LUMINAIRE ID	DISTRIBUTION	TOTAL LUMINAIRE LENGTH <sup>2</sup>	DIRECT OPTICS <sup>4,5</sup> Specify the total length for each required optic	INDIRECT OPTIC Specify NA for Direct fixture
<b>UBICOMW</b>				
<b>UBICOMW</b> <sup>1</sup> - Ubik Combination Wall  <sup>1</sup> To specify a Ubik Combination Pattern fixture, see page 4.	<b>D</b> - Direct <b>DI</b> - Direct/Indirect	<b>#FT#IN</b> <sup>3</sup> - Specify the total nominal length (#) in 1' and/or 1" increments  <b>Standard nominal lengths:</b> Single units: 3' to 12' Continuous runs: lengths over 12'  <sup>2</sup> Total luminaire length should equal the sum of all the direct optic lengths. <sup>3</sup> Minimum fixture length is 3' for Direct, and 4' for Direct/Indirect.	<b>MWPL</b> <sup>6</sup> - Matte White Parabolic Louver <b>MSPL</b> <sup>6</sup> - Matte Silver Parabolic Louver <b>MBPL</b> <sup>6</sup> - Matte Black Parabolic Louver <b>HLO</b> - High-Efficiency Lambertian Optic <b>BLAW</b> - Blank White <b>BLAS</b> - Blank Silver <b>BLAB</b> - Blank Black  <sup>4</sup> Specify louvers/optics in 6" increments, and blanks in 1" increments. <sup>5</sup> If 3 optic types are selected, the minimum total length per louver/optic must be 2'. <sup>6</sup> Not available with BIOSTU.	<b>TIO</b> <sup>7</sup> - Translucent Indirect Optic <b>NA</b> - Not applicable  <sup>7</sup> Not available with BIOS.

LIGHT SOURCE	CRI	DIRECT LUMEN PACKAGE	INDIRECT LUMEN PACKAGE Specify NA for Direct fixture	COLOR TEMP.	VOLTAGE
<b>SW</b> - Static white  <b>BIOSSST</b> <sup>8</sup> - BIOS Biological Static <b>BIOSDY</b> <sup>8</sup> - BIOS Biological Dynamic <b>BIOSTU</b> <sup>8</sup> - BIOS Biological Tunable  <sup>8</sup> See page 7 for details.	<b>80CRI</b> - 80 CRI <b>90CRI</b> <sup>9</sup> - 90 CRI  <sup>9</sup> Not available with BIOS.	<b>350LMF</b> - Eco low output 350 lm/ft <b>500LMF</b> - Low output 500 lm/ft <b>750LMF</b> <sup>10</sup> - Medium output 750 lm/ft <b>1000LMF</b> <sup>10</sup> - High output 1000 lm/ft <b>1200LMF</b> <sup>10</sup> - Ultra high output 1200 lm/ft  <sup>10</sup> Not available with BIOS.	<b>350LMF</b> - Eco low output 350 lm/ft <b>500LMF</b> - Low output 500 lm/ft <b>750LMF</b> <sup>11</sup> - Medium output 750 lm/ft <b>1000LMF</b> <sup>11</sup> - High output 1000 lm/ft <b>NA</b> - Not applicable  <sup>11</sup> Not available with BIOS.	<b>27K</b> <sup>12</sup> - 2700K <b>30K</b> - 3000K <b>35K</b> - 3500K <b>40K</b> - 4000K <b>50K</b> <sup>12</sup> - 5000K  <sup>12</sup> Not available with BIOS.	<b>120V</b> - 120V <b>277V</b> - 277V <b>UNV</b> - 120V-277V <b>347V</b> <sup>13</sup> - 347V  <sup>13</sup> Available with DI driver only.

DRIVER <sup>14</sup>	ELECTRICAL	ELECTRICAL SECTIONS (optional) <sup>20,21</sup>	MOUNTING
<b>DI</b> - 1% 0-10V <b>DA</b> <sup>15</sup> - DALI <b>LDEI</b> <sup>15</sup> - Lutron Hi-lume 1% Eco <b>ELDI</b> - eldoLED 1% ECOdrive 0-10V <b>ELDO</b> - eldoLED 0.1% SOLOdrive 0-10V  <sup>14</sup> PoE (Power-over-Ethernet) compatible. Consult factory for details. <sup>15</sup> On-site commissioning is required.	<b>1C</b> - 1 circuit <b>2C</b> <sup>16</sup> - 2 circuits <b>#MC</b> <sup>17</sup> - Multi circuit <b>EC</b> - Emergency-powered fixture <b>NL</b> - Night light fixture <b>DL</b> - Daylight fixture <b>GTD</b> <sup>18,19</sup> - Generator transfer device fixture  <sup>16</sup> Available for Direct/Indirect only. Separate direct and indirect circuits. <sup>17</sup> Specify total number of circuits (#), including any required for electrical section options. Provide drawing or layout specifications. Minimum 4' section per circuit. <sup>18</sup> Minimum 4' fixture. <sup>19</sup> Not available with 347V.	<b>#EC##</b> <sup>22</sup> - Emergency-powered section <b>#NL##</b> <sup>22</sup> - Night light section <b>#DL##</b> <sup>22</sup> - Daylight section <b>#GTD##</b> <sup>22,23,24</sup> - Generator transfer device section <b>#EMB</b> <sup>24,25</sup> - Emergency battery <b>NA</b> - None  <sup>20</sup> Specify with multi circuit (#MC) electrical option only. <sup>21</sup> Provide drawing or layout specifications. Consult factory for other configurations. Default section length is 4'. <sup>22</sup> Specify quantity (#), and section length in inches (##). <sup>23</sup> Minimum 4' section. <sup>24</sup> Not available with 347V. <sup>25</sup> Specify quantity (#). All batteries will be on the same circuit. Each battery powers a 4' section. For Direct/Indirect, minimum 8' fixture.	<b>DMB</b> - Drywall mounting bracket

FINISH	END CAP	CONTROL <sup>26</sup>	OPTION
<b>W</b> - Matte white <b>AL</b> - Aluminum <b>B</b> - Matte black <b>CF#</b> - Custom finish, specify RAL#	<b>BE</b> - Beveled <b>FL</b> - Flat	<b>STANDALONE CONTROLS</b> <sup>27,28</sup> Specify the quantity (#) of sensors per fixture. <b>#ODS</b> - Onboard Daylight  <b>CONNECTED CONTROLS</b> <sup>29</sup>  <b>NA</b> - None  <sup>26</sup> Standalone and connected control options cannot be combined. <sup>27</sup> Available with DI driver and 1 circuit options only. <sup>28</sup> Minimum 4' per zone. Provide control zone length. <sup>29</sup> Consult factory for connected controls. Compatible systems include Lutron, Enlighted, Encelium, Cooper, Acuity, Casambi, and Legrand.	<b>FU120</b> - Fuse 120V <b>FU277</b> - Fuse 277V <b>NA</b> - None

# UBIK COMBINATION

WALL / WALL PATTERN  
 STATIC WHITE, BIOS



Project: \_\_\_\_\_  
 Type: \_\_\_\_\_

## UBIK COMBINATION PATTERN

A drawing of your combination pattern is required - anything from a line drawing to an architectural drawing.

LUMINAIRE ID	DISTRIBUTION	TOTAL PATTERN LENGTH <sup>1</sup>	DIRECT OPTICS <sup>3,4</sup> Specify the total length for each required optic, including the corner lengths	INDIRECT OPTIC Specify NA for Direct fixture
<b>UBICOMWPAT</b>				

<b>UBICOMWPAT</b> - Ubiq Combination Wall Pattern	<b>D</b> - Direct <b>DI</b> - Direct/Indirect	<b>##FT##IN(##X##FT##IN-##X##FT##IN-...)</b> <sup>2</sup> - ##FT##IN: total nominal length of pattern in feet and/or inches #X: quantity of each section #FT##IN: nominal length of each section in feet and/or inches  Continuous runs: lengths over 12'  <sup>1</sup> Total pattern length should equal the sum of all the direct optic lengths. <sup>2</sup> Minimum fixture length is 3' for Direct, and 4' for Direct/Indirect.	<b>MWPL</b> <sup>5</sup> - Matte White Parabolic Louver <b>FT</b>	<b>IN</b>	<b>TIO</b> <sup>6</sup> - Translucent Indirect Optic <b>NA</b> - Not applicable  <sup>6</sup> Not available with BIOS.
			<b>MSPL</b> <sup>5</sup> - Matte Silver Parabolic Louver <b>FT</b> <b>MBPL</b> <sup>5</sup> - Matte Black Parabolic Louver <b>FT</b> <b>HLO</b> - High-Efficiency Lambertian Optic <b>FT</b> <b>BLAW</b> - Blank White <b>FT</b> <b>BLAS</b> - Blank Silver <b>FT</b> <b>BLAB</b> - Blank Black <b>FT</b>		

LIGHT SOURCE	CRI	DIRECT LUMEN PACKAGE	INDIRECT LUMEN PACKAGE Specify NA for Direct fixture	COLOR TEMP.	CORNER TYPE <sup>12</sup>

<b>SW</b> - Static white  <b>BIOBST</b> <sup>7</sup> - BIOS Biological Static <b>BIOSDY</b> <sup>7</sup> - BIOS Biological Dynamic <b>BIOSTU</b> <sup>7</sup> - BIOS Biological Tunable	<b>80CRI</b> - 80 CRI <b>90CRI</b> <sup>8</sup> - 90 CRI  <sup>8</sup> Not available with BIOS.	<b>350LMF</b> - Eco low output 350 lm/ft <b>500LMF</b> - Low output 500 lm/ft <b>750LMF</b> <sup>9</sup> - Medium output 750 lm/ft <b>1000LMF</b> <sup>9</sup> - High output 1000 lm/ft <b>1200LMF</b> <sup>9</sup> - Ultra high output 1200 lm/ft  <sup>9</sup> Not available with BIOS.	<b>350LMF</b> - Eco low output 350 lm/ft <b>500LMF</b> - Low output 500 lm/ft <b>750LMF</b> <sup>10</sup> - Medium output 750 lm/ft <b>1000LMF</b> <sup>10</sup> - High output 1000 lm/ft <b>NA</b> - Not applicable  <sup>10</sup> Not available with BIOS.	<b>27K</b> <sup>11</sup> - 2700K <b>30K</b> - 3000K <b>35K</b> - 3500K <b>40K</b> - 4000K <b>50K</b> <sup>11</sup> - 5000K  <sup>11</sup> Not available with BIOS.	<b>#LEVI2C(A##)</b> - 2-way leveled inside corner  <b>#LEVO2C(A##)</b> - 2-way leveled outside corner  <sup>12</sup> Specify quantity (#) and angle (A##) for each required corner type. <sup>13</sup> Minimum angle is 45°.	<b>ANGLE (A##):</b> <b>(A90)</b> - 90° <b>(A##)</b> <sup>13</sup> - Custom

CORNER OPTIC	VOLTAGE	DRIVER <sup>15</sup>	ELECTRICAL	ELECTRICAL SECTIONS (optional) <sup>21,22</sup>

<b>HLO</b> - High-Efficiency Lambertian Optic leveled corner min 2"x2" <b>BLA</b> - Blank leveled corner min 6"x6"	<b>120V</b> - 120V <b>277V</b> - 277V <b>UNV</b> - 120V-277V <b>347V</b> <sup>14</sup> - 347V  <sup>14</sup> Available with DI driver only.	<b>D1</b> - 1% 0-10V <b>DA</b> <sup>16</sup> - DALI <b>LDE1</b> <sup>16</sup> - Lutron Hi-lume 1% Eco 0-10V <b>ELD1</b> - eldoLED 1% ECOdrive 0-10V <b>ELDO</b> - eldoLED 0.1% SOLOdrive 0-10V  <sup>15</sup> PoE (Power-over-Ethernet) compatible. Consult factory for details. <sup>16</sup> On-site commissioning is required.	<b>1C</b> - 1 circuit <b>2C</b> <sup>17</sup> - 2 circuits <b>#MC</b> <sup>18</sup> - Multi circuit <b>EC</b> - Emergency-powered fixture <b>NL</b> - Night light fixture <b>DL</b> - Daylight fixture <b>GTD</b> <sup>19,20</sup> - Generator transfer device fixture  <sup>17</sup> Available for Direct/Indirect only. Separate direct and indirect circuits. <sup>18</sup> Specify total number of circuits (#), including any required for electrical section options. Provide drawing or layout specifications. Minimum 4' section per circuit. <sup>19</sup> Minimum 4' fixture. <sup>20</sup> Not available with 347V.	<b>#EC##</b> <sup>23</sup> - Emergency-powered section <b>#NL##</b> <sup>23</sup> - Night light section <b>#DL##</b> <sup>23</sup> - Daylight section <b>#GTD##</b> <sup>23,24,25</sup> - Generator transfer device section <b>#EMB</b> <sup>25,26</sup> - Emergency battery <b>NA</b> - None  <sup>21</sup> Specify with multi circuit (#MC) electrical option only. <sup>22</sup> Provide drawing or layout specifications. Consult factory for other configurations. Default section length is 4'. <sup>23</sup> Specify quantity (#), and section length in inches (##). <sup>24</sup> Minimum 4' section. <sup>25</sup> Not available with 347V. <sup>26</sup> Specify quantity (#). All batteries will be on the same circuit. Each battery powers a 4' section. For Direct/Indirect, minimum 8' fixture.

MOUNTING	FINISH	END CAP	CONTROL <sup>27</sup>	OPTION

<b>DMB</b> - Drywall mounting bracket	<b>W</b> - Matte white <b>AL</b> - Aluminum <b>B</b> - Matte black <b>CF#</b> - Custom finish, specify RAL#	<b>BE</b> - Beveled <b>FL</b> - Flat	<b>STANDALONE CONTROLS</b> <sup>28,29</sup> Specify the quantity (#) of sensors per fixture. <b>#ODS</b> - Onboard Daylight	<b>FUI20</b> - Fuse 120V <b>FU277</b> - Fuse 277V <b>NA</b> - None
			<b>CONNECTED CONTROLS</b> <sup>30</sup>  <b>NA</b> - None	

<sup>27</sup>Standalone and connected control options cannot be combined.  
<sup>28</sup>Available with DI driver and 1 circuit options only.  
<sup>29</sup>Minimum 4' per zone. Provide control zone length.  
<sup>30</sup>Consult factory for connected controls. Compatible systems include Lutron, Enlighted, Encelium, Cooper, Acuity, Casambi, and Legrand.



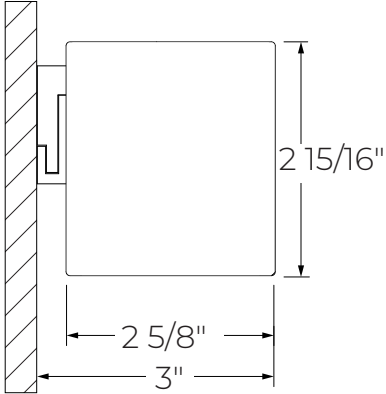
# UBIK COMBINATION

WALL / WALL PATTERN

STATIC WHITE, BIOS



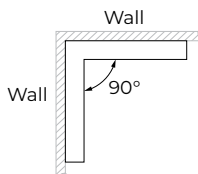
## Dimensions



## Pattern Layout

CORNER TYPES

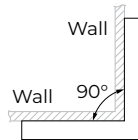
### LEVELED INSIDE CORNER



2-way

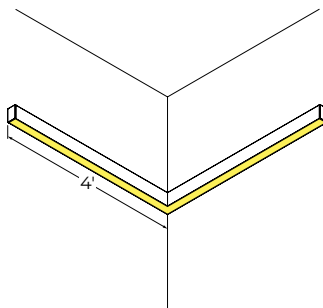
1LEVI2C(A90)

### LEVELED OUTSIDE CORNER

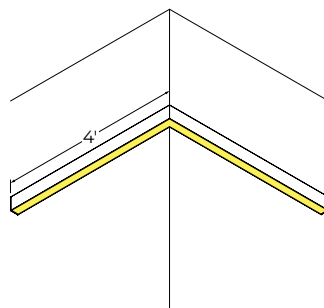


1LEVO2C(A90)

EXAMPLES



8FT(2X4FT)-1LEVI2C(A90)



8FT(2X4FT)-1LEVO2C(A90)

# UBIK COMBINATION

WALL / WALL PATTERN

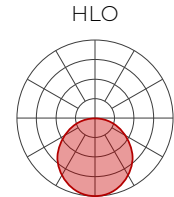
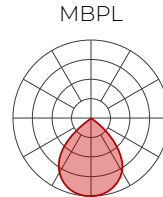
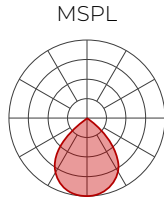
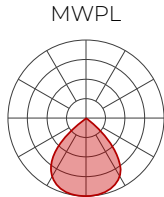
STATIC WHITE, BIOS



## Photometrics

Values calculated based on a 4' fixture at 3500K and 80 CRI for all optics. Watts and lumens per watt may vary based on the type of driver selected.

### DIRECT OPTICS



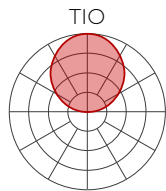
LM/FT	W/FT	LM/W
350	2.6	137
500	3.8	132
750	5.9	127
1000	8.1	123
1200	9.9	121

LM/FT	W/FT	LM/W
350	2.8	125
500	4.2	120
750	6.5	115
1000	8.9	112
1200	10.9	110

LM/FT	W/FT	LM/W
350	3.2	109
500	4.8	105
750	7.4	101
1000	10.2	98
1200	12.5	96

LM/FT	W/FT	LM/W
350	2.4	145
500	3.6	140
750	5.6	135
1000	7.6	131
1200	9.4	128

### INDIRECT OPTIC



LM/FT	W/FT	LM/W
350	2.7	128
500	4	124
750	6.3	120
1000	8.7	115

### MULTIPLIER TABLES

Use these tables to get results for different color temperatures and CRI for all Direct and Indirect photometric tables.

Multiplier - CCT/CRI - MWPL/MSPL/MBPL

Multiplier - CCT/CRI - HLO/TIO

CCT	WATTS		LPW		CCT	WATTS		LPW	
	80 CRI	90 CRI	80 CRI	90 CRI		80 CRI	90 CRI	80 CRI	90 CRI
2700K	1.04	1.19	0.96	0.84	2700K	1.05	1.27	0.95	0.79
3000K	1	1.15	1	0.87	3000K	1.02	1.23	0.98	0.81
3500K	1	1.12	1	0.89	3500K	1	1.19	1	0.84
4000K	0.99	1.10	1.01	0.91	4000K	1	1.19	1	0.84
5000K	0.94	1.06	1.06	0.94	5000K	0.96	1.12	1.04	0.89

### DIRECT/INDIRECT - LPW CALCULATION

For Direct/Indirect performance values, follow the formula.

$$\frac{\left( \begin{array}{c} \text{DIRECT} \\ \text{LM/FT} \end{array} + \begin{array}{c} \text{INDIRECT} \\ \text{LM/FT} \end{array} \right)}{\left( \begin{array}{c} \text{DIRECT} \\ \text{W/FT} \end{array} + \begin{array}{c} \text{INDIRECT} \\ \text{W/FT} \end{array} \right)} = \text{LPW}$$

# UBIK COMBINATION

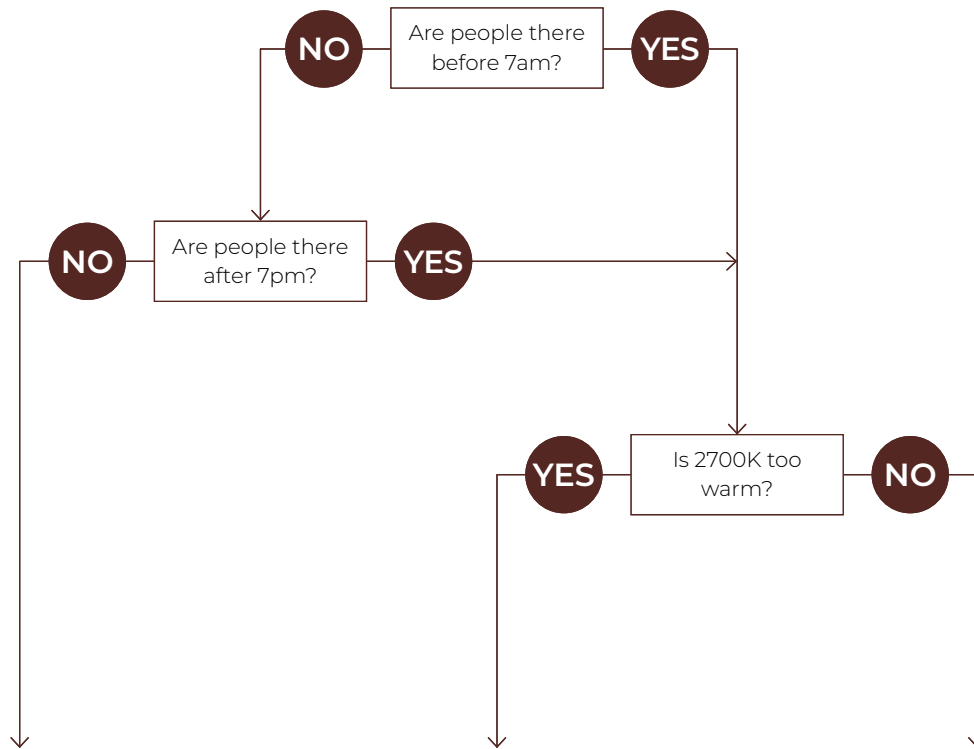
WALL / WALL PATTERN

STATIC WHITE, BIOS



## BIOS

Three BIOS Circadian LED solutions are offered – Biological Static, Biological Dynamic, and Biological Tunable. Use the decision tree below to identify when and where to use BIOS Wellness LED Lighting Solutions.



Biological Static BIOSST	Biological Dynamic BIOSDY	Biological Tunable BIOSTU
No CCT change when dimmed	500K shift when dimmed	Dims to 2700K
Daytime solution	Daytime + evening solution	Daytime + evening solution
Spaces in operation during daytime hours, between 7am and 7pm	Spaces in operation overnight, after 7pm and before 7am, and when CCT color shift in the evening is not preferred	Suitable for spaces in operation overnight, after 7pm and before 7am, and where people do not sleep (CCT color shift in the evening is preferred)
E.g. offices, medical/dental offices	E.g. hospitals	E.g. offices, shiftwork

# UBIK COMBINATION

WALL / WALL PATTERN

STATIC WHITE, BIOS



## Technical Specifications

### DIRECT OPTICS

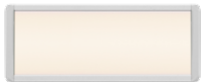
#### Parabolic Louvers

Parabolic louvers provide excellent shielding and a pleasing crisp visual texture. The precisely molded louvers consist of 1" deep blades and are 2"x2" in size. The LED array is secured in the direct position, with the light transmitting through a beam-forming lens creating a conical distribution. Three matte finishes are available in black, white and silver, offering a soft appearance, a wide beam spread of up 85-91 degrees, gentle brightness transition at cut-off, and exceptional UGR.



#### High-Efficiency Lambertian Optic (HLO)

The High-Efficiency Lambertian Optic (HLO) shielding of diffusing 0.075" thick acrylic with up to 88% transmission and good source obscuration is combined with matte white side reflectors to create an efficient optical chamber with uniform luminosity. Luminaire brightness is controlled by the flux-to-shielding area ratio. For visual comfort, avoid high lumen output unless Ubik is installed in a high ceiling application.



#### Blank (BLA)

Blank sections or covers provide spacing for functions or an unlit transition or unlit corner for Ubik combination or pattern. Blank covers are perfectly sized and finished to match the Ubik housing color and shape and easily snap into the Ubik aperture.



### INDIRECT OPTIC

#### Translucent Indirect Optic (TIO)

The Translucent Indirect Optic (TIO) is composed of a horizontal LED array that has a translucent lens to mask pixilation from the diodes. TIO has a 100° spread in the indirect that is ideal when the fixture is mounted farther away from the ceiling.

### LIGHT SOURCE

#### Static white

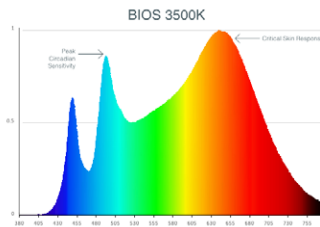
Custom array of mid-flux LEDs are mounted directly to the housing for optimal thermal performance. Available in 2700K, 3000K, 3500K, 4000K, and 5000K with a minimum 80 CRI and an option for 90 CRI with elevated R9 value. Color consistency maintained to within 3 SDCM.

All LEDs have been tested in accordance with IESNA LM-80-08 and the results have shown L80 lumen maintenance greater than 60,000 hours. Absolute product photometry is measured and presented in accordance with IESNA LM-79, unless otherwise indicated.

#### BIOS

BIOS SkyBlue™ Technology is designed to provide the specific circadian stimulus to improve overall sleep quality, recovery during the night, and overall feelings of well-being.

The non-visual light signals that stimulate our circadian system have peak intensity in the "sky blue" region. As the diagram below illustrates, BIOS SkyBlue technology shifts the peak LED spectral intensity (490 nm) to align better with the peak response of circadian stimulus. Also note the enhanced deep-red (near 660 nm) spectrum.



Three BIOS solutions are offered: BIOS Biological Static (BIOSST), BIOS Biological Dynamic (BIOSDY), and BIOS Biological Tunable (BIOSTU). See page 7 for details.

### LUMINAIRE LENGTH

Ubik is made up of standard 3' to 12' sections that may be joined together to create longer continuous run lengths. Exact run lengths must be noted in the product code. The minimum length is 3' for Direct fixtures, and 4' for Direct/Indirect. Lengths can be ordered in 6" increments for louvers and optics, and 1" increments for blanks.

All individual sections are joined together onsite using the joiner kits provided. Lumenwerx offers joiner kits that are extremely simple to work with in the field and result in a fixture that appears virtually seamless with no light leak at any connection.

# UBIK COMBINATION

WALL / WALL PATTERN

STATIC WHITE, BIOS



## WELL BUILDING STANDARD



**WELL for Light:** The WELL building standard focuses on light quality in several features. There are three categories that are fully attributed to the construction and features of a luminaire. In WELL V1, it's Feature 54 Circadian Lighting, Feature 55 Glare Control, and Feature 58 Color Quality. In WELL V2, it's Feature L03 Circadian Lighting, Feature L04 Glare Control, and Feature L07 Electric Light Quality.

This fixture meets Features:

- Feature 54 or L03 when BIOS LED is selected
- Feature 55 or L04 meets WELL glare category (b-c-d)
- Feature 58 or L07 when 90CRI is selected

All LED drivers used at Lumenwerx are deemed to have a low risk level of flicker, of 5% or less below 90Hz operational as defined by IEEE standard 1789-2015 LED.



**WELL for Mind:** This luminaire meets WELL for mind as it is a human centric luminaire offering quality light, excellent color, and smooth optics. If any of these features are incorporated in a luminaire, it can improve the ability to focus, concentrate, and persist longer on a given task. This fixture harmoniously operates in a space to assist the mind.

For more information please contact [well@lumenwerx.com](mailto:well@lumenwerx.com).

## ELECTRICAL

Factory-set, adjustable output current LED driver with universal (120-277 VAC) input. Dimmable from 100% to 1% with 0-10V dimming control. Rated life (90% survivorship) of 50,000 hours at 50°C max. ambient (and 70°C max. case) temperature. At maximum driver load: Efficiency>84%, PF>0.9, THD<20%. Other specifiable options include Lutron Hi-Lume 1% Eco, eldoLED 1% ECOdrive 0-10V, eldoLED 0.1% SOLOdrive 0-10V, and DALI protocol drivers. All of our standard 0-10V drivers are NEMA 410 compliant.

## PoE

Depending on the PoE manufacturer selected, Lumenwerx will install the node in factory as either integral to the luminaire or as a remote module. Factory programming of the PoE node may or may not enable the following functionalities: lumen package, DUO (tunable white), QUADRO (RGBW), emergency battery backup, and sensor integration. These must be addressed and evaluated on a case-by-case basis.

## ELECTRICAL SECTION OPTIONS

Electrical section options are available for fixtures specified as multi circuit (#MC). With MC, specify the total number of circuits (#), including any circuits required for optional electrical sections. A drawing is required to specify the layout. Please consult factory for custom configurations.

### Electrical sections

Options include emergency-powered (#EC##), night light (#NL##), daylight (#DL##), and generator transfer device (#GTD##) sections. Specify the quantity (#), as well as the section length in inches (##).

Example 1: A 32' Direct fixture with two 8' emergency-powered sections on a second circuit.

Code: 2MC-2EC96

Example 2: A 16' Direct/Indirect fixture with separate circuits for direct and indirect, and with one 4' night light section on the direct side on a third circuit.

Code: 3MC-1NL48

Example 3: A 24' Direct fixture with one 4' generator transfer device section.

Code: 1MC-1GTD48

### Battery

Each emergency battery (#EMB) powers a 4' section. All batteries will be on the same circuit. Specify the number of batteries (#) required. Factory installed long life, high temperature, maintenance-free Lithium-Ion battery pack with self-test functionality, test switch and charge indicator. Minimum of 90 minutes operation, up to 1000 lumens per 4' (25°C) emergency lighting output and recharge time of 24 hours.

## MOUNTING

Fixtures may be horizontally mounted to the wall using a bracket. For long runs, a minimum of 6" from adjacent walls is required.

## FINISH

**Interior:** 95%, reflective matte powder coated white paint

**Exterior:** powder coating.

## CONTROLS

Lumenwerx offers several options for integrating occupancy and daylight harvesting controls in our luminaires. For latest information on sensors, click [here](#).



# UBIK COMBINATION

WALL / WALL PATTERN

STATIC WHITE, BIOS



## Standalone controls

An integrated standalone sensor controls the luminaire in which it is installed. Depending on the length, more than one sensor may be necessary and may control the entire luminaire, or just a section of it. These controls operate independently. Unless otherwise agreed, location and functionality of the sensor within the luminaire are selected by Lumenwerx.

One type is available:

**ODS:** An integral, daylight harvesting sensor with closed-loop operation dims the luminaire in which it is installed in order to compensate for available daylight. The sensor measures the combination of daylight and luminaire light reflected from horizontal surfaces below the luminaire. Initial onsite calibration is required via the use of provided remote control.

## Connected controls

With connected controls, sensors or nodes installed in the luminaire form part of a larger control system infrastructure from manufacturers such as: Lutron, Enlighted, Encelium, Cooper Wavelinx, Acuity nLight, Casambi, Legrand, and others. These connected controls allow for a scalable system providing features like occupancy and daylight control, manual control, scheduling and configuration of various zones and scenes. Energy reporting and system monitoring are also possible. Specific capabilities depend on the control system being used. Consult factory for integrating connected controls in a wall fixture.

## WEIGHT

	Direct	Direct/Indirect
4':	7 lbs - 3.2 kg	8 lbs - 3.5 kg
6':	10.5 lbs - 4.8 kg	11.7 lbs - 5.3 kg
8':	14.1 lbs - 6.4 kg	15.6 lbs - 7.0 kg
12':	17.6 lbs - 8 kg	19.5 lbs - 8.8 kg

## CERTIFICATION

**ETL:** Rated for indoor dry/damp locations. Conforms to UL Standard 1598 and certified to CAN/CSA Standard C22.2 No. 250.0.

## WARRANTY

Lumenwerx provides a five-year limited warranty of electrical and mechanical performance of the luminaires, including the LED boards, drivers, and auxiliary electronics. Lumenwerx will repair or replace defective luminaires or components at our discretion, provided they have been installed and operated in accordance with our specifications. Other limitations apply, please refer to the full warranty on our website.

## END CAPS



FL - Flat



BE - Beveled

## CONSTRUCTION

**Housing:** Extruded aluminum up to 90% recycled content

**Joiner:** Die-cast aluminum

**Joiner bracket:** Galvanised steel

**HLO heatsink:** Aluminum sheet

**Louvers:** Injection molded optical grade polycarbonate up to 95% reflective

**HLO lens:** Coextruded PMMA

**TIO lens:** Frosted acrylic

**End caps:** Die-cast aluminum