

! This product must be installed in accordance with the National Electrical Code and all applicable local codes, by a person familiar with the construction and operation of the product, and the hazards involved. Proper grounding is required for safety.

Ce produit doit être installé suivant le code national de l'électricité, ainsi que tous les codes locaux applicables, par une personne familière avec la construction et le fonctionnement du produit, ainsi que tous les risques qui y sont associés. La mise à terre électrique est obligatoire pour la sécurité.

! Wire dimming conductors as Class 1.

! Make sure that the power to the fixture is turned off.

SINGLE FIXTURE

1 INSTALL THE STEMS TO THE CANOPIES.

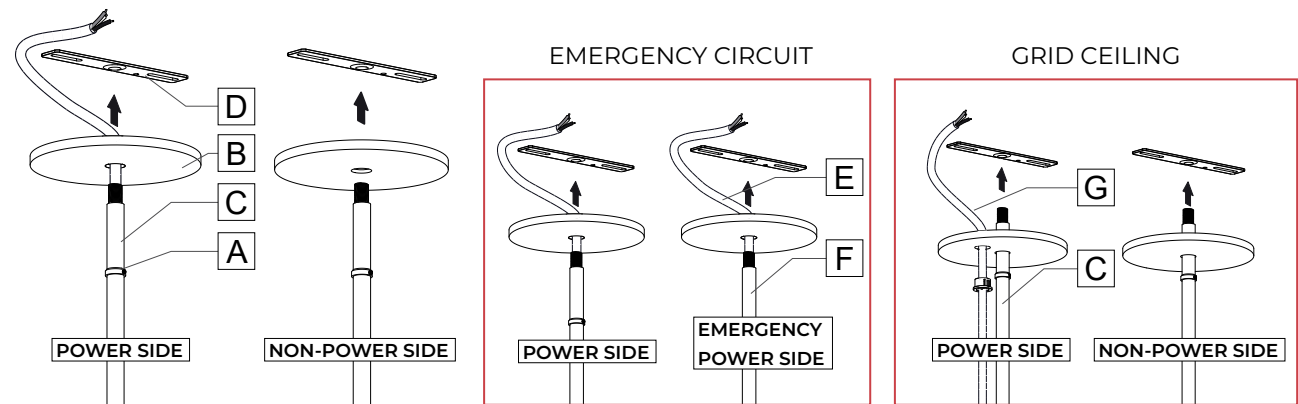
Slide the slip ring [A] and the canopy [B] onto the stem [C] and leave some space. Screw the junction box crossbar [D] onto the stem [C].

EMERGENCY CIRCUIT

In the case where an emergency circuit is required, the emergency circuit wire [E] will be passed through a second stem [F].

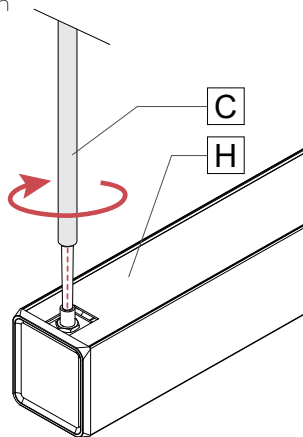
GRID CEILING

In the case where the luminaire is installed on a grid ceiling, the power cable [C] will pass outside of the stem [C].



2 INSTALL THE STEMS ON THE FIXTURE.

Screw the stems [C] on the fixture [H].



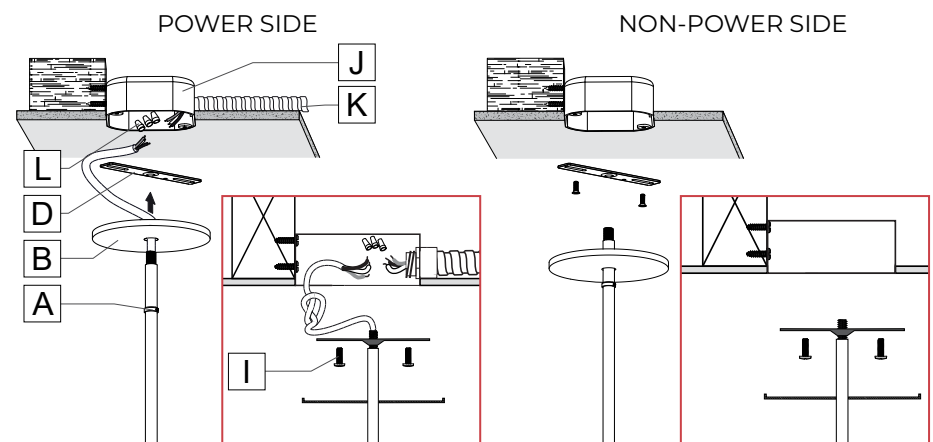
3 INSTALL THE FIXTURE TO THE CEILING.

Raise the fixture and tighten the junction box crossbar [D] with screws [I] (by others) to the junction box [J].

For POWER SIDE canopies, make wire connection to the main power [K] with wire nuts [L].

Slide the canopy [B] up and tighten with the slip ring [A].

WARNING: Power must come from single branch circuit.



CONTINUOUS RUN

1 FOR CONTINUOUS RUN, REPEAT STEP **1** FROM THE SINGLE FIXTURE SECTION FOR THE FIRST FIXTURE IN THE RUN, THEN:

2 REMOVE DIRECT OPTICS.

NOTE: Remove the parts mentioned below from the joining ends of the fixtures in the run with the provided lens tool. Keep them in a safe place.

HLO

Remove the HLO lenses [M].

PARABOLIC

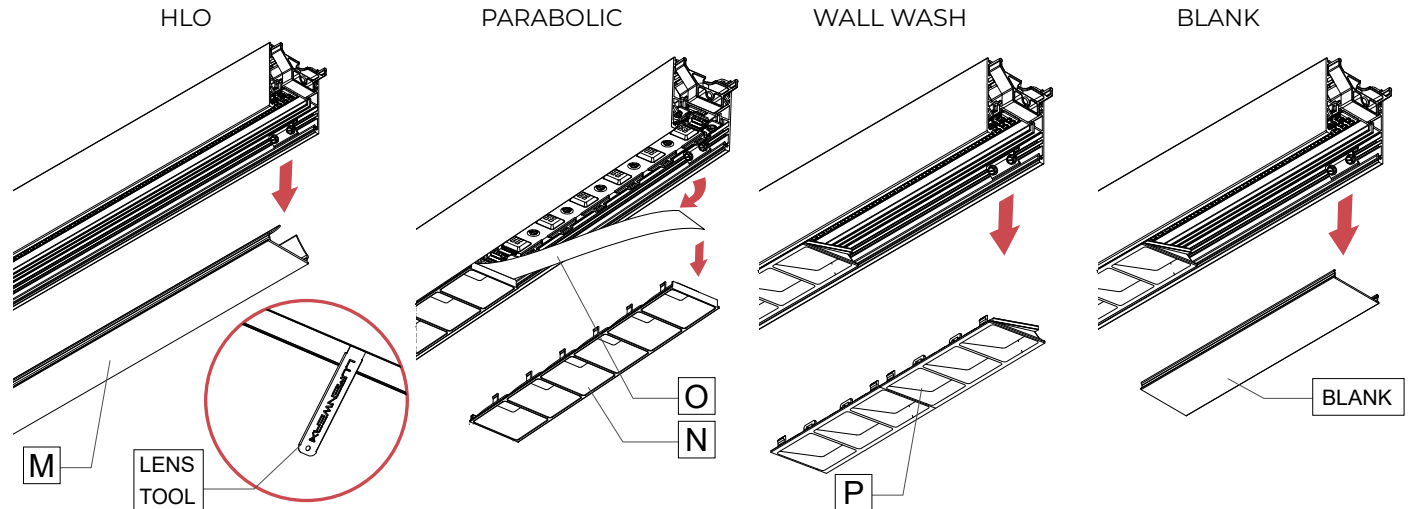
Remove the louvers [N] and the films [O] (if necessary) by pulling the louvers.

WALL WASH

Remove the wall wash louvers [P].

BLANK

In a combination run, remove the [BLANK] if there is one on the joining end.



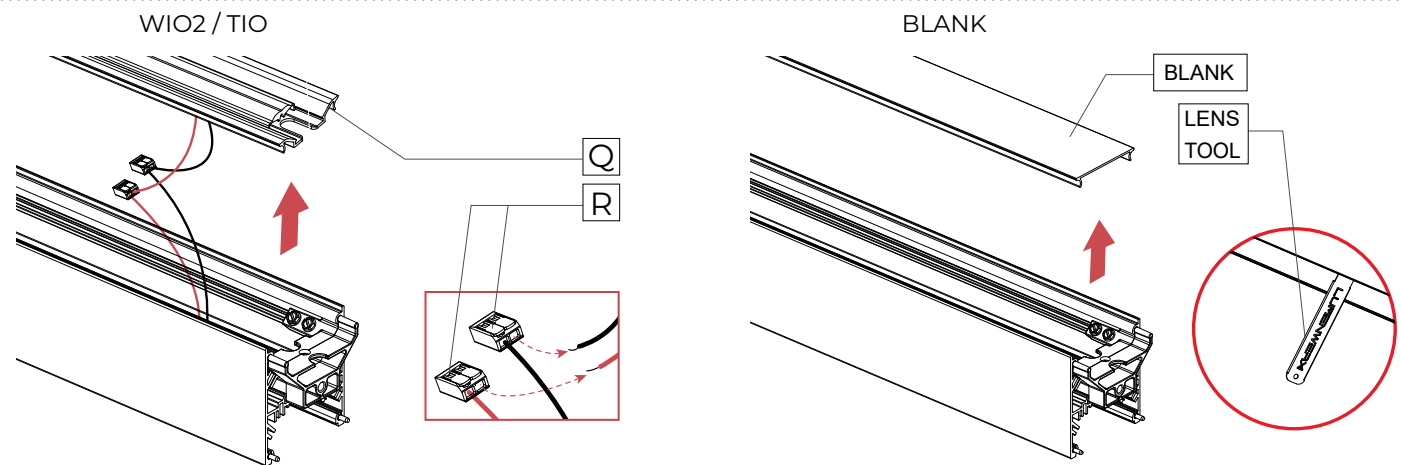
3 REMOVE INDIRECT OPTICS.

WIO2 / TIO

Remove the TIO or WIO2 cartridges [Q] from the joining ends of the fixtures. Disconnect LED molex connectors [R]. Keep the cartridges [Q] in a safe place.

BLANK

In a DIRECT FIXTURE run, remove the [BLANK] from the joining end of the fixture with the provided lens tool. Keep it in a safe place



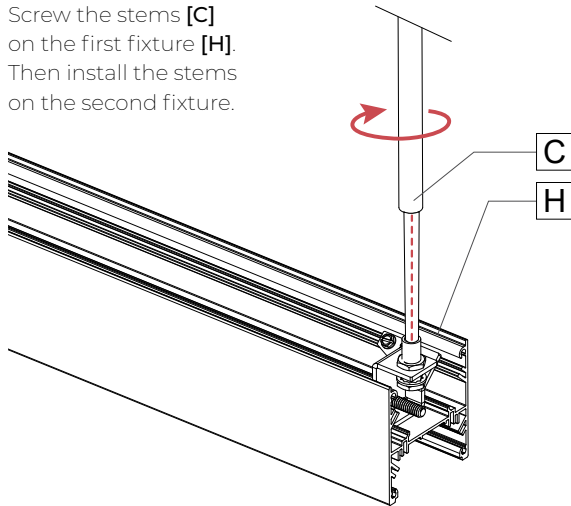
UBIK

Pendant - Stem

LUMENWERX

4 INSTALL THE STEMS ON THE FIXTURE.

Screw the stems [C] on the first fixture [H]. Then install the stems on the second fixture.



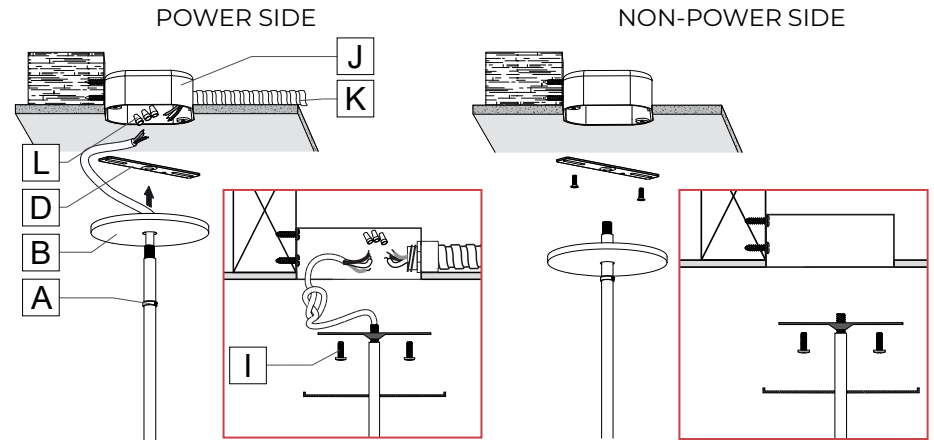
5 INSTALL THE FIXTURES TO THE CEILING.

Raise the fixtures and tighten the junction box crossbar [D] with screws [I] (by others) to the junction box [J].

For **POWER SIDE** canopies, make wire connection to the main power [K] with wire nuts [L].

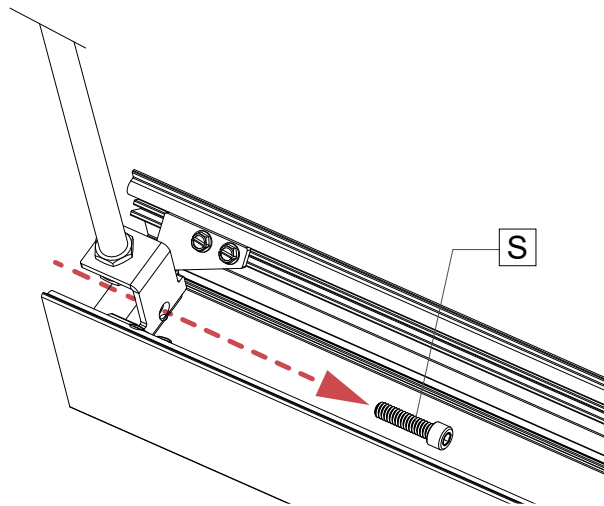
Slide the canopy [B] up and tighten with the slip ring [A].

WARNING: Power must come from single branch circuit.



6 REMOVE JOINER SCREWS.

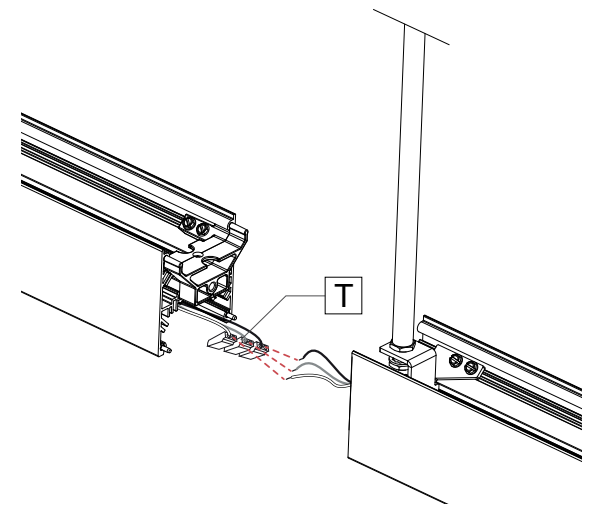
Remove the screw [S] from the joiner and put it in a safe place.



7 MAKE CONNECTION BETWEEN FIXTURES.

Connect wires between joining fixtures using quick connectors [T]. Push wires inside the second fixture.

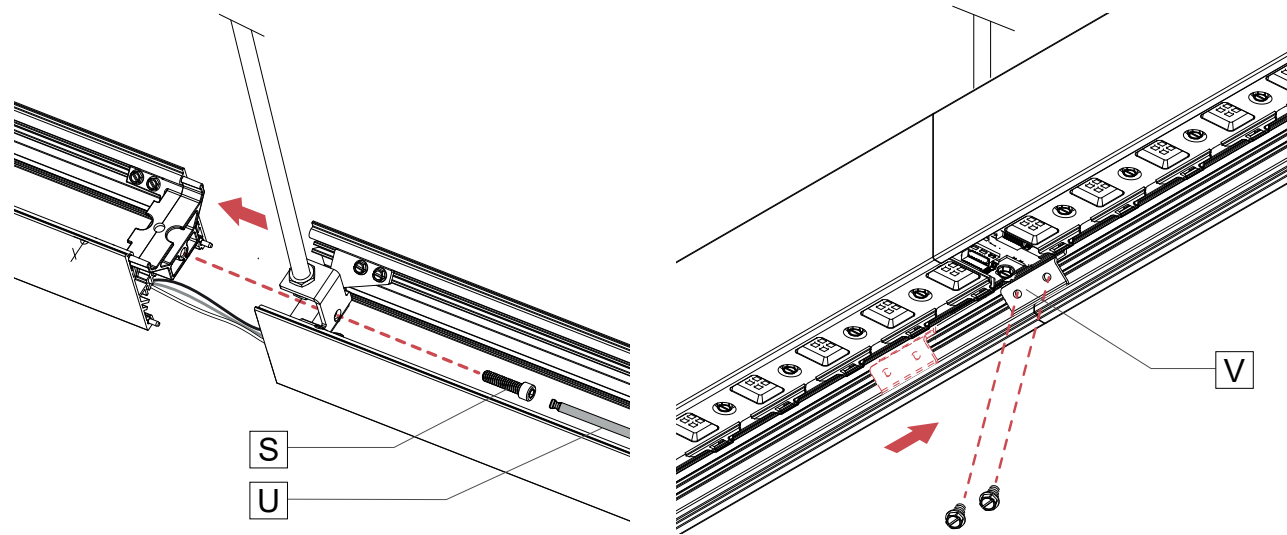
NOTE: Number of wires may vary.



8 JOIN THE FIXTURES.

First on the indirect side, join fixtures using alignment pins as guide. Put the provided screw [S] back in place using the provided 3/16" ball-end screwdriver [U]. Make sure that no wires are placed in between the extrusions, preventing the fixtures to be joined. Tighten the screw [S] to pull the extrusions together.

Then on the direct side, unscrew the joiner brackets [V] and slide them to cover the joining section. Secure the direct joiner brackets [V] with screws. Repeat on the other side.



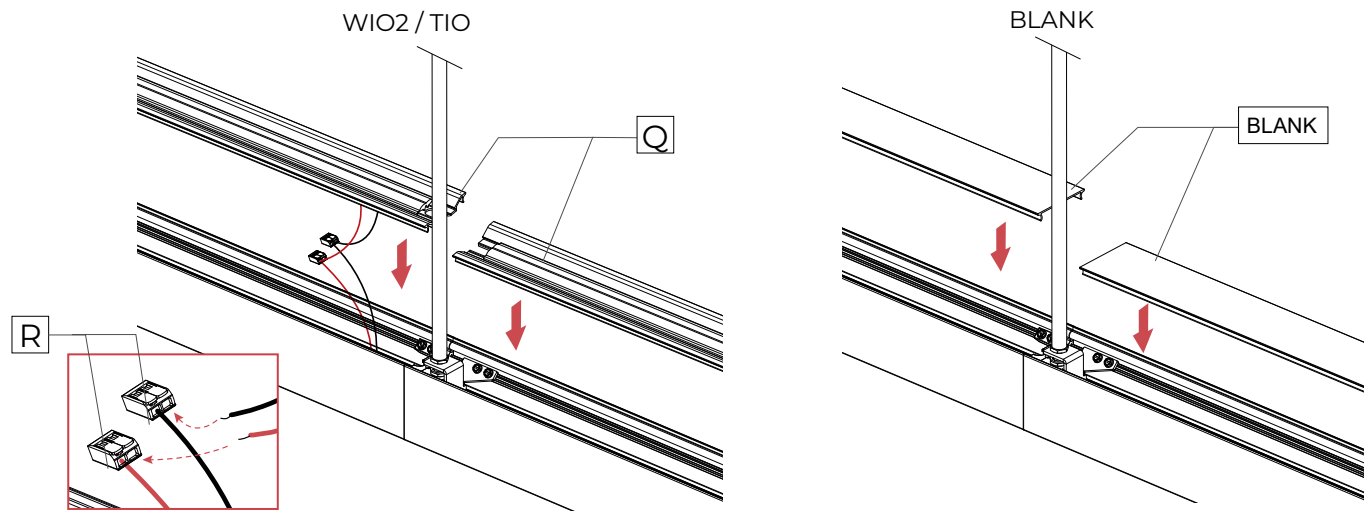
9 REINSTALL INDIRECT OPTICS.

WIO2 / TIO

Reconnect the LED mox connectors [R]. Snap the cartridges [Q] back in place.

BLANK

In a DIRECT FIXTURE run, snap the [BLANK] back in place.



10 REINSTALL DIRECT OPTICS.

HLO

Snap the direct lenses **[M]** back in place.

PARABOLIC

Put the louvers **[N]** and the films **[O]** back in place.

NOTE: If the film has been removed, note that the unfrosted side of the film **[O]** should face LEDs.

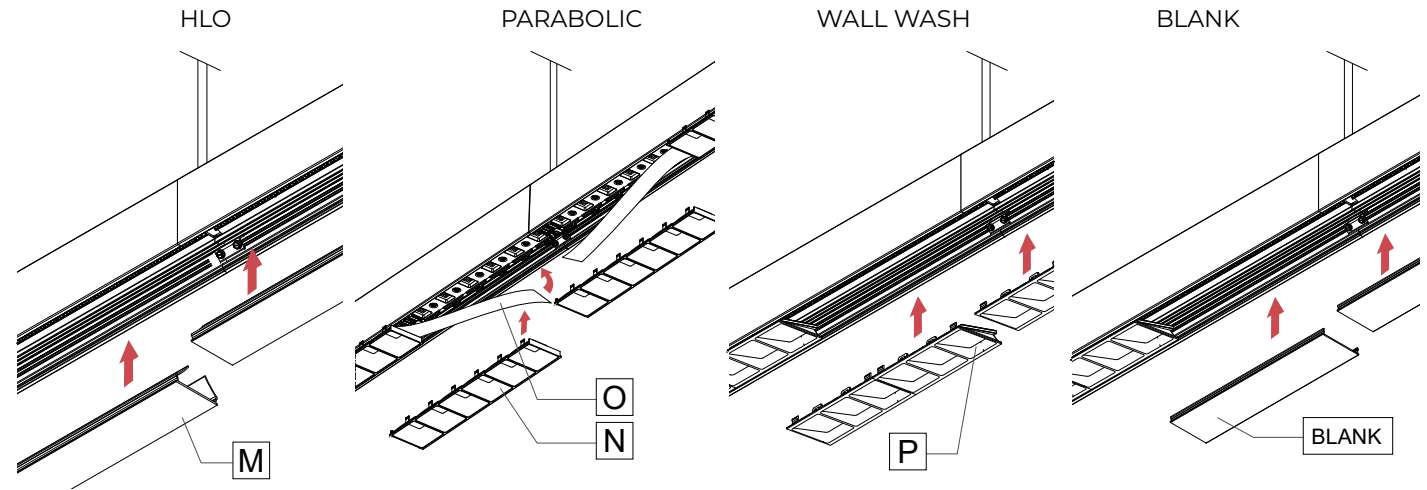
WALL WASH

Put the wall wash louvers **[P]** back in place.

NOTE: Make sure to put the lens in the correct orientation.

BLANK

In a combination run, put the **[BLANK]** back in place.



11 REPEAT CONTINUOUS RUN STEPS FOR THE REST OF THE FIXTURES IN THE RUN.