


# UBIK TROFFER

## Recessed - Drywall - Trim Kit

LUMENWERX

 This product must be installed in accordance with the National Electrical Code and all applicable local codes, by a person familiar with the construction and operation of the product, and the hazards involved. Proper grounding is required for safety.

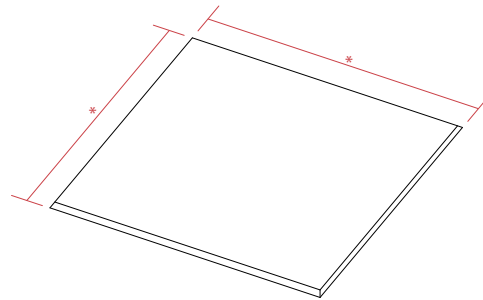
Ce produit doit être installé suivant le code national de l'électricité, ainsi que tous les codes locaux applicables, par une personne familière avec la construction et le fonctionnement du produit, ainsi que tous les risques qui y sont associés. La mise à terre électrique est obligatoire pour la sécurité.

 Wire dimming conductors as Class 1.

### 1 PREPARE CEILING OPENING.

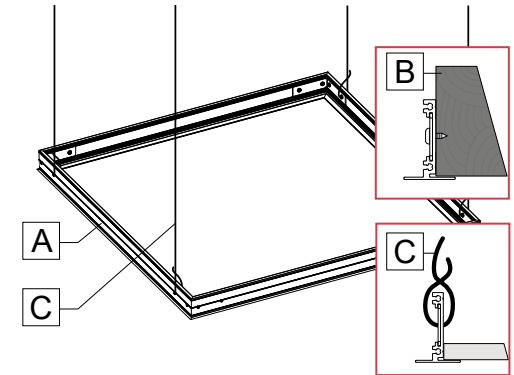
**Caution:** Make sure the electrical power is turned off.

Cut hole in the drywall according to the dimensions [\*] specified in the approved client drawing.



### 2 INSTALL DRYWALL KIT.

Insert the drywall kit [A] into the hole and attach it to a wooden frame [B] or hang it using hanger wires [C].



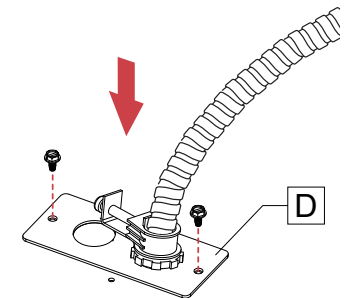
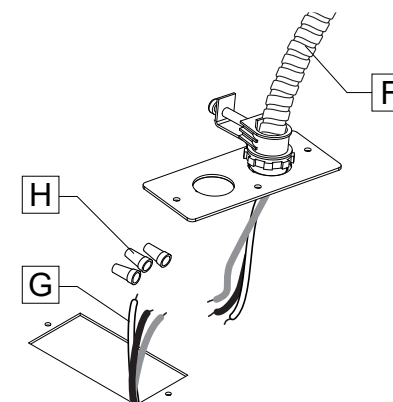
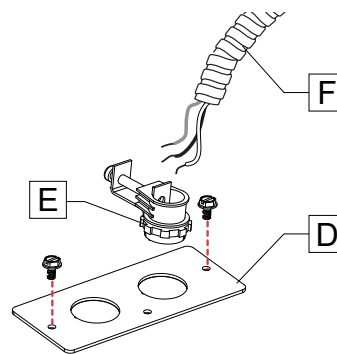
### 3 MAKE ELECTRICAL CONNECTIONS.

Remove the power plate [D] from the fixture and install BX connector [E] (by others) and BX cable [F] (by others) through the power plate. Tighten BX connector [E] screw.

**Warning:** Power must come from single branch circuit.

Connect wires from the BX cable [F] to the fixture driver wires [G] using wire nuts [H] (by others). Ensure connections comply with local and national electrical codes.

Push connected wires inside the fixture. Reinstall the power plate [D] onto the fixture and tighten the two screws.



# UBIK TROFFER

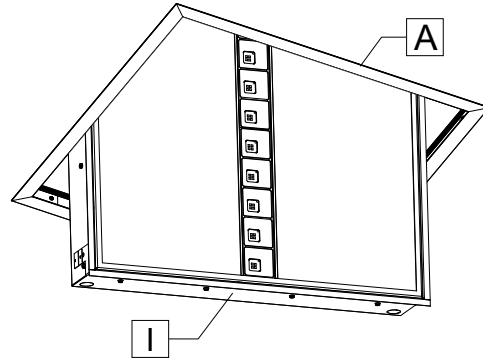
## Recessed - Drywall - Trim Kit

LUMENWERX

### 4 INSERT FIXTURE INTO HOLE.

Insert the fixture [I] through the drywall kit [A] as shown.

**Note:** Insert carefully as to not scratch paint.



### 5 PLACE FIXTURE ON DRYWALL KIT.

Gently lower the fixture [I] onto the drywall kit [A].

