

VIA 3 SEAL PERIMETER Grid

! This product must be installed in accordance with the National Electrical Code and all applicable local codes, by a person familiar with the construction and operation of the product, and the hazards involved. Proper grounding is required for safety.

Ce produit doit être installé suivant le code national de l'électricité, ainsi que tous les codes locaux applicables, par une personne familière avec la construction et le fonctionnement du produit, ainsi que tous les risques qui y sont associés. La mise à terre électrique est obligatoire pour la sécurité.

! Wire dimming conductors as Class 1.

! Fixtures with an output of 1000 lm/ft or higher must not be installed in IC conditions.

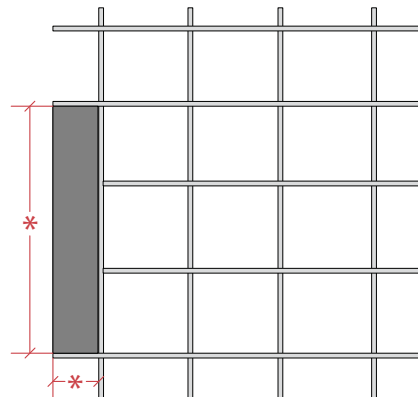
! Shown with shallow option and applicable to level and deep options.

SINGLE FIXTURE

1 PREPARE MOUNTING LOCATION.

Prepare the area and remove ceiling tiles where the fixture is going to be installed as well as the adjacent tiles for easy access during installation.

Locate J-rail position [*] using provided client drawing.



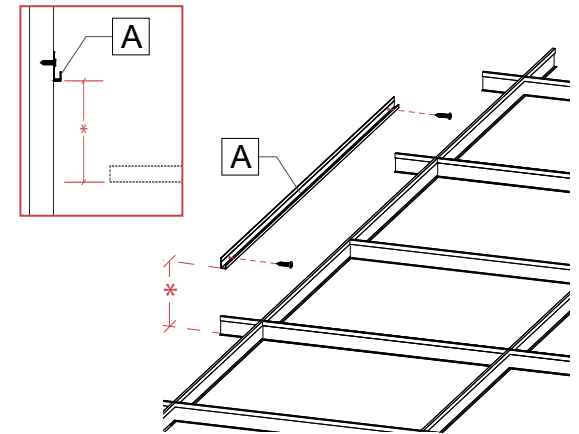
2 INSTALL J-RAIL.

Locate the J-rail [A] height position according to the table below. Align with structural stud or use drywall anchors when needed.

Dimensions *

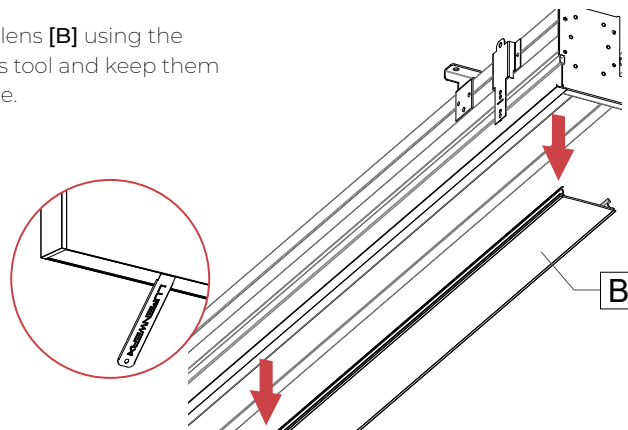
	TB9 TB15	TC9 TC15 ST
Level	1 7/16"	1 3/4"
Shallow	2 7/16"	2 3/4"
Deep	4 11/16"	5"

* Bottom of J-rail to the finished ceiling plane.



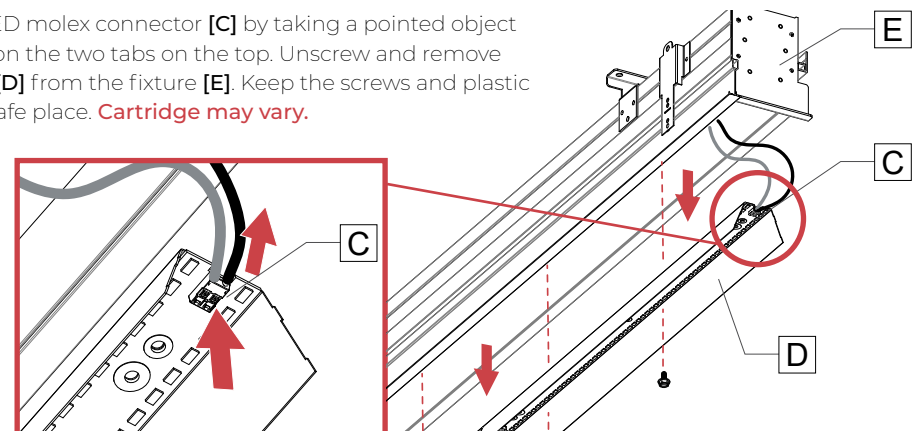
3 REMOVE LENS.

Remove the lens [B] using the provided lens tool and keep them in a safe place.



4 DISCONNECT AND REMOVE CARTRIDGE.

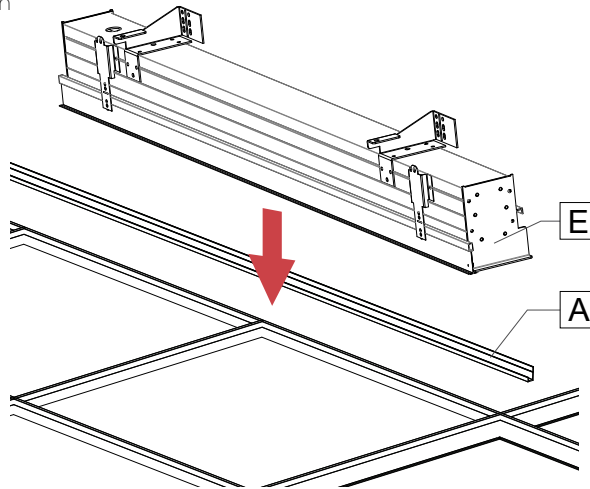
Disconnect LED mox connector [C] by taking a pointed object and pressing on the two tabs on the top. Unscrew and remove the cartridge [D] from the fixture [E]. Keep the screws and plastic washers in a safe place. **Cartridge may vary.**



VIA 3 SEAL PERIMETER Grid

5 DROP FIXTURE INTO J-RAIL.

Place and hook the fixture [E] in the J-rail [A].

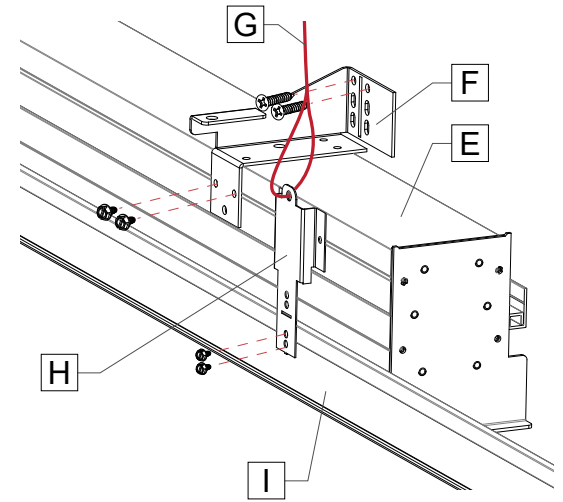


6 SECURE FIXTURE.

Secure the fixture [E] in place by screwing the wall brackets [F] to the wall (screws by others). Then screw the wall brackets [F] to the fixture [E].

Safety wires [G] should be attached to the tabs of the T-bar bracket [H].

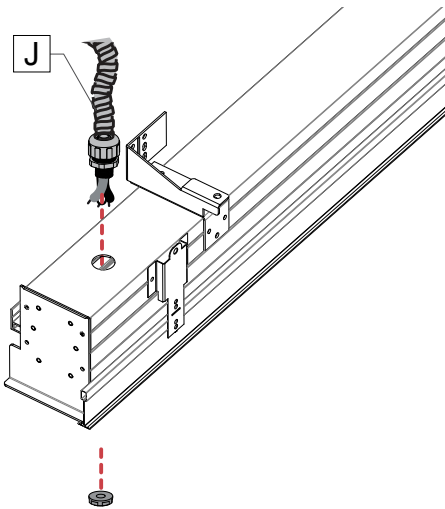
Screw all the T-bar brackets [H] to the T-bar [I] (screws by others).



7 MAKE ELECTRICAL CONNECTIONS.

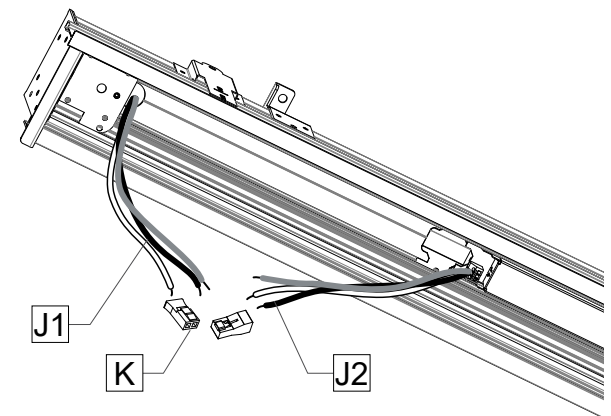
Connect the 1/2" trade size liquid-tight conduit fitting [J] (by others) to the 7/8" hole provided. Make sure the fitting is well tightened. A non-metallic liquid-tight flexible conduit system needs to be used (by others).

Warning: A luminaire with more than one power supply connection means shall be connected to only one branch circuit.



8 CONNECT DRIVER.

Make the electrical connections between power cable [J1] and the fixture using quick connectors [K].



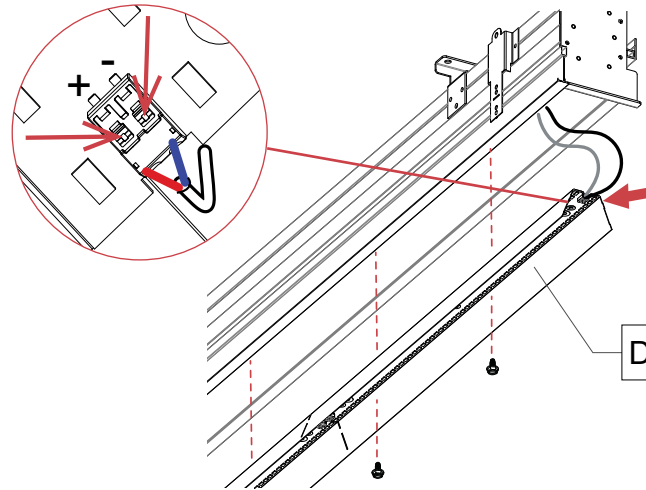
VIA 3 SEAL PERIMETER

Grid

9 RECONNECT CARTRIDGE.

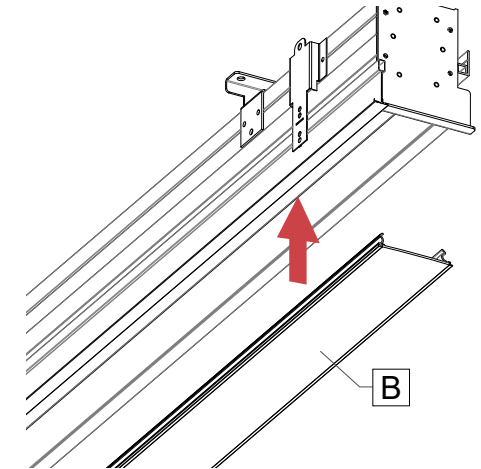
Reconnect the RED and BLUE wires. Reinstall the cartridge [D] by using the screws and plastic washers. **Do not apply too much pressure.**

Note: Connect blue wire into the [-] negative terminal and the red wire into the [+] positive terminal.



10 REINSTALL LENS.

Put the lens [B] back in place.



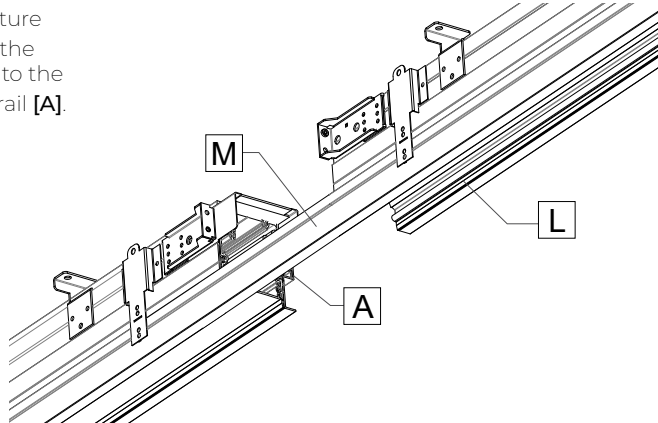
CONTINUOUS RUN

1 FOR THE FIRST FIXTURE IN THE RUN, FOLLOW STEPS **1** - **10** FROM THE SINGLE FIXTURE SECTION.

2 FOR THE SECOND FIXTURE IN THE RUN, FOLLOW STEPS **1** and **2** FROM THE SINGLE FIXTURE SECTION, THEN:
WETL ONLY: FOLLOW STEPS **3** and **4** FROM THE SINGLE FIXTURE SECTION.

3 DROP THE SECOND FIXTURE.

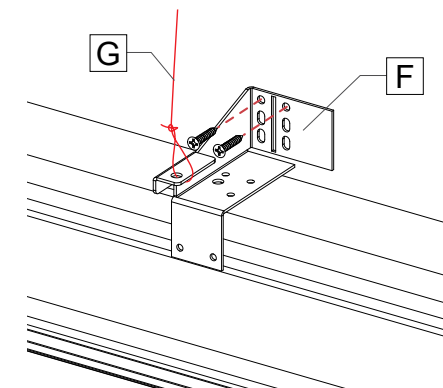
Raise the second fixture [L] of the run above the ceiling and lower onto the T-bar [M] and the J-rail [A].



4 FIX BRACKET TO WALL.

Attach the brackets [F] to the wall with screws (by others).

Secure the brackets [F] to the structure above if necessary (safety wires [G]/ threaded rods by others).



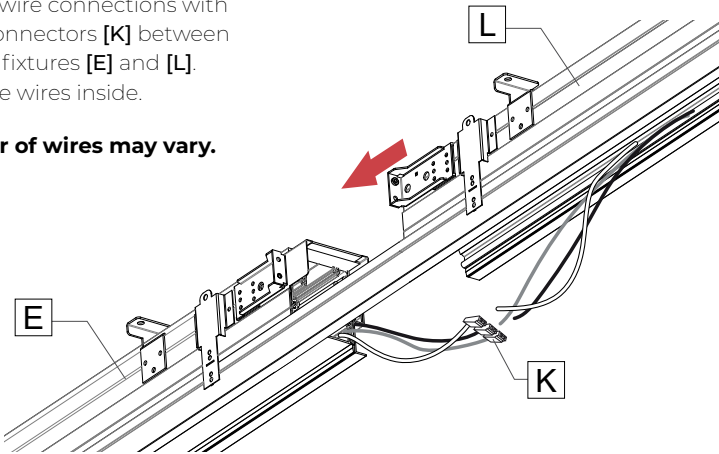
VIA 3 SEAL PERIMETER Grid

5 JOIN FIXTURES AND MAKE ELECTRICAL CONNECTIONS.

WET - Wet suitable

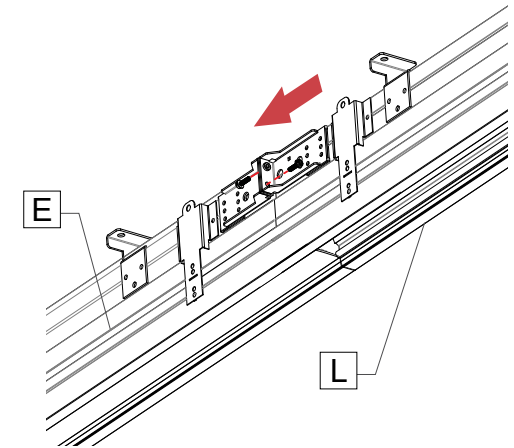
1. Make wire connections with quick connectors [K] between the two fixtures [E] and [L]. Push the wires inside.

Number of wires may vary.



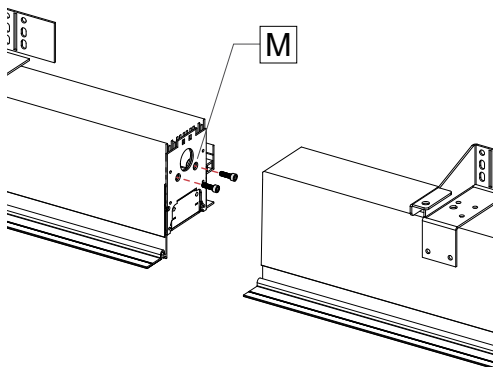
2. Slide the second section [L] next to the first one [E] and join the two sections with screws.

Make sure no wires are caught between the aluminum extrusions.

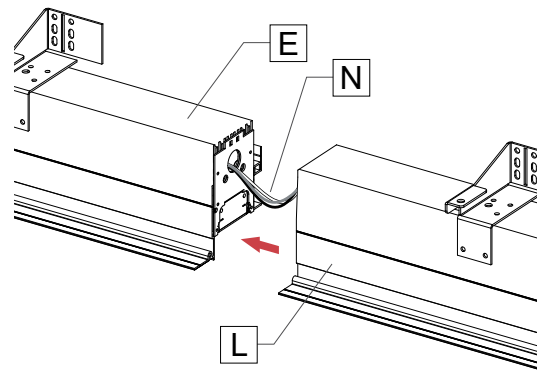


WETL - Wet listed

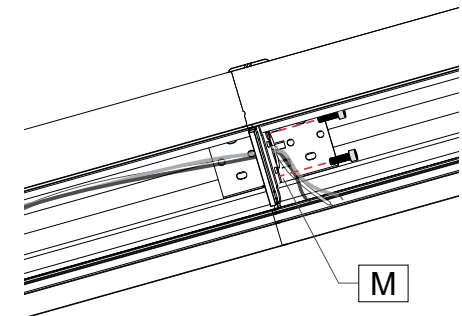
1. Unscrew and remove screws from the internal joiner [M]. Keep them in a safe place.



2. Push wires [N] inside the second fixture [L] through the wire holes in the joiners. Push the second fixture against the first fixture [E].



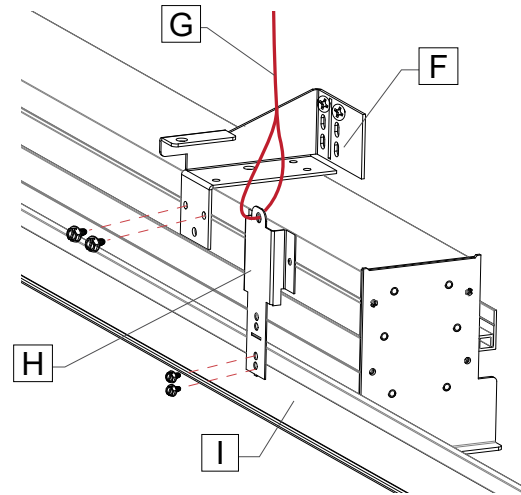
3. Reinstall the joining screws on the internal joiner [M]. Tighten them well and make sure the joining gasket is well compressed between the two extrusions.



VIA 3 SEAL PERIMETER Grid

6 ATTACH SAFETY WIRES & SECURE THE FIXTURE

Screw the wall-brackets [F] to the fixture. Screw every T-bar brackets [H] to the T-bar [I]. Attach safety wires [G] to the brackets.



7 WETL ONLY: FOLLOW STEPS **9** and **10** FROM THE SINGLE FIXTURE SECTION FOR THE SECOND FIXTURE IN THE RUN.

8 REPEAT STEPS **2 - 7** FROM THE CONTINUOUS RUN SECTION FOR THE REST OF THE FIXTURES IN THE RUN.