

IMPORTANT: Installation instructions are shown with Via Perimeter 3 and applies to all Via Perimeter sizes

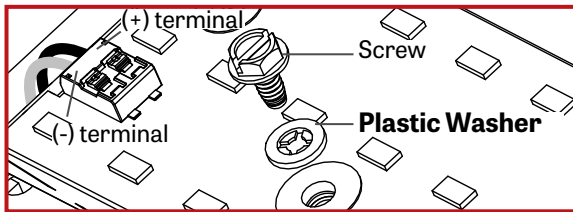
NOTE: Wire dimming conductors as Class 1

NOTE: For wall-to-wall installation, end flanges must be removed.

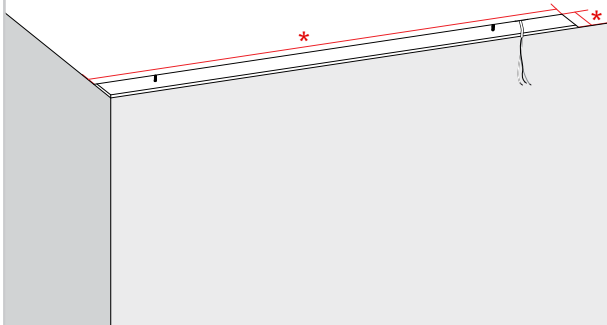


Reflector must be reinstated with the screw and plastic washer that was originally supplied. If not, it can result in an electrical failure.

Make sure to reconnect the wires to the LED boards correctly.

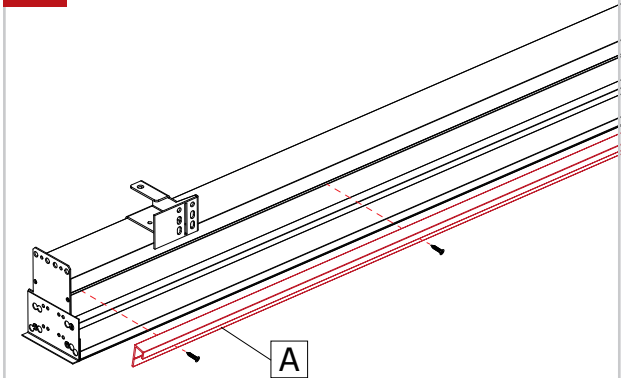


1 SINGLE FIXTURE



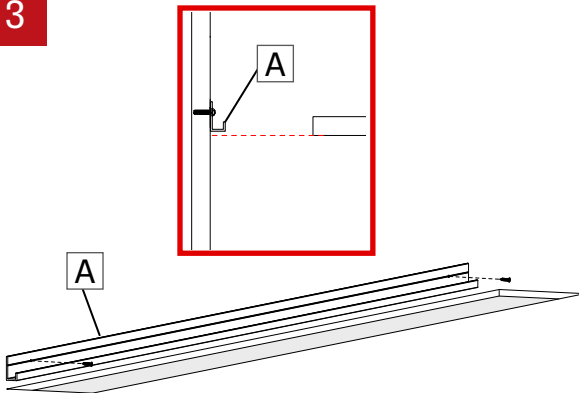
Prepare the area and mark the mounting point location where the fixture is going to be installed according to the dimensions [*] in the client drawings.

2



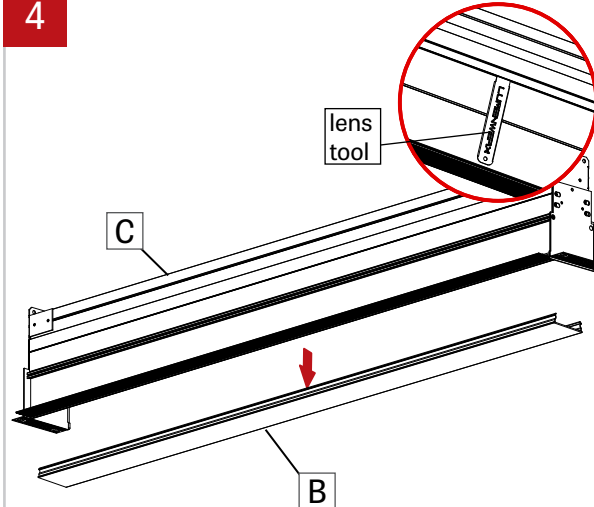
Remove the secured J-rail (A) from the fixture for transport.

3



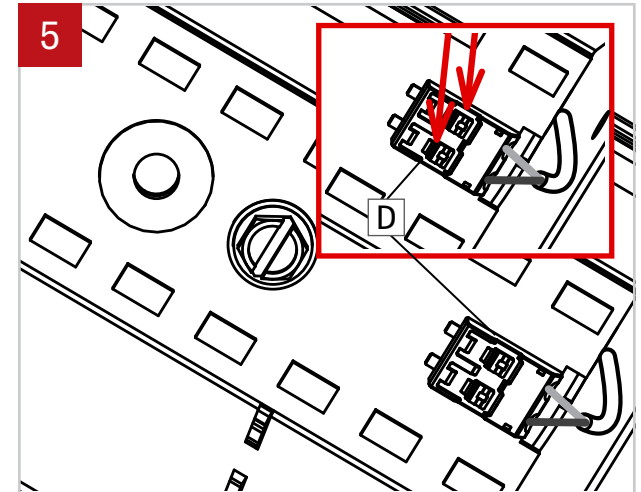
Locate the J-rail (A) position using provided client drawing. Install the J-rail [A], align with structural stud or use drywall anchors when needed. For sleeve adjustment, please refer to end-sleeve installation sheet.

4



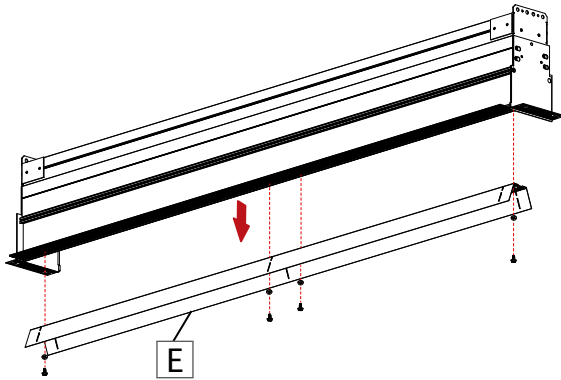
Remove lens (B) from the fixture (C).

5



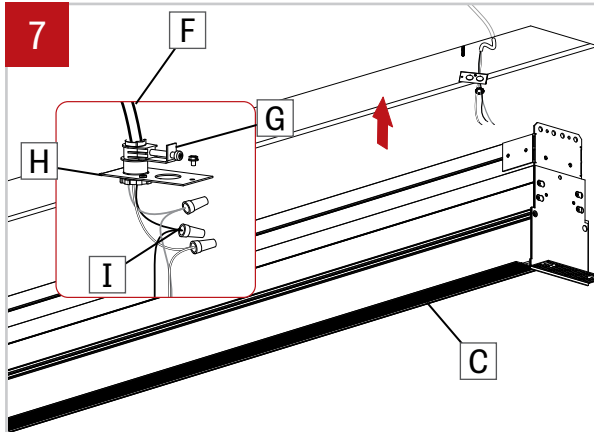
Disconnect LED molex connector (D) by taking a pointed object and pressing on the two tabs on the top.

6



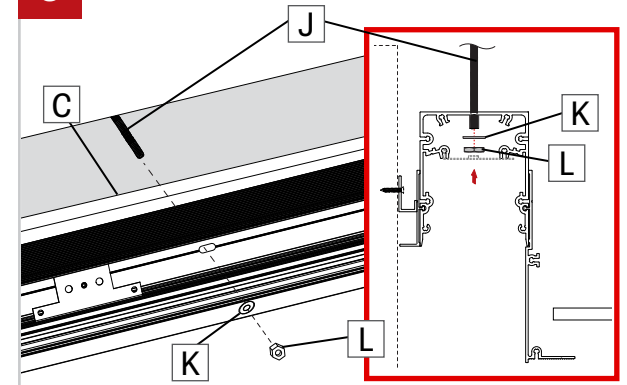
Unscrew and remove the cartridge (E) from the fixture.

7



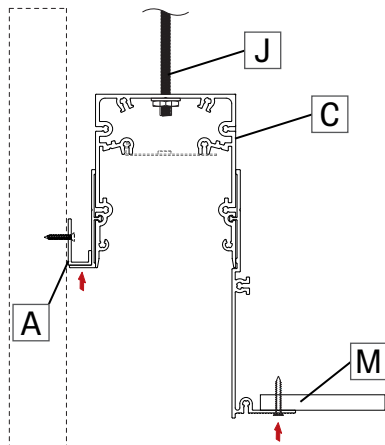
Install power cable (F) (by other) through the BX connector (G) (by other) and install onto the power plate (H) provided. Make electrical connections between power cable (F) and fixture cables using electrical marettes (I). Reinstall the power plate (H) to the fixture (C).

8



Insert fixture (C) into pre-cut hole in drywall, aligning threaded rods (J) with holes in top of fixture (C). Put washers (K) and tighten nuts (L) to secure the fixture (C).

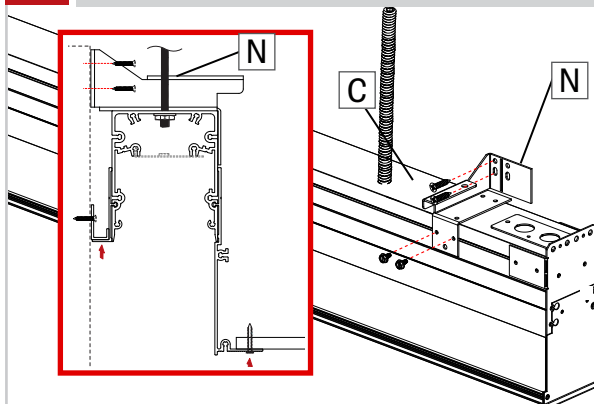
9



Adjust the fixture (C) to the threaded rods (J). On wall side, the fixture (C) must touch the J-rail (A). On ceiling side, flange need to touch the tile (M).

10

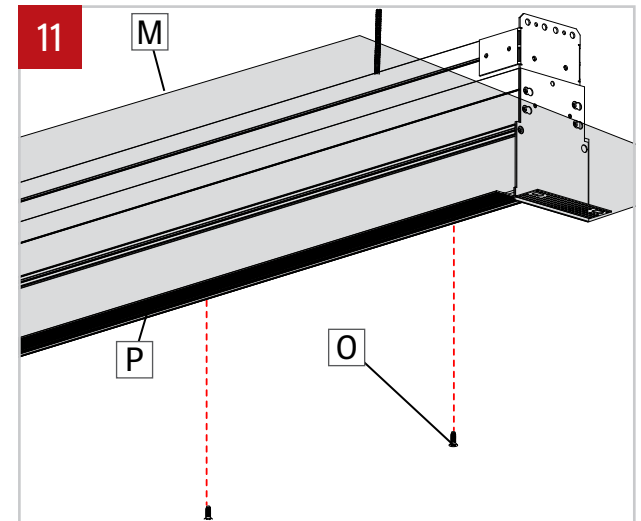
UNFINISH CEILING - WALL BRACKET OPTIONAL



For extra support, use the supplied wall bracket (N) to fix the fixture (C) to the wall.

1. Screw the bracket (N) to the fixture (C).
2. Screw the fixture (C) with the bracket (N) to the wall.

11



Finish the ceiling. Secure the fixture to the ceiling (M) by fastening drywall screws (O) through flanges (P) and ceiling (M).

12

Reinstall the cartridge (E) by **using the screw with plastic washer**. **Do not apply too much pressure**. Reconnect the LED connector (D) to the cartridge (E).

13

Reinstall lens (B) to the fixture (C)

14

Plaster and sand over mud flange (P) to create a smooth finish. When it's a flush lens, remove gently the plastic cover on the lens.

Reflector must be reinstalled with the screw and plastic washer that was originally supplied. If not, it can result in an electrical failure

Make sure to reconnect the wires to the LED boards correctly

(+) terminal
Screw
Plastic Washer
(-) terminal

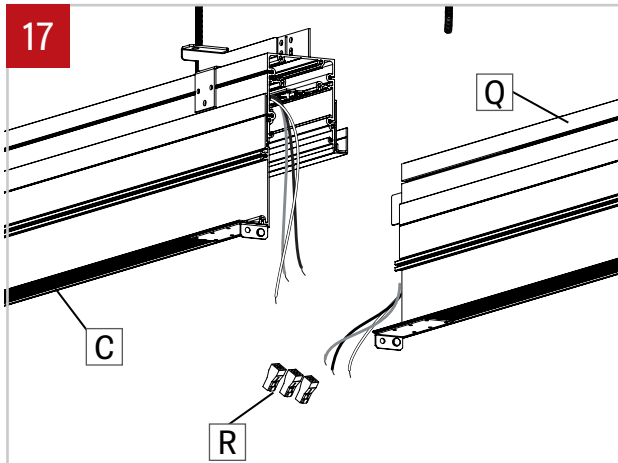
15 CONTINUOUS SYSTEM

Prepare the area and mark the mounting point location where the fixture is going to be installed, according to the dimensions [*] in the client drawings.

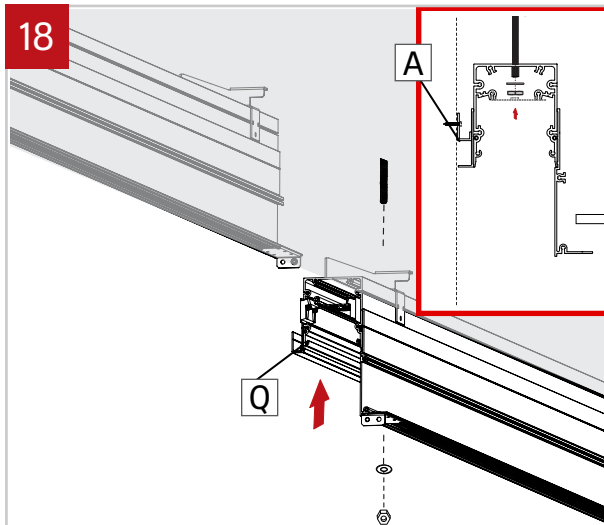
16

FOR A CONTINUOUS RUN, FOLLOW STEPS 2 - 6 FROM THE SINGLE FIXTURE INSTRUCTIONS FOR ALL FIXTURES, THEN:

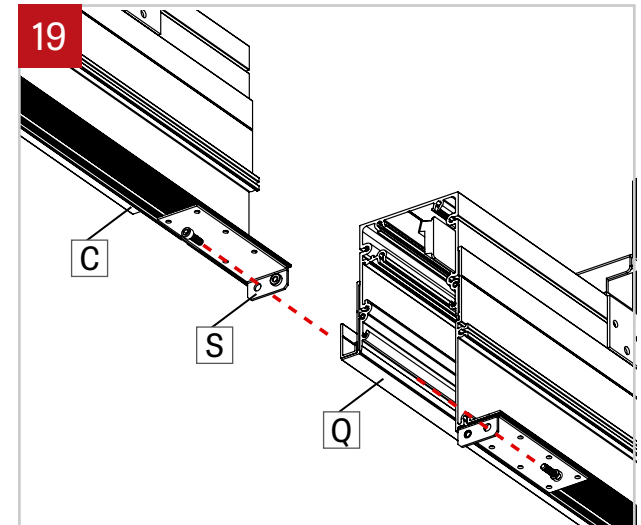
FOLLOW STEPS 7 - 10 FROM THE SINGLE FIXTURE INSTRUCTIONS FOR THE FIRST FIXTURE IN THE RUN,



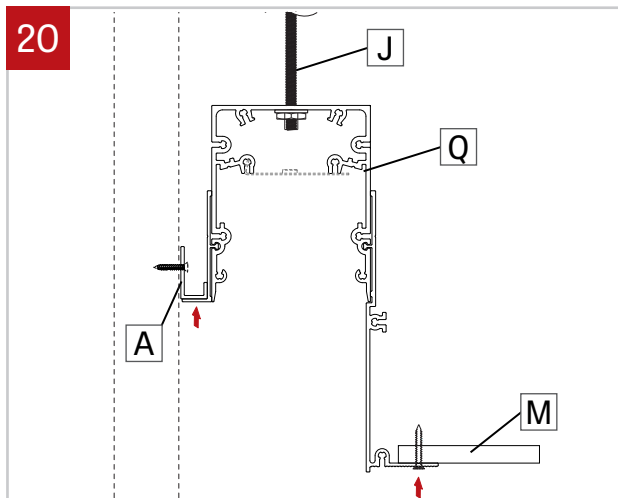
17 Make wires connection between first fixture (C) and second fixture (Q) using quick connectors (R).



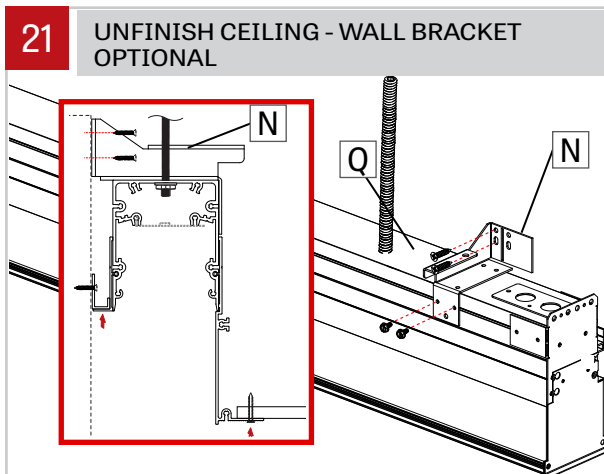
18 Insert second fixture (Q) into J-rail (A), adjustable of 1/4".



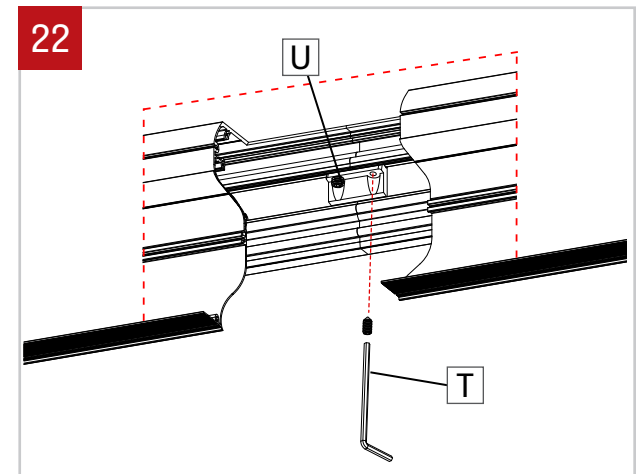
19 Slide the fixture (Q) to the fixture (C). Attach the two fixtures by fastening screws on the joiners (S).



20 Adjust the fixture (Q) to the threaded rods (J). On wall side, the fixture (Q) must touch the J-rail (A). On ceiling side, flange need to touch the tile (M).



21 UNFINISH CEILING - WALL BRACKET OPTIONAL
For extra support, use the supplied wall bracket (N) to fix the fixture (Q) to the wall. On the second fixture:
1. Screw the bracket (N) to the fixture (Q).
2. Screw the fixture (Q) with the bracket (N) to the wall.



22 Tighten the set screws (T) on both joining brackets (U) using Allen Key to secure the fixtures together. Repeat steps 17 - 22 for all other fixtures in the run.

