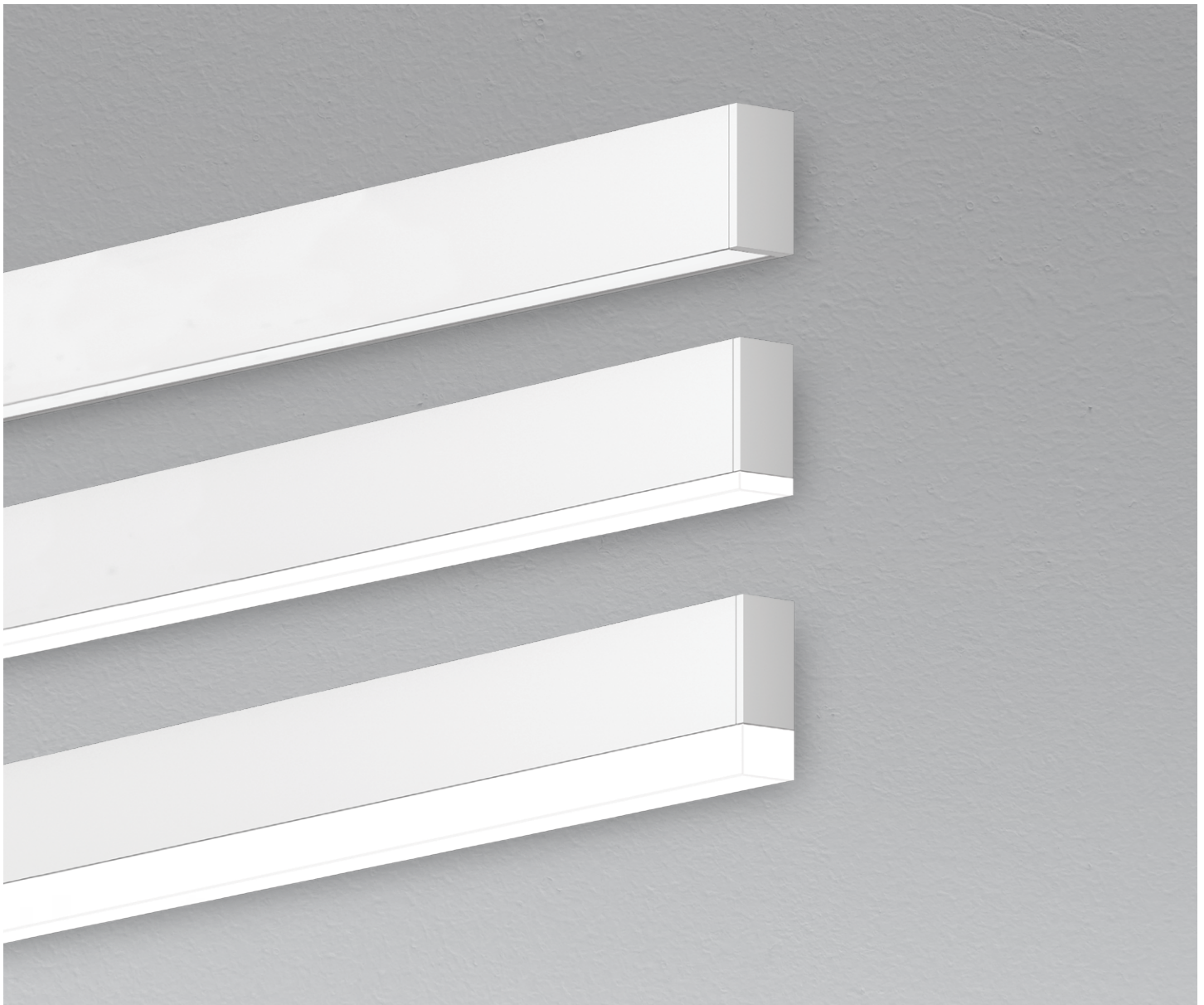


# VIA 1.5 WALL

DIRECT/INDIRECT, DIRECT, INDIRECT  
CHROMAWERX - QUADRO - RGBW



Declare.



Our elegant, flexible Via family is composed of linear, pendant, surface, recessed, and wall mounted luminaires. Each lighting fixture can be installed as a discrete luminaire or in continuous runs or patterns. Via 1.5 Wall is offered with Lambertian optic.

DIRECT



HLO

INDIRECT



CLO

HLO

# VIA 1.5 WALL



DIRECT/INDIRECT, DIRECT, INDIRECT  
CHROMAWERX - QUADRO - RGBW

Project: \_\_\_\_\_

Type: \_\_\_\_\_

## Order Guide

LUMINAIRE ID	DISTRIBUTION	DIRECT OPTIC Specify NA for Indirect fixture	LENS POSITION Specify NA for Indirect fixture	INDIRECT OPTIC Specify NA for Direct fixture	LIGHT SOURCE <sup>3</sup>
<b>VIA1.5W</b>					
<b>VIA1.5W</b> - Via 1.5" Wall	<b>DI</b> - Direct/Indirect <b>D</b> - Direct <b>I</b> - Indirect	<b>HLO</b> - High-Efficiency Lambertian Optic <b>NA</b> - Not applicable	<b>FH</b> - Flush <b>0.5D</b> - 0.5" drop <b>1.5D</b> - 1.5" drop <b>NA</b> - Not applicable	<b>CLO</b> <sup>1</sup> - Clear Lambertian Optic <b>HLO</b> <sup>2</sup> - High-Efficiency Lambertian Optic <b>NA</b> - Not applicable	<b>QUADRO</b> - RGBW 4-channel control <b>RS</b> - Red solid <b>GS</b> - Green solid <b>BS</b> - Blue solid

<sup>1</sup>Available only with Direct/Indirect.  
<sup>2</sup>Not available with Direct/Indirect.

<sup>3</sup>Static white, BIOS, Chromawerx SOLA, and DUO also available. Consult other spec sheets.

WHITE CRI Specify NA for solid colors	WHITE COLOR TEMP. Specify NA for solid colors	DIRECT OUTPUT WATTAGE <sup>4</sup> Specify NA for indirect fixture	INDIRECT OUTPUT WATTAGE <sup>6</sup> Specify NA for Direct fixture	LUMINAIRE LENGTH	VOLTAGE
<b>80CRI</b> - 80+ CRI <b>90CRI</b> - 90+ CRI <b>NA</b> - Not applicable	<b>27K</b> - 2700K <b>30K</b> - 3000K <b>35K</b> - 3500K <b>40K</b> - 4000K <b>50K</b> - 5000K <b>NA</b> - Not applicable	<b>5WF</b> - 5 W/ft output <b>7WF</b> <sup>5</sup> - 7 W/ft output <b>NA</b> - Not applicable	<b>5WF</b> - 5 W/ft output <b>7WF</b> <sup>7</sup> - 7 W/ft output <b>NA</b> - Not applicable	<b>#FT#IN</b> <sup>8</sup> - Specify nominal length (#) in 1' and/or 1" increments  <b>Standard nominal lengths:</b> Single units: 4' to 12' Continuous runs: lengths over 12'	<b>120V</b> - 120V <b>277V</b> - 277V <b>UNV</b> - 120V-277V

<sup>4</sup>See page 3 for dedicated white channel lumen outputs.  
<sup>5</sup>Not available with solid colors.

<sup>6</sup>See page 3 for dedicated white channel lumen outputs.  
<sup>7</sup>Not available with solid colors.

<sup>8</sup>Minimum length is 4'.

DRIVER <sup>9</sup>	ELECTRICAL	MOUNTING	FINISH	OPTION
<b>QUADRO</b> <b>DMX</b> <sup>10,11</sup> - DMX  Solid colors <b>D1</b> - 1% 0-10V <b>DA</b> <sup>11</sup> - DALI	<b>1C</b> - 1 circuit	<b>DMB</b> - Drywall mounting bracket	<b>W</b> - Matte white <b>AL</b> - Aluminum <b>B</b> - Matte black <b>CF#</b> - Custom finish, specify RAL#	<b>FU120</b> - Fuse 120V <b>FU277</b> - Fuse 277V <b>NA</b> - None

<sup>9</sup>PoE (Power-over-Ethernet) compatible. Consult factory for details.  
<sup>10</sup>For more information, see pages 6 to 11.  
<sup>11</sup>On-site commissioning is required.

## Accessories

Optional, order separately

### DMX WALL CONTROLLER <sup>12,13</sup>

**WC1W##FT** - Single zone wall controller white  
**WC1B##FT** - Single zone wall controller black  
**WC2W##FT** - 3 zone wall controller white  
**WC2B##FT** - 3 zone wall controller black

<sup>12</sup>Specify wire length (##) in feet.  
<sup>13</sup>Available with DMX only. For more information, see pages 6 to 11, or consult factory.

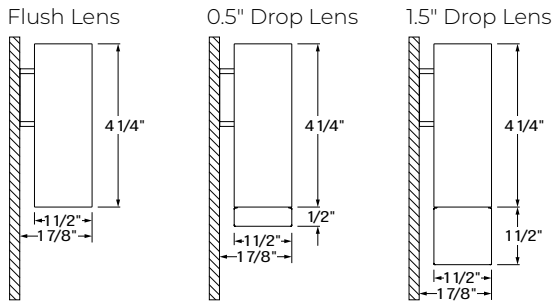
# VIA 1.5 WALL



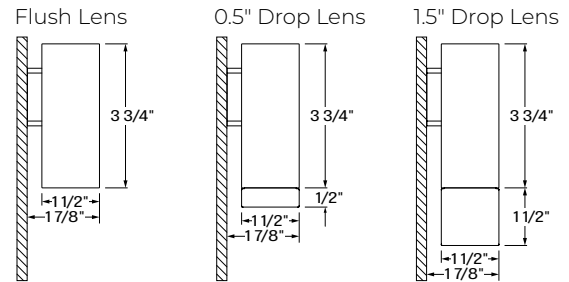
DIRECT/INDIRECT, DIRECT, INDIRECT  
CHROMAWERX - QUADRO - RGBW

## Dimensions

### DIRECT/INDIRECT



### DIRECT or INDIRECT



## Photometrics

Dedicated white channel lumen outputs are calculated with only white light on, and based on a 4' fixture at 3500K for all optics.

### DIRECT OPTIC

OPTIC	W/FT	LM/FT
HLO-FH	5	125
	7	175
HLO-0.5D	5	125
	7	175
HLO-1.5D	5	125
	7	175

### INDIRECT OPTICS

OPTIC	W/FT	LM/FT
CLO	5	275
	7	375
HLO	5	125
	7	175

# VIA 1.5 WALL

DIRECT/INDIRECT, DIRECT, INDIRECT  
CHROMAWERX - QUADRO - RGBW



## Technical Specifications

### DIRECT OPTIC

#### High-Efficiency Lambertian Optic (HLO)

The High-Efficiency Lambertian Optic (HLO) uses matte white reflectors to distribute LED output across 0.075" acrylic shielding, providing up to 88% transmission and good obscuration.

Available as a flush lens or as a drop lens, the HLO has a spacing criterion of 1.12.

### INDIRECT OPTICS

#### Clear Lambertian Optic (CLO)

The Clear Lambertian Optic (CLO) uses a single horizontal LED array and a clear acrylic cover to provide simple uplight with high efficiency.

#### High-Efficiency Lambertian Optic (HLO)

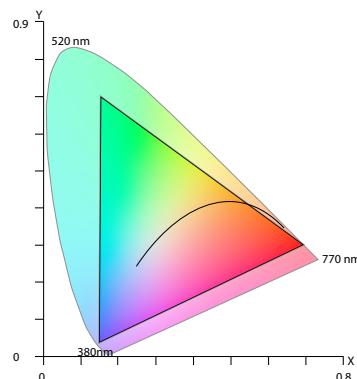
The High-Efficiency Lambertian Optic (HLO) uses matte white reflectors to distribute LED output across 0.075" acrylic shielding, providing up to 88% transmission and good obscuration. HLO has a spacing criterion of 1.12.

### LIGHT SOURCE

Custom linear array of mid-flux LEDs, comprised of an alternation of an RGB and a dedicated white LED. The white LED is used for when a static white CCT is required in the space. RGB LEDs are tightly binned for excellent color control between fixtures. The white LEDs have been tested in accordance with IESNA LM-80-08 and the results have shown L80 lumen maintenance greater than 60,000 hours. Absolute product photometry is measured and presented in accordance with IESNA LM-79, unless otherwise indicated.

### Chromawerx QUADRO

Chromawerx QUADRO is a four-channel control that operates an RGBW LED array and addresses the need for more expressive color in architectural applications. The DMX driver supports familiar programming tools for both dynamic multi-hued color and precise white color point control. While a typical user interface will be a DMX controller by others, Lumenwerx also offers a simple control station for stand-alone color changing applications.



The above diagram overlays the full gamut of colors attainable with the RGBW on top of the CIE 1931 color space. Any color point inside of the triangle can be obtained by setting the correct output levels for each of the individual red, green, blue, and white channels.

### LUMINAIRE LENGTH

Via 1.5 is available in standard lengths of 4' to 12'. Continuous runs are available for run lengths over 12'. Exact run length must be noted in the product code. The minimum length is 4', and can be ordered in 1' and/or 1" increments. All individual sections are joined together onsite using the joiner kits provided. Lumenwerx offers joiner kits that are extremely simple to work with in the field and result in a fixture that appears virtually seamless with no light leak at any connection.

### ELECTRICAL

#### DMX

Factory-set, adjustable output current, multi-channel LED driver with universal (120-277 VAC) input. Using DMX wall controls (optionally supplied by Lumenwerx) or an existing DMX control system, four channels of LEDs (Red/Green/Blue/White) are independently adjustable. Each DMX driver has multiple output channels that can be independently addressed at the factory or on-site using built-in RDM (Remote Device Management) functionality. Dimming range from 100%-0%. At maximum driver load, efficiency<89%, PF>0.9, THD<20%.

#### PoE

Depending on the PoE manufacturer selected, Lumenwerx will install the node in factory as either integral to the luminaire or as a remote module. Factory programming of the PoE node may or may not enable the following functionalities: lumen package, DUO (tunable white), QUADRO (RGBW), emergency battery backup, and sensor integration. These must be addressed and evaluated on a case-by-case basis.

# VIA 1.5 WALL



DIRECT/INDIRECT, DIRECT, INDIRECT  
CHROMAWERX - QUADRO - RGBW

## MOUNTING

Fixtures may be horizontally mounted to the wall using a bracket.  
For long runs, a minimum of 6" from adjacent wall is required.

## FINISH

**Interior:** 95%, reflective matte powder coated white paint  
**Exterior:** Matte white, matte black or aluminum powder coating.  
Custom finishes are also available.

## CONSTRUCTION

**Housing:** Extruded aluminum, up to 90% recycled content  
**Interior brackets:** Die-formed cold rolled sheet steel  
**Joining system:** Die-cast zinc  
**Reflectors:** Die-formed cold rolled steel, 95% reflective matte white painted  
**Lens:** Acrylic  
**Drop lens:** Extruded with glued end caps  
**End caps:** Die-cast aluminum

## WEIGHT

Direct/Indirect	Direct or Indirect
<b>4':</b> 8.26 lbs - 3.75 kg	<b>4':</b> 7.16 lbs - 3.25 kg
<b>8':</b> 16.52 lbs - 7.5 kg	<b>8':</b> 14.32 lbs - 6.5 kg
<b>12':</b> 24.78 lbs - 11.25 kg	<b>12':</b> 21.48 lbs - 9.75 kg

## CERTIFICATIONS

**ETL:** Rated for indoor dry/damp locations. Conforms to UL Standard 1598 and certified to CAN/CSA Standard C22.2 No. 250.0.  
**Declare:** [LBC Red List Approved](#)

## WARRANTY

Lumenwerx provides a five-year limited warranty on electrical and mechanical performance of the luminaires, including the LED boards, drivers, and auxiliary electronics. Lumenwerx will repair or replace defective luminaires or components at our discretion, provided they have been installed and operated in accordance with our specifications. Other limitations apply, please refer to the full warranty on our website.

Wall controllers are covered by the manufacturer warranty.

# VIA 1.5 WALL



DIRECT/INDIRECT, DIRECT, INDIRECT  
CHROMAWERX - QUADRO - RGBW

## QUADRO DMX SPECIFICATION

A qualified DMX integrator is required to assure proper installation and commissioning of the DMX network. **When placing the PO, please provide the contact information of your DMX integrator.**

Please answer the following questions to help us identify your DMX network requirements.

YES

Do you require a wall controller provided by Lumenwerx?

NO

DMX controller supplied by Lumenwerx

DMX control system supplied by others. Lumenwerx will supply DMX-enabled fixtures with default DMX addressing. See following pages for technical DMX informations. ✓

**How many zones do you have?**

A zone consists of one or more luminaires behaving identically.



1 Zone



2 Zones

**How to calculate the required number of drivers:**

per 4' fixture  
Driver  
1x driver  
Less than 12.5W/ft, direct only

per 4' fixture  
Driver Driver  
2x driver  
Above 12.5W/ft or for all direct/indirect fixture

To Calculate # of drivers

1 Zone

2 to 3 Zones

4 or more Zones

Do you have more than 32 drivers in total?

NO

YES

Order a standard Lumenwerx wall controller type 1.

### WALL CONTROLLER

**WC1W** - Single zone wall controller white  
**WC1B** - Single zone wall controller black

Add the control code at the end of your order code.

Please provide a fixture layout or RCP (Reflected Ceiling Plan) showing the locations of the DMX fixtures, zones and the DMX wall controller.

Refer to your DMX integrator for the installation. ✓

Subject to factory evaluation. Please contact our controls specialist at [controls@lumenwerx.com](mailto:controls@lumenwerx.com). Additional cost and equipment will be required. ✓

NO

YES

Order a standard Lumenwerx wall controller type 2.

### WALL CONTROLLER

**WC2W** - 3 zone wall controller white  
**WC2B** - 3 zone wall controller black

Add the control code at the end of your order code.

Please provide a fixture layout or RCP (Reflected Ceiling Plan) showing the locations of the DMX fixtures, zones and the DMX wall controller.

Refer to your DMX integrator for the installation. ✓

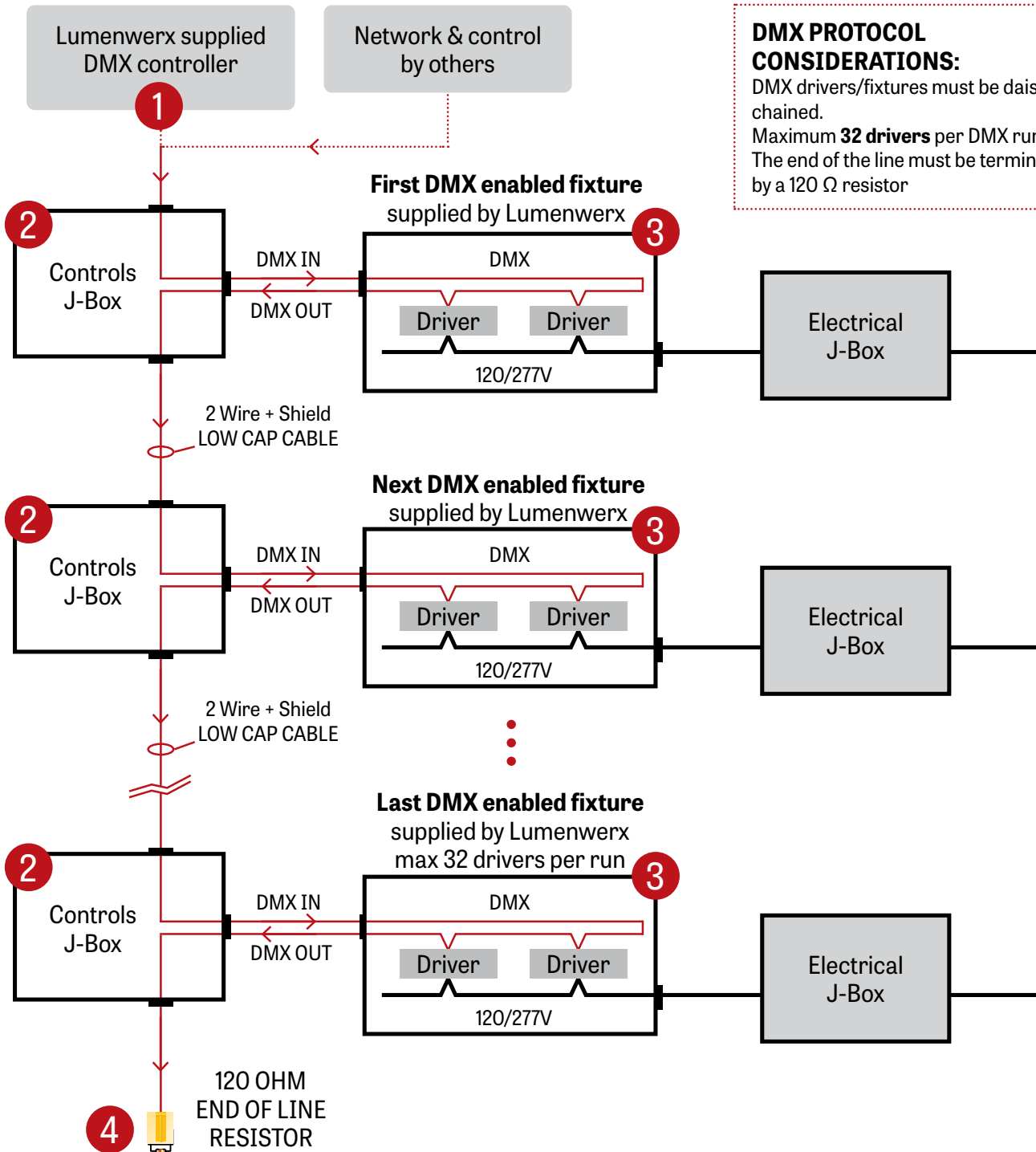
Subject to factory evaluation. Please contact our controls specialist at [controls@lumenwerx.com](mailto:controls@lumenwerx.com). Additional cost and equipment will be required. ✓

Subject to factory evaluation and approval. Please contact our controls specialist at [controls@lumenwerx.com](mailto:controls@lumenwerx.com). Additional cost and equipment will be required. ✓

# VIA 1.5 WALL

DIRECT/INDIRECT, DIRECT, INDIRECT  
CHROMAWERX - QUADRO - RGBW

## GENERIC DMX NETWORK ARCHITECTURE



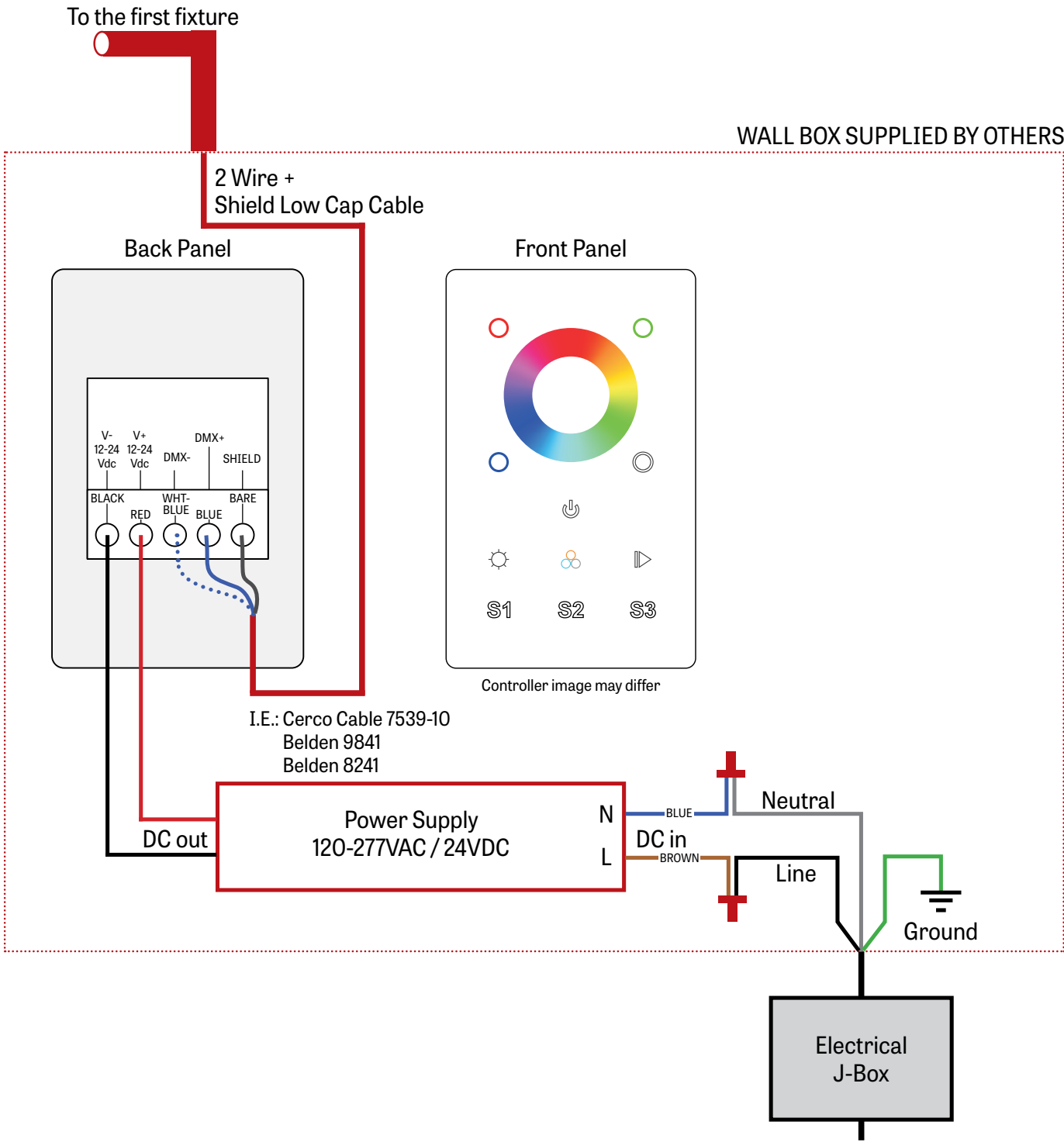
### DMX PROTOCOL CONSIDERATIONS:

DMX drivers/fixtures must be daisy chained.  
Maximum **32 drivers** per DMX run.  
The end of the line must be terminated by a 120 Ω resistor

# VIA 1.5 WALL

DIRECT/INDIRECT, DIRECT, INDIRECT  
CHROMAWERX - QUADRO - RGBW

## 1 LUMENWERX SUPPLIED DMX CONTROLLER

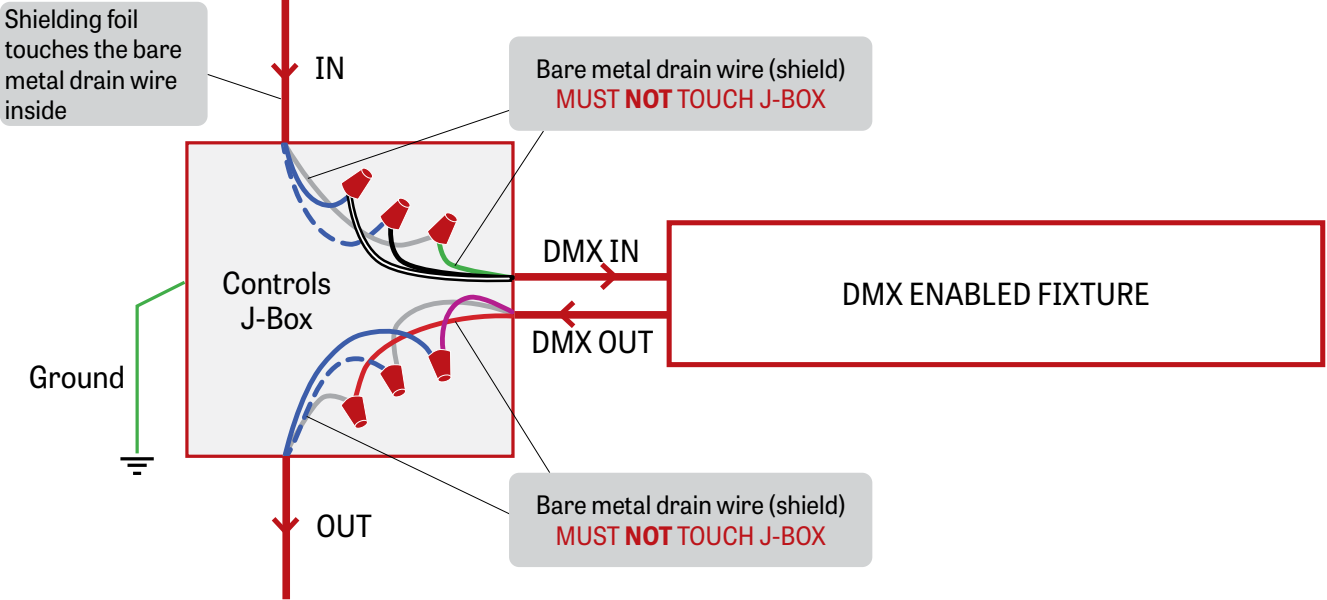


# VIA 1.5 WALL

DIRECT/INDIRECT, DIRECT, INDIRECT  
CHROMAWERX - QUADRO - RGBW

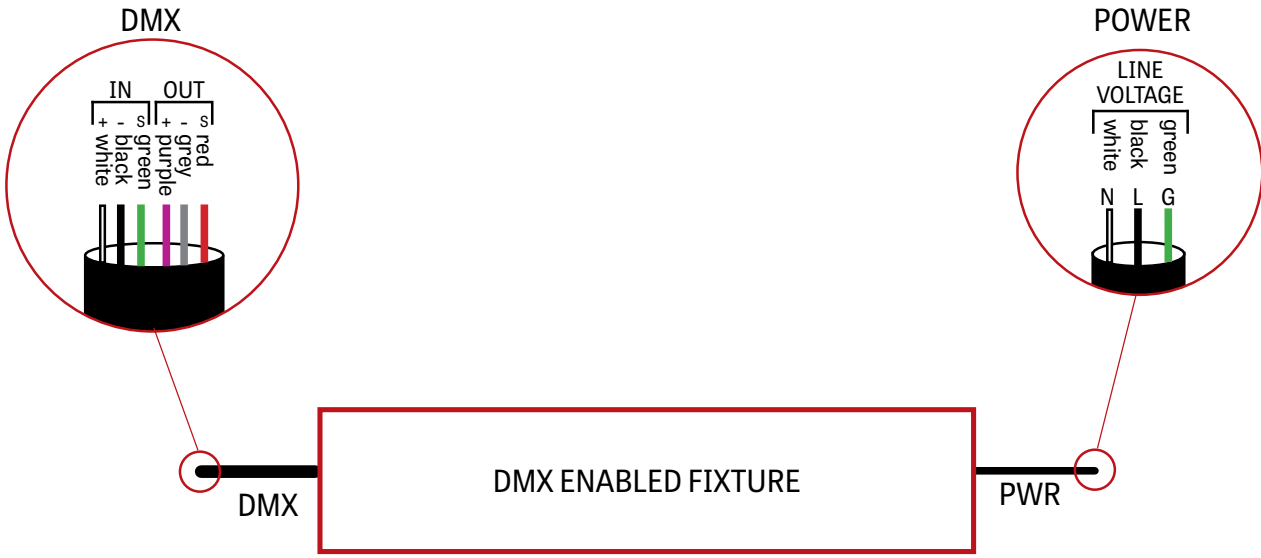
## 2 J-BOX DMX DAISY CHAIN DETAIL

Low capacitance DMX cable from previous fixture



Low capacitance DMX cable to next fixture

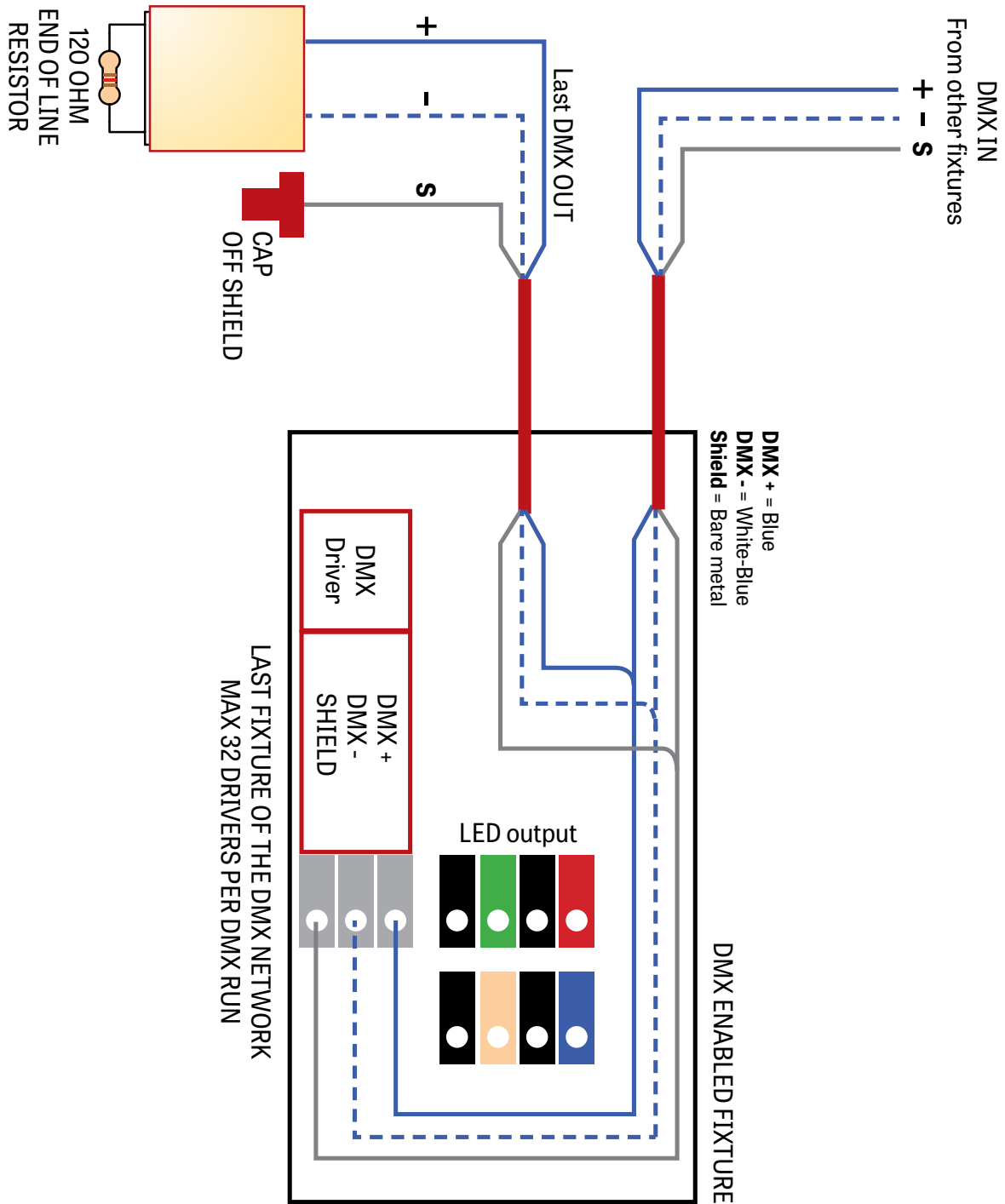
## 3 DMX CONNECTION PENDANT & WALL



# VIA 1.5 WALL

DIRECT/INDIRECT, DIRECT, INDIRECT  
CHROMAWERX - QUADRO - RGBW

## 4 DMX LAST FIXTURE DETAIL

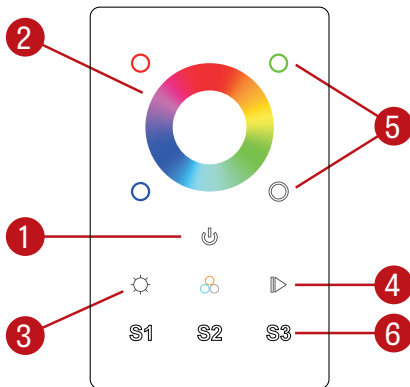


# VIA 1.5 WALL

DIRECT/INDIRECT, DIRECT, INDIRECT  
CHROMAWERX - QUADRO - RGBW

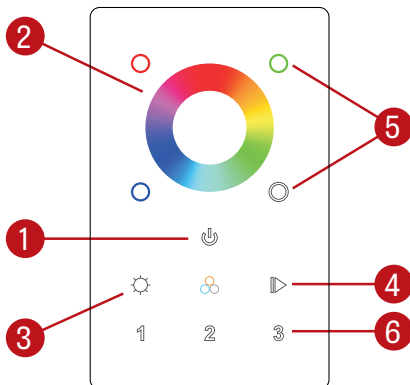
## DMX WALL CONTROLLER

### WC1



- (1) Power: Use this button to turn ON or OFF the RGBW fixture.
- (2) Color Wheel: The wheel is used to rapidly select a color (RGB colors only).
- (3) Brightness (RGB): Hold down this button to either increase or decrease the brightness of the current RGB selection. White will not be affected by the RGB brightness button.
- (4) Color Cycle: This button will start an animation, rotating between Reds Greens and Blues, the arrows allow the user to speed up or slow down the animation.
- (5) Individual Colors: By pressing and holding a color it will be possible to brighten or dim it. Quickly pressing a color will turn it OFF or turn it ON to its previous dim level.  
White: In order to activate or deactivate and dim the White channel, the White button needs to be used.
- (6) Scenes: By holding down one of the scenes button, the current color selection is saved. It can be later accessed by quickly pressing on one of the Scene buttons.

### WC2



- (1) Power: Use this button to turn ON or OFF the RGBW fixture.
- (2) Color Wheel: The wheel is used to rapidly select a color (RGB colors only).
- (3) Brightness: Hold down this button to either increase or decrease the brightness of the current RGB selection. White will not be affected by the RGB brightness button.
- (4) Color Cycle: This button will start an animation, rotating between Reds Greens and Blues, the arrows allow the user to speed up or slow down the animation.
- (5) Individual Colors: By pressing a color it will be possible to brighten or dim that specific color.  
White: In order to activate or deactivate and dim the White channel, the White button needs to be used.
- (6) Zone: By holding down one of the zone buttons, a zone can be selected and controlled.

### Default DMX Addresses:

- 1 Red
- 2 Green
- 3 Blue
- 4 White