




## INSTALLATION INSTRUCTIONS

 This product must be installed in accordance with the National Electrical Code and all applicable local codes, by a person familiar with the construction and operation of the product, and the hazards involved. Proper grounding is required for safety.

Ce produit doit être installé suivant le code national de l'électricité, ainsi que tous les codes locaux applicables, par une personne familière avec la construction et le fonctionnement du produit, ainsi que tous les risques qui y sont associés. La mise à terre électrique est obligatoire pour la sécurité.

 Disconnect power before installation or servicing.

 Do not cover the light element lens or heatsink with any materials or adhesive tapes when the fixture is powered.

 Handle the LED cartridge carefully during removal and installation. Tools must not touch the LED chips. Contact may result in damage and LED failure.

 Wire dimming conductors as Class 1.

 A luminaire with more than one power supply connection means shall be connected to only one branch circuit.

 For luminaires specified as recessed, clearance between the sides of the luminaire and parts of the building must be 1/2" minimum; clearance to insulating materials to be 3" minimum, unless luminaire is IC rated.

 Warranty claims will not be accepted if incorrect driver or light element is used.

# Via 2 - 3 - 4 Seal Pendant



**!** This product must be installed in accordance with the National Electrical Code and all applicable local codes, by a person familiar with the construction and operation of the product, and the hazards involved. Proper grounding is required for safety.

Ce produit doit être installé suivant le code national de l'électricité, ainsi que tous les codes locaux applicables, par une personne familière avec la construction et le fonctionnement du produit, ainsi que tous les risques qui y sont associés. La mise à terre électrique est obligatoire pour la sécurité.

**!** Wire dimming conductors as Class 1.

**!** For wet location installations, properly seal all mounting and electrical points.

**💡** Shown with Via 4 Seal and applies to Via 2 Seal & Via 3 Seal.

## SINGLE FIXTURE

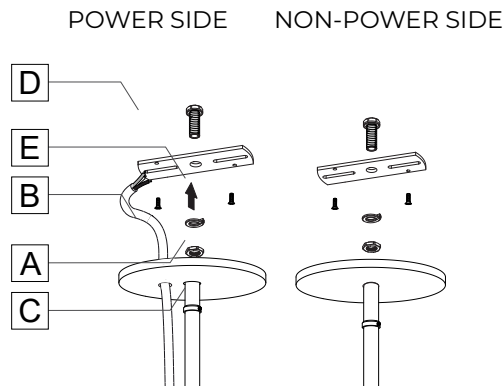
### 1 INSTALL ALL CANOPIES.

**Caution:** Make sure the electrical power is turned off.

Refer to dimensions supplied in client drawings and locate mounting points (E) on the ceiling.

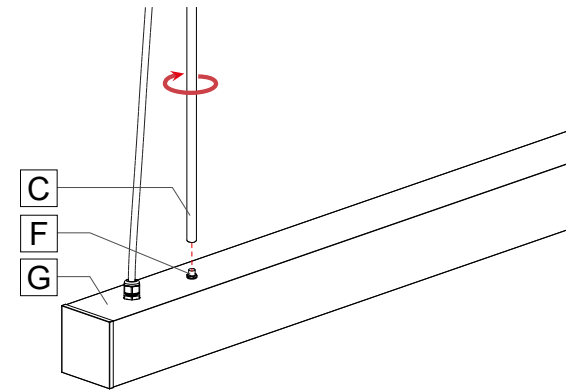
Slide the slip ring [A] and the canopy [B] onto the stem [C] and leave some space.

Screw the junction box crossbar [D] onto the stem's nipple [E].



### 2 INSTALL THE STEMS ON THE FIXTURE.

Screw the stems [C] onto the nipple [F] at the ends of the fixture [G].



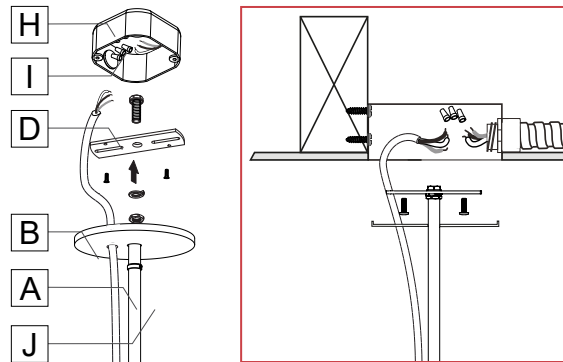
### 3 INSTALL THE FIXTURE TO THE CEILING.

#### POWER SIDE

Raise the fixture and tighten the junction box crossbar [D] with screws to the junction box [H]. Make electrical connection with wire nuts [I].

Slide the canopy [B] up and tighten the slip ring [A] with the set screw [J].

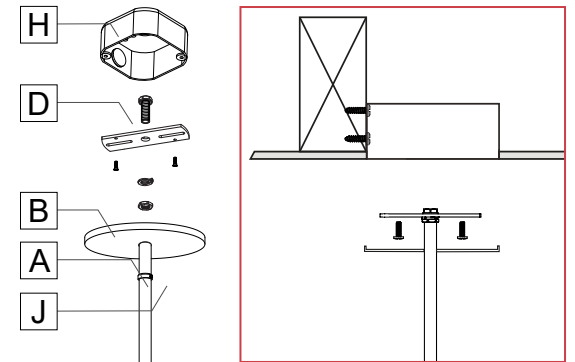
**Warning:** A luminaire with more than one power supply connection means shall be connected to only one branch circuit.



#### NON-POWER SIDE

Raise the fixture and tighten the junction box crossbar [D] with screws to the junction box [H].

Slide the canopy [B] up and tighten the slip ring [A] with the set screw [J].



# Via 2 - 3 - 4 Seal Pendant



## CONTINUOUS RUN

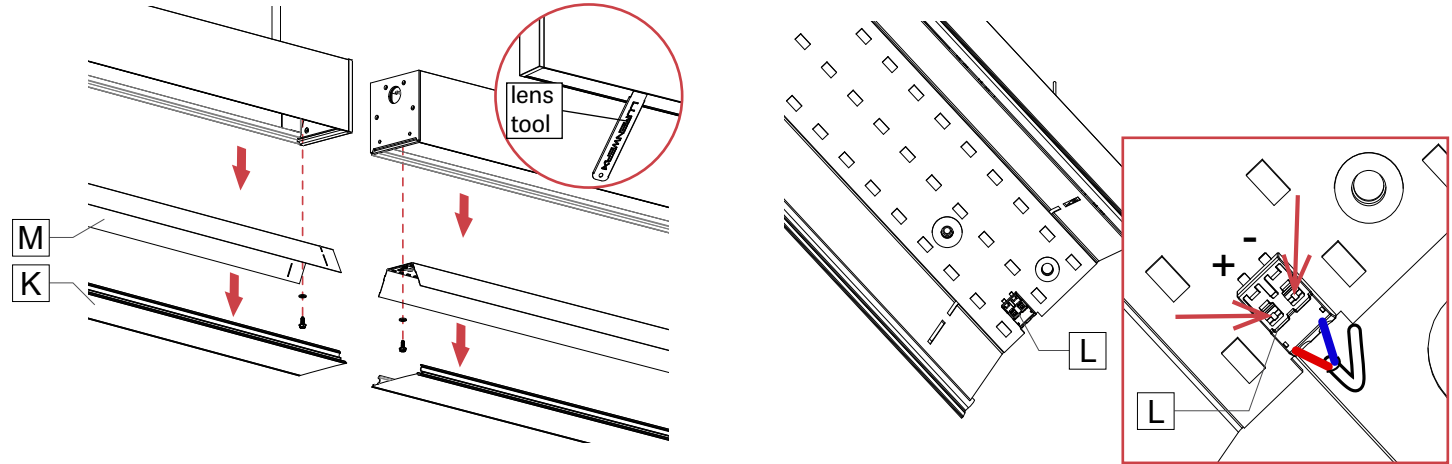
**1** FOR CONTINUOUS RUN, REPEAT STEP 1 FROM THE SINGLE FIXTURE SECTION FOR ALL CANOPIES, THEN: .....

**2** REMOVE DIRECT LENSES AND REFLECTORS. ....

Remove lenses [K] with the provided lens tool.

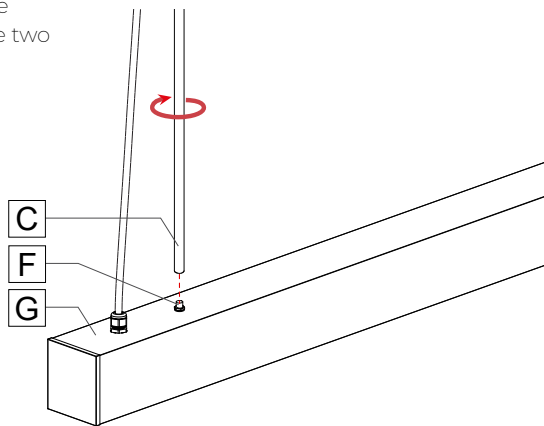
Disconnect LED molex connector [L] by taking a pointed object and pressing on the two tabs on top.

Remove the reflectors [M] from the joining ends of the fixtures in the run.



**3** INSTALL THE STEMS ON THE FIXTURE. ....

Screw the stems [C] onto the nipples [F] at the ends of the two fixtures [G].



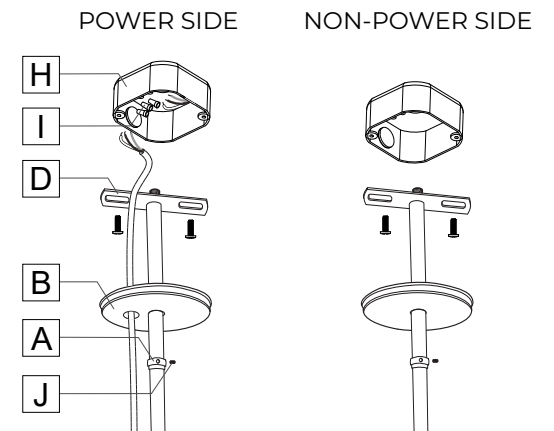
**4** INSTALL THE FIXTURE TO THE CEILING. ....

Raise the first fixture and tighten the junction box crossbar [D] with screws to the junction box [H].

Make electrical connection with wire nuts [I] (only for power side).

Slide the canopy [B] up and tighten the slip ring [A] with the set screw [J].

**Warning:** A luminaire with more than one power supply connection means shall be connected to only one branch circuit.



# Via 2 - 3 - 4 Seal Pendant

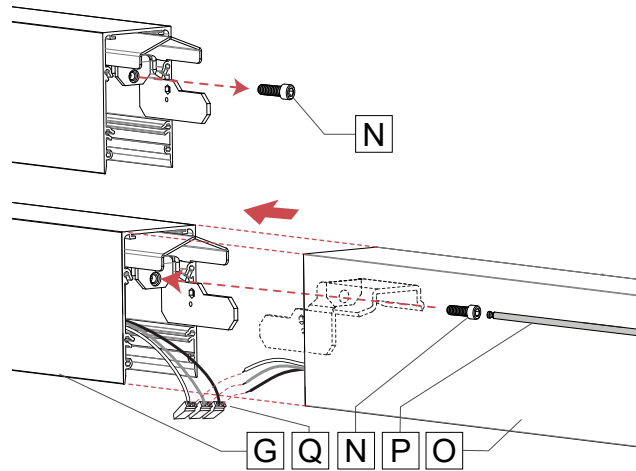


## 5 JOIN FIXTURES. .... IP65EC / IP44

### Direct fixture

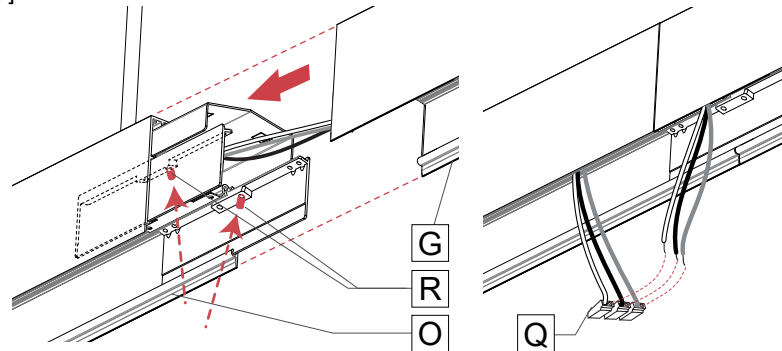
#### Via 2 Seal

- 1- Remove the screw [N] from the joiner.
- 2- Align the second fixture [O] to the first fixture [C]. Attach the second fixture [O] to the ceiling shown in step 4. Join the fixtures together. Put the joiner screw [N] back and tighten using a 3/16" ball-end screwdriver [P] to pull the extrusions together.
- 3- Connect wires between joining fixtures using quick connectors [Q]. Number of wires may vary.



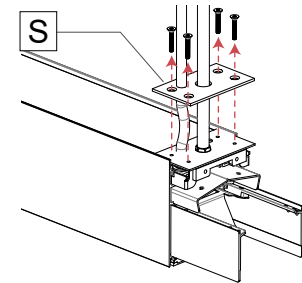
#### Via 3 Seal & Via 4 Seal

- 1- Align the second fixture [O] to the first fixture [G]. Attach the second fixture [O] to the ceiling shown in step 4. Join the fixtures together and secure them by tightening the set screws [R].
- 2- Connect wires between joining fixtures using quick connectors [Q]. Number of wires may vary.

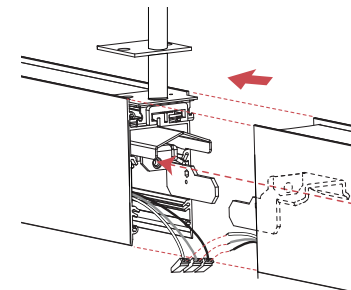


### Direct / Indirect fixture

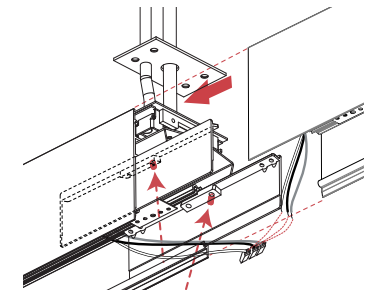
- 1- Unscrew the joiner cover [S].  
**Note:** Number of screws may vary.



- 2- Join and connect fixtures according to Direct fixture section.

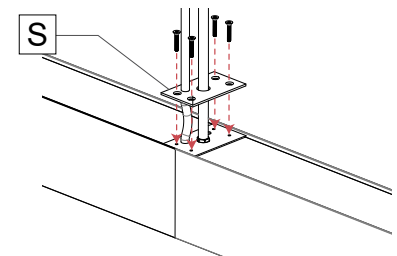


Via 2 Seal



Via 4 Seal

- 3- Screw back and tighten the joiner cover [S].



# Via 2 - 3 - 4 Seal Pendant

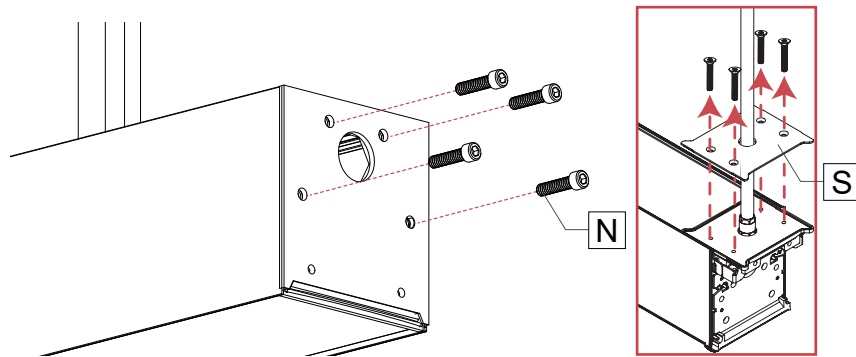


## 5 JOIN FIXTURES. .... IP66 / IP65 / IP64 / IP54 .....

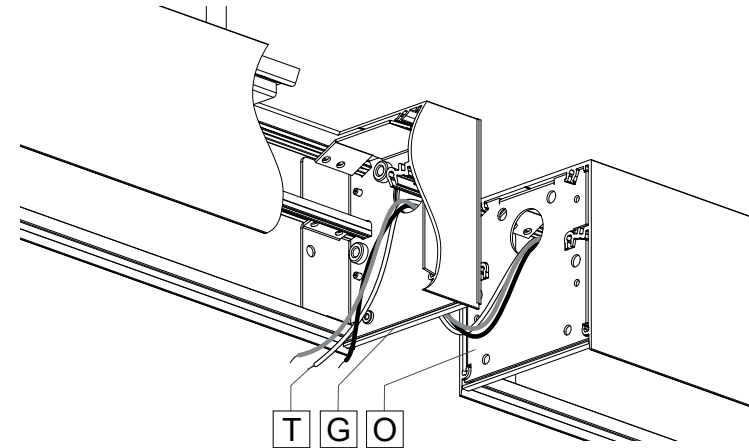
**1-** Unscrew and remove the screws [N] from the end cap of the joiner. Keep them in a safe place.

**Note:** Number of screws may vary.

**Note:** For IP65 and IP64 Direct/Indirect, unscrew the joiner cover [S].

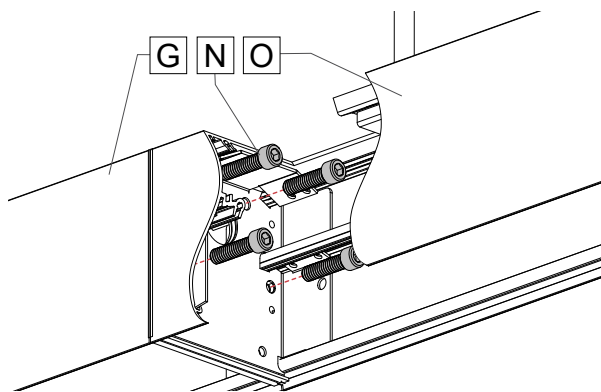


**2-** Push the wires [T] of the second fixture [O] inside the first fixture [G] through the holes of the end caps.



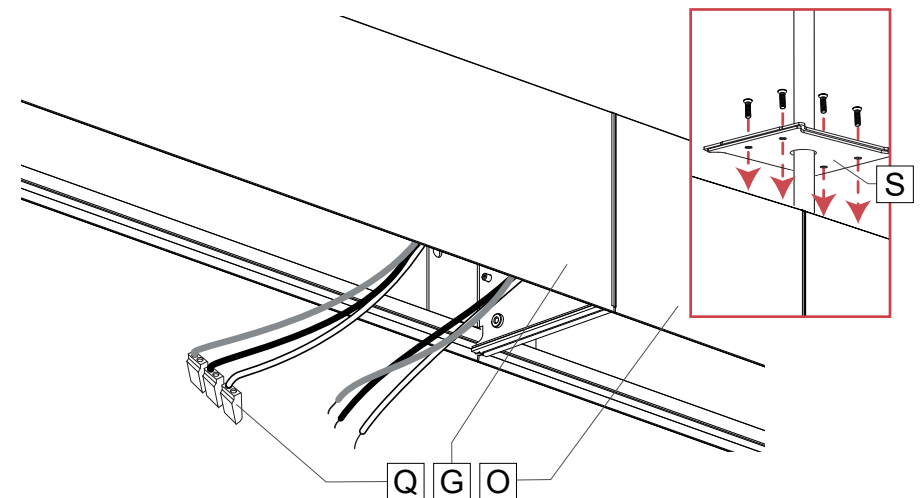
**3-** Align the second fixture [O] to the first fixture [G]. Attach the second fixture [O] to the ceiling shown in step 4. Reinstall the screws [N] from the inside of the second fixture [O]. Tighten the joining screws and make sure the joining gasket is well compressed between the two extrusions.

**Note:** Number of screws may vary.



**4-** Make the wire connections between fixtures [G] and [O] using quick connectors [Q].

**Note:** For IP65 and IP64 Direct/Indirect, screw back and tighten the joiner cover [S].



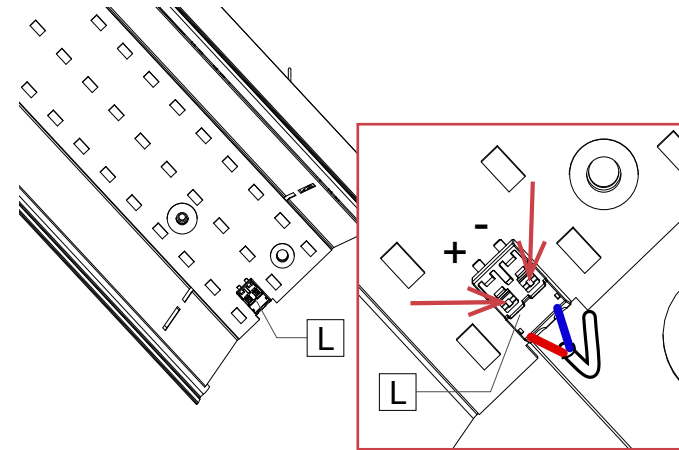
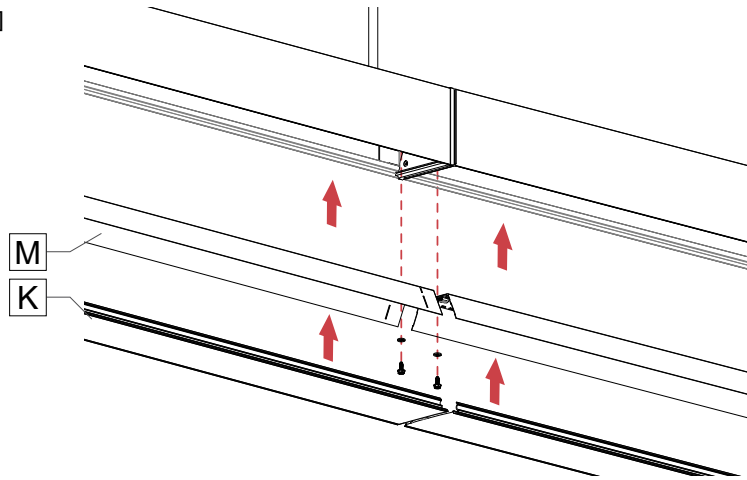
# Via 2 - 3 - 4 Seal Pendant



## 6 REINSTALL REFLECTORS AND LENSES.

Reinstall the reflectors [M] and reconnect the LED molex connector [L]. Snap the lenses [K] back in place.

**Note:** Connect blue wire into the [-] negative terminal and the red wire into the [+] positive terminal.



## 7 REPEAT STEPS 5 & 6 FOR THE REST OF THE FIXTURES IN THE RUN.