




INSTALLATION INSTRUCTIONS

 This product must be installed in accordance with the National Electrical Code and all applicable local codes, by a person familiar with the construction and operation of the product, and the hazards involved. Proper grounding is required for safety.

Ce produit doit être installé suivant le code national de l'électricité, ainsi que tous les codes locaux applicables, par une personne familière avec la construction et le fonctionnement du produit, ainsi que tous les risques qui y sont associés. La mise à terre électrique est obligatoire pour la sécurité.

 Disconnect power before installation or servicing.

 Do not cover the light element lens or heatsink with any materials or adhesive tapes when the fixture is powered.

 Handle the LED cartridge carefully during removal and installation. Tools must not touch the LED chips. Contact may result in damage and LED failure.

 Wire dimming conductors as Class 1.

 A luminaire with more than one power supply connection means shall be connected to only one branch circuit.

 For luminaires specified as recessed, clearance between the sides of the luminaire and parts of the building must be 1/2" minimum; clearance to insulating materials to be 3" minimum, unless luminaire is IC rated.

 Warranty claims will not be accepted if incorrect driver or light element is used.

Via 2 - 3 - 4 Seal

Recessed - Drywall Trim/Trimless



! This product must be installed in accordance with the National Electrical Code and all applicable local codes, by a person familiar with the construction and operation of the product, and the hazards involved. Proper grounding is required for safety.

Ce produit doit être installé suivant le code national de l'électricité, ainsi que tous les codes locaux applicables, par une personne familière avec la construction et le fonctionnement du produit, ainsi que tous les risques qui y sont associés. La mise à terre électrique est obligatoire pour la sécurité.

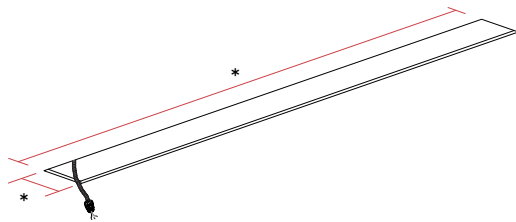
- !** Wire dimming conductors as Class 1.
- !** For wet location installations, properly seal all mounting and electrical points.
- 💡** Single fixture images are shown with Via 4 Seal and applies to Via 2 Seal & Via 3 Seal.

SINGLE FIXTURE

1 PREPARE THE CEILING.

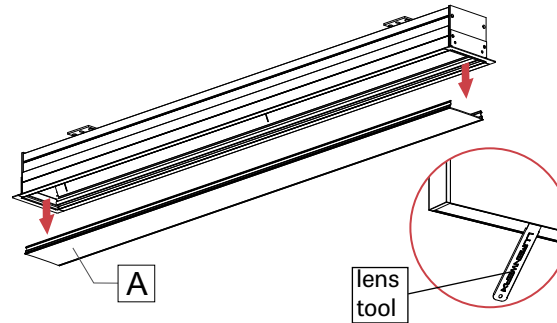
Caution: Make sure the electrical power is turned off.

Prepare the area and mark the mounting point location where the fixture is going to be installed according to the dimensions [*] in the client drawings.



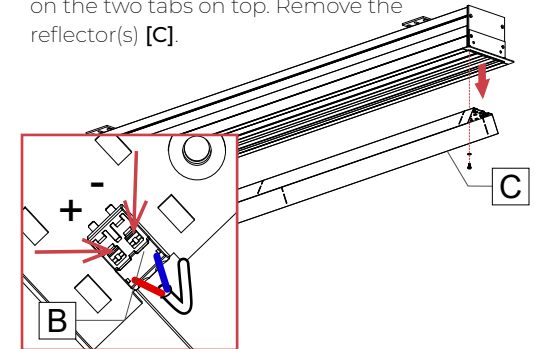
2 REMOVE LENS(ES).

Remove the lens [A] using the provided lens tool.



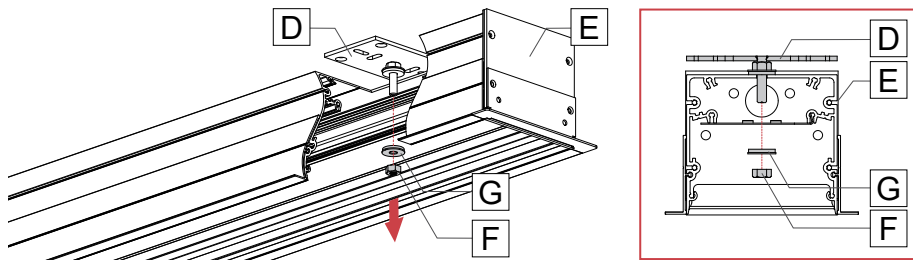
3 REMOVE REFLECTOR(S).

Disconnect LED moxex connector [B] by taking a pointed object and pressing on the two tabs on top. Remove the reflector(s) [C].



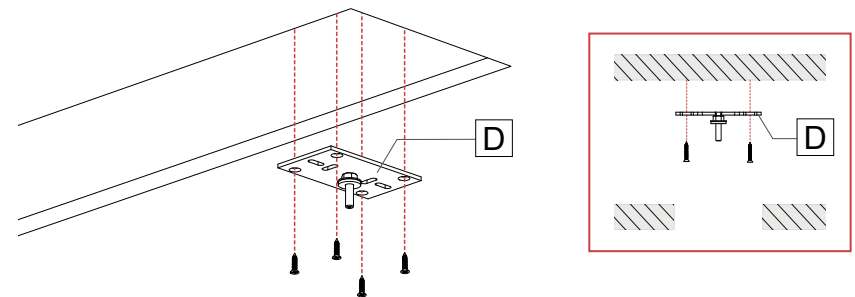
4 REMOVE MOUNTING BRACKETS FROM THE FIXTURE.

Remove the mounting brackets [D] from the fixture [E] by removing nuts [F] and washers [G] (that are steel + rubber bonded together) on the mounting bracket [D] inside the fixture [E].



5 INSTALL MOUNTING BRACKETS ON THE CEILING.

Install the mounting brackets [D] according to the mounting points dimension in the client drawing.



Via 2 - 3 - 4 Seal

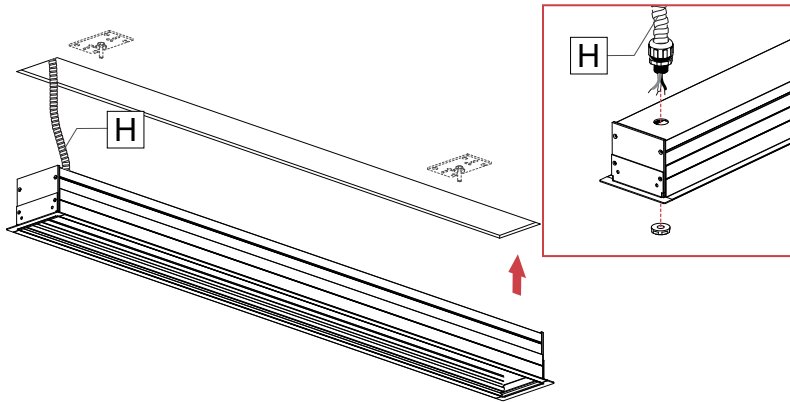
Recessed - Drywall Trim/Trimless



6 CONNECT THE FIXTURE TO THE MAIN POWER.

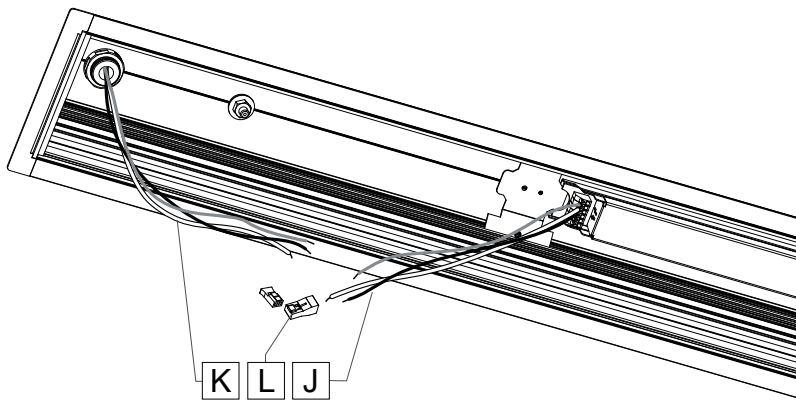
Connect the 1/2" trade size liquid-tight conduit fitting [H] (by others) to the 7/8" hole provided. Make sure the fitting is well tightened. A non-metallic liquid-tight flexible conduit system needs to be used (by others).

Warning: A luminaire with more than one power supply connection means shall be connected to only one branch circuit.



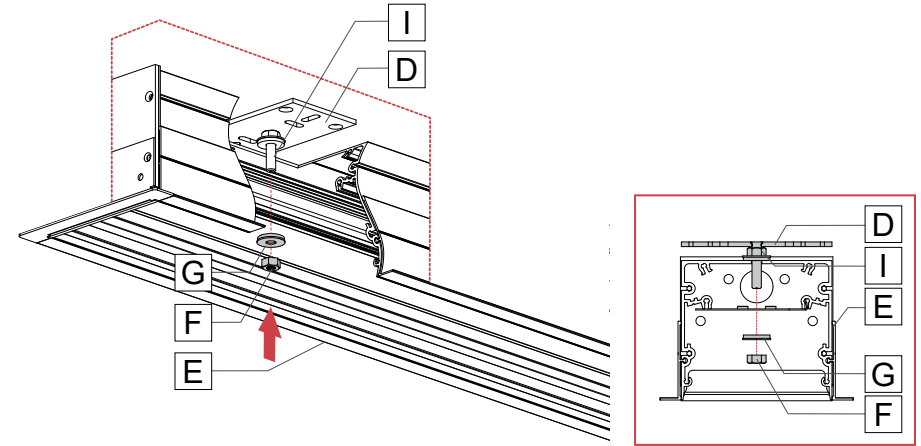
8 CONNECT THE DRIVER TO MAIN POWER.

Make the electrical connections between the fixture wires [J] and the building wires [K] inside the fixture by using quick connectors [L].



7 INSTALL THE FIXTURE ON THE MOUNTING BRACKETS.

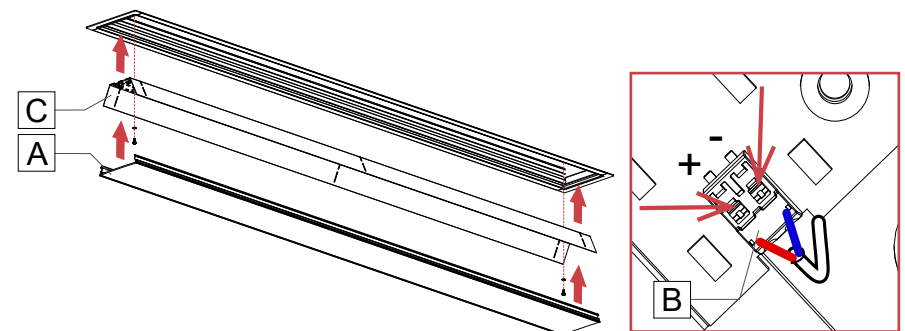
Insert the fixture [E] onto the mounting brackets [D]. If the fixture position needs adjustments, use adjusting nuts [I] on the mounting brackets [D]. Put back in place the washers [G] (that are steel + rubber bonded together) and the nuts [F] to attach the fixture.



9 REINSTALL REFLECTOR(S) AND LENS(ES).

Reinstall the reflector(s) [C] and reconnect the LED molex connector [B]. Snap the lens(es) [A] back in place.

Note: Connect blue wire into the [-] negative terminal and the red wire into the [+] positive terminal.



Via 2 - 3 - 4 Seal

Recessed - Drywall Trim/Trimless



CONTINUOUS RUN

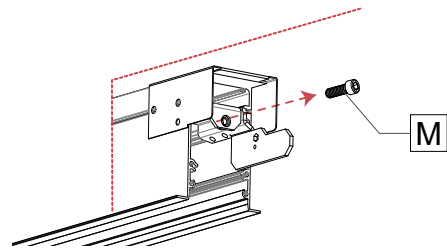
1 FOR THE FIRST FIXTURE IN THE RUN, REPEAT STEPS **1 - 8** FROM THE SINGLE FIXTURE SECTION.

2 FOR THE SECOND FIXTURE IN THE RUN, REPEAT STEPS **2 - 5** FROM THE SINGLE FIXTURE SECTION, THEN:

3 JOIN FIXTURES. IP65EC / IP44

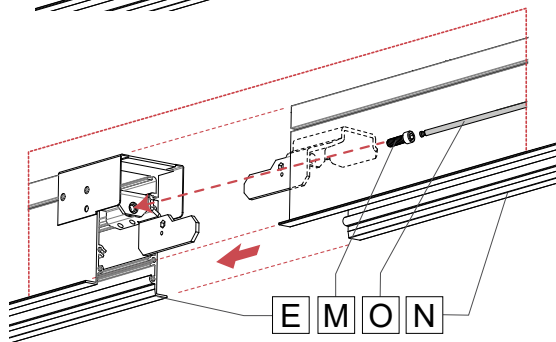
Via 2 Seal

1- Remove the screw [M] from the joiner.

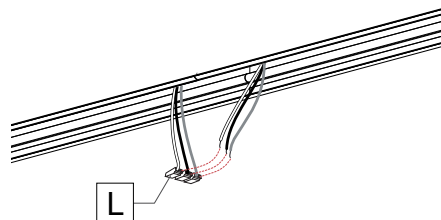


2- Align the second fixture [N] to the first fixture [E]. Attach the second fixture [N] to the ceiling shown in step 7.

Join the fixtures together. Put the joiner screw [M] back and tighten using a 3/16" ball-end screwdriver [O] to pull the extrusions together.



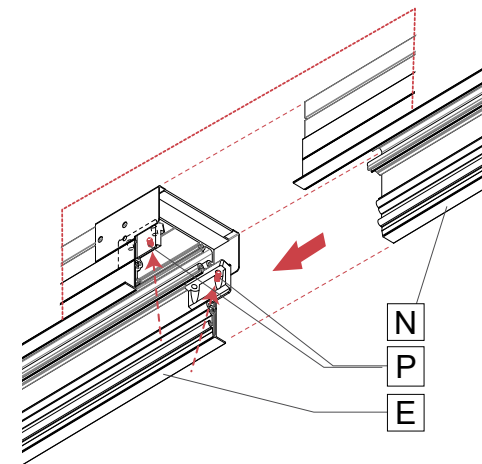
3- Connect wires between joining fixtures using quick connectors [L]. Number of wires may vary.



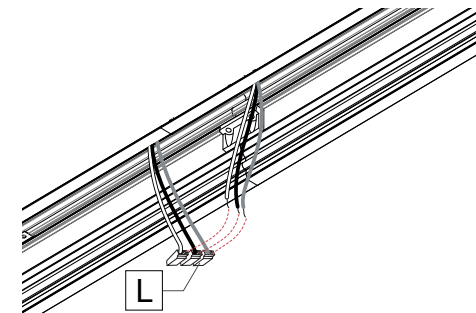
Via 3 Seal & Via 4 Seal

1- Align the second fixture [N] to the first fixture [E]. Attach the second fixture [N] to the ceiling shown in step 7. Join the fixtures together and secure them by tightening the set screws [P].

Note: visuals may differ.



2- Connect wires between joining fixtures using quick connectors [L]. Number of wires may vary.



Via 2 - 3 - 4 Seal

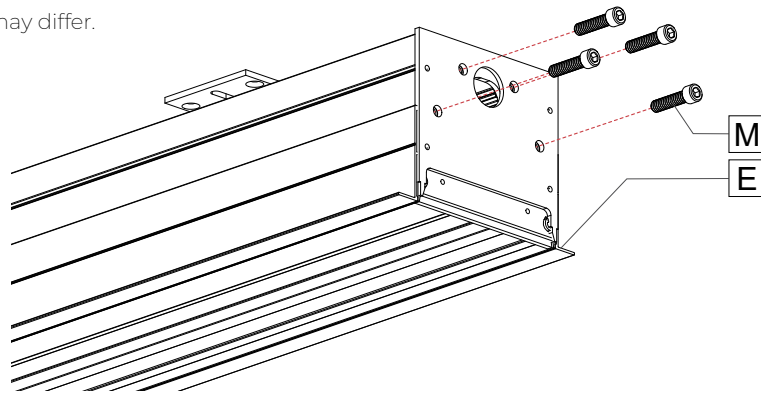
Recessed - Drywall Trim/Trimless

IP66 / IP64 / IP54

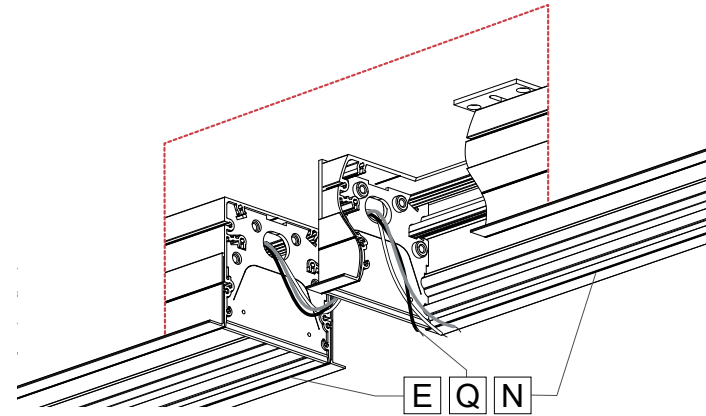
1- From the first fixture in the run [E], unscrew and remove screws [M]. Keep them in a safe place.

Note: Number of screws may vary.

Note: visuals may differ.

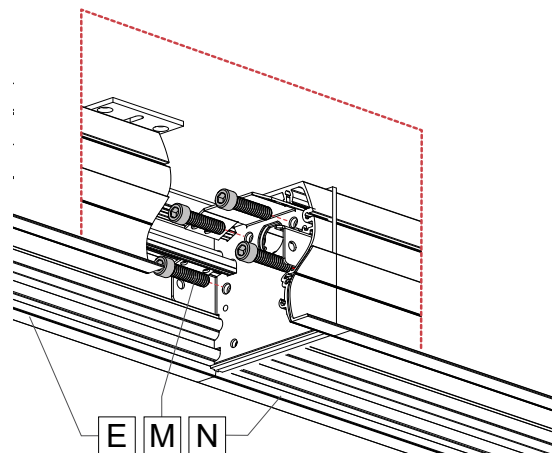


2- Raise the next fixture [N] and insert it in opening next to the previously mounted fixture [E]. Push wires [Q] of first fixture [E] into the next fixture [N].

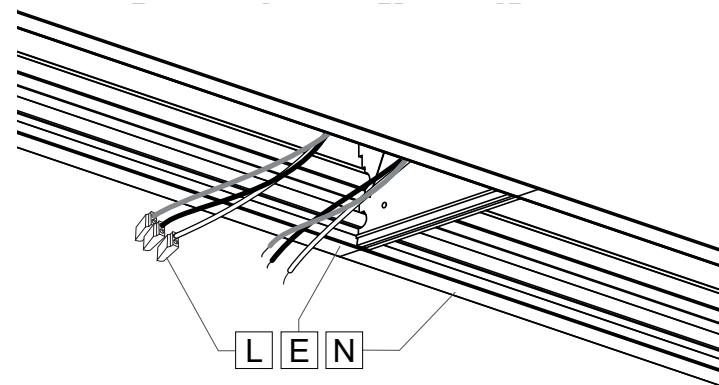


3- Align the second fixture [N] to the first fixture [E]. Attach the second fixture [N] to the ceiling shown in step 7. Reinstall the screws [M] from the inside of the second fixture [N]. Tighten the joining screws and make sure the joining gasket is well compressed between the two extrusions.

Note: Number of screws may vary.



4- Make the wire connections between fixture [E] and [N] using quick connectors [L].



4 REINSTALL REFLECTORS AND LENSES AS SHOWN IN STEP **9** OF THE SINGLE FIXTURE SECTION.

5 REPEAT CONTINUOUS RUN STEPS FOR THE REST OF THE FIXTURES IN THE RUN.