




INSTALLATION INSTRUCTIONS

 This product must be installed in accordance with the National Electrical Code and all applicable local codes, by a person familiar with the construction and operation of the product, and the hazards involved. Proper grounding is required for safety.

Ce produit doit être installé suivant le code national de l'électricité, ainsi que tous les codes locaux applicables, par une personne familière avec la construction et le fonctionnement du produit, ainsi que tous les risques qui y sont associés. La mise à terre électrique est obligatoire pour la sécurité.

 Disconnect power before installation or servicing.

 Do not cover the light element lens or heatsink with any materials or adhesive tapes when the fixture is powered.

 Handle the LED cartridge carefully during removal and installation. Tools must not touch the LED chips. Contact may result in damage and LED failure.

 Wire dimming conductors as Class 1.

 A luminaire with more than one power supply connection means shall be connected to only one branch circuit.


 For luminaires specified as recessed, clearance between the sides of the luminaire and parts of the building must be 1/2" minimum; clearance to insulating materials to be 3" minimum, unless luminaire is IC rated.

 Warranty claims will not be accepted if incorrect driver or light element is used.




Via 2 - 3 - 4 Seal

Recessed - Grid



 This product must be installed in accordance with the National Electrical Code and all applicable local codes, by a person familiar with the construction and operation of the product, and the hazards involved. Proper grounding is required for safety.

Ce produit doit être installé suivant le code national de l'électricité, ainsi que tous les codes locaux applicables, par une personne familière avec la construction et le fonctionnement du produit, ainsi que tous les risques qui y sont associés. La mise à terre électrique est obligatoire pour la sécurité.

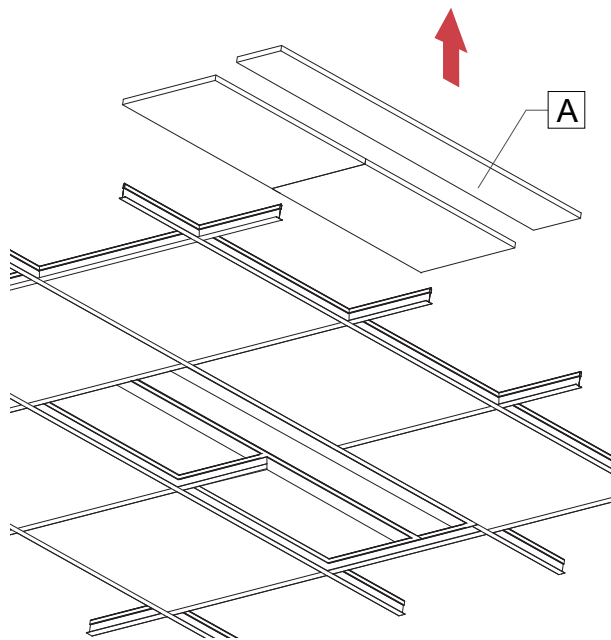
-  Wire dimming conductors as Class 1.
-  For wet location installations, properly seal all mounting and electrical points.
-  Single fixture images are shown with Via 4 Seal and applies to Via 2 Seal & Via 3 Seal.

SINGLE FIXTURE

1 PREPARE THE CEILING.

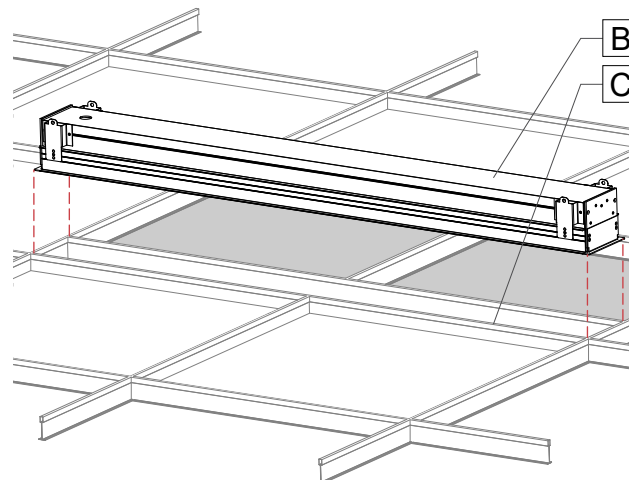
Caution: Make sure the electrical power is turned off.

Remove ceiling tiles **[A]** where the fixture will be installed as well as the adjacent tiles for easy access during installation.



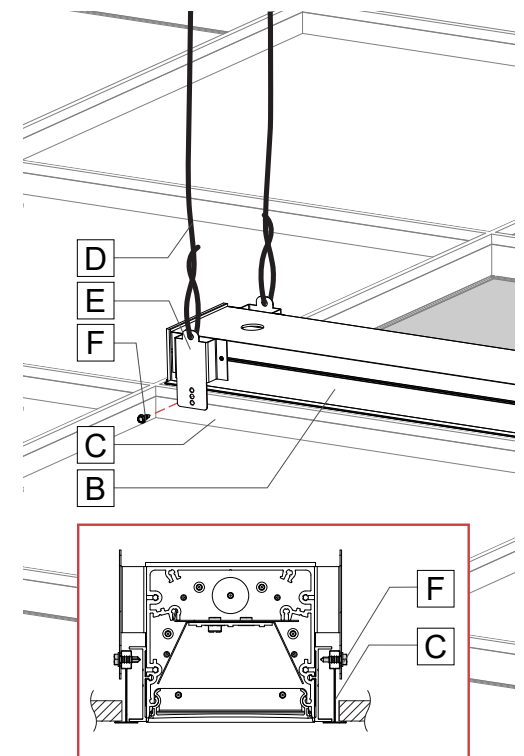
2 POSITION THE FIXTURE.

Raise the fixture **[B]** above the ceiling and lower it onto the T-bars **[C]**.



3 SECURE THE FIXTURE.

Secure the fixture **[B]** from structure above using wires **[D]** (by others) attached to the T-bar brackets **[E]**. Secure the T-bar brackets to the T-bars **[C]** with screws **[F]** (by others).



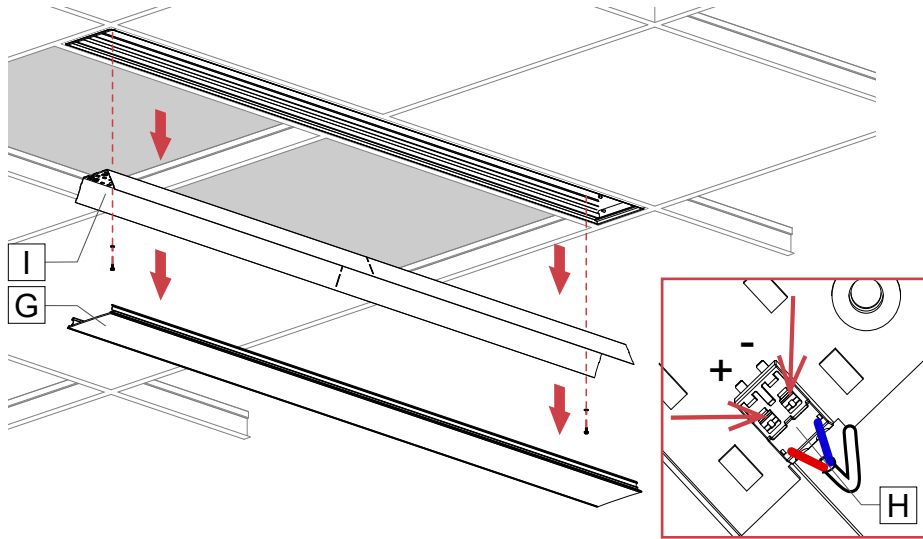
Via 2 - 3 - 4 Seal

Recessed - Grid



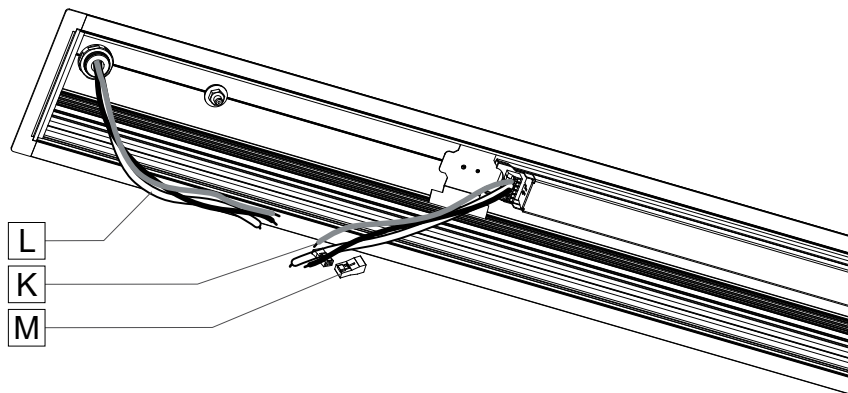
4 REMOVE LENS(S) AND REFLECTOR(S).

Remove the lens(es) [G]. Disconnect LED moxex connector [H] by taking a pointed object and pressing on the two tabs on top. Remove the reflector(s) [I].



6 CONNECT THE DRIVER TO MAIN POWER.

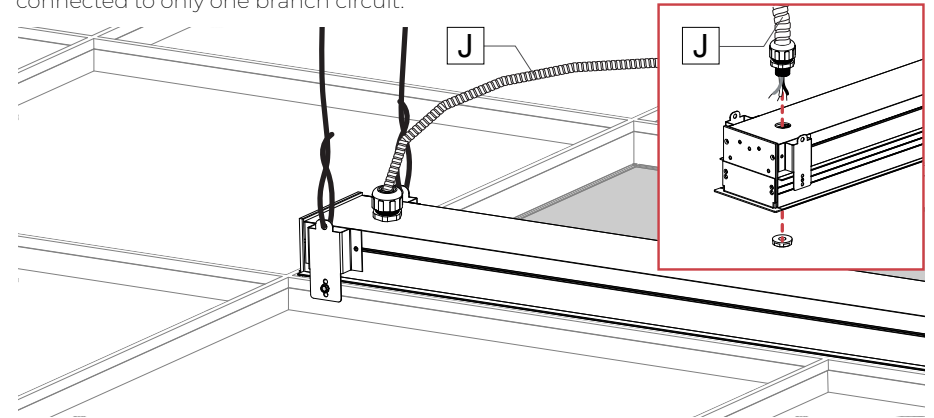
Make the electrical connections between the fixture wires [K] and the building wires [L] inside the fixture using quick connector [M].



5 CONNECT THE FIXTURE TO THE MAIN POWER.

Connect the 1/2" trade size liquid-tight conduit fitting [J] (by others) to the 7/8" hole provided. Make sure the fitting is well tightened. A non-metallic liquid-tight flexible conduit system needs to be used (by others).

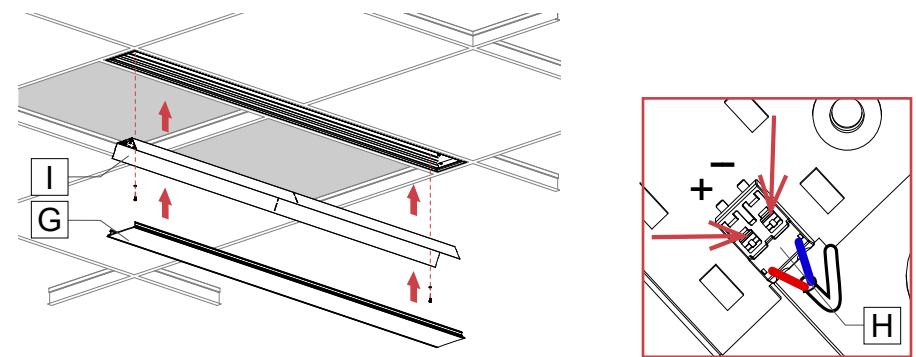
Warning: A luminaire with more than one power supply connection means shall be connected to only one branch circuit.



7 REINSTALL REFLECTOR(S) AND LENS(ES).

Reinstall the reflector(s) [I] and reconnect the LED moxex connector [H]. Snap the lens(es) [G] back in place.

Note: Connect blue wire into the [-] negative terminal and the red wire into the [+] positive terminal.



Via 2 - 3 - 4 Seal

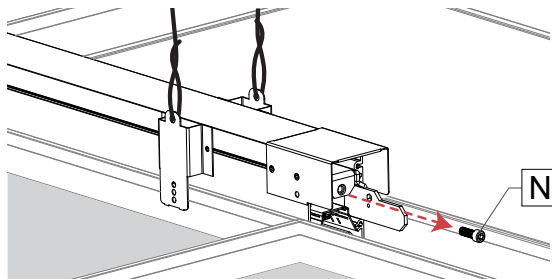
Recessed - Grid

CONTINUOUS RUN

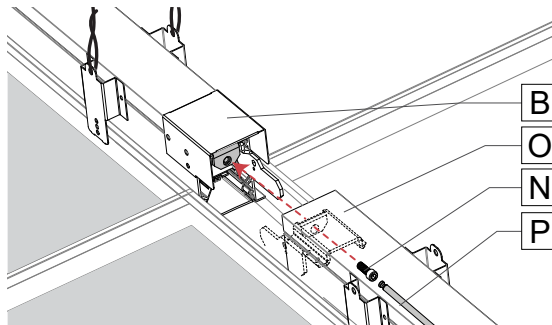
- 1** FOR THE FIRST FIXTURE IN THE RUN, REPEAT STEPS **1 - 7** FROM THE SINGLE FIXTURE SECTION.
- 2** FOR THE SECOND FIXTURE IN THE RUN, REMOVE LENS(ES) AND REFLECTOR(S) AS SHOWN IN STEP **4** OF SINGLE FIXTURE SECTION.
- 3** JOIN FIXTURES. IP65EC / IP44

Via 2 Seal

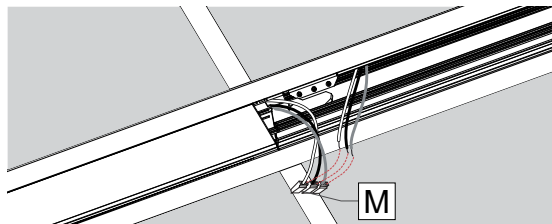
1- Remove the screw [N] from the joiner.



2- Drop the second fixture [O] in the T-bar. Align the second fixture [O] to the first fixture [B]. Join the fixtures together. Put the joiner screw [N] back and tighten using a 3/16" ball-end screwdriver [P] to pull the extrusions together.

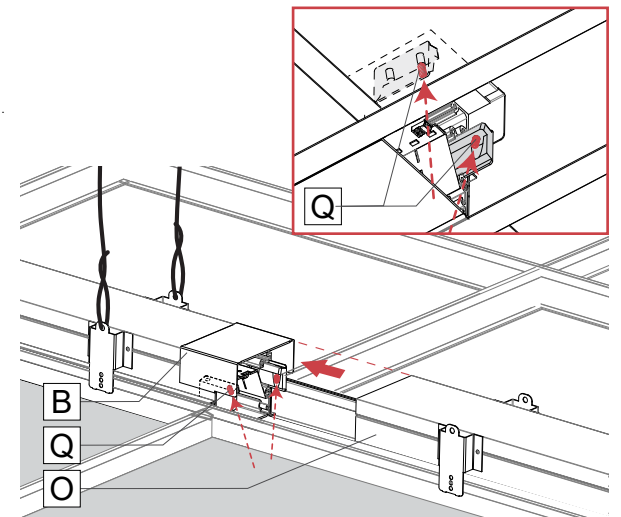


3- Connect wires between joining fixtures using quick connectors [M]. Number of wires may vary.

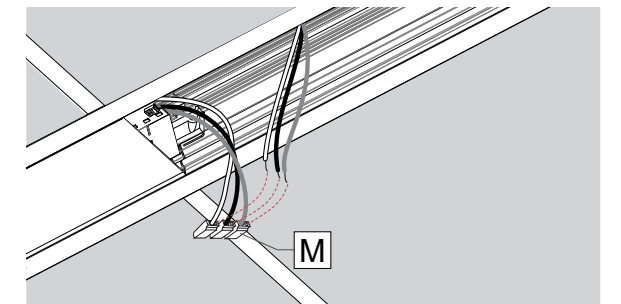


Via 3 Seal & Via 4 Seal

1- Drop the second fixture [O] in the T-bar. Align the second fixture [O] to the first fixture [B]. Join the fixtures together and secure them by tightening the set screws [Q].



2- Connect wires between joining fixtures using quick connectors [M]. Number of wires may vary.



Via 2 - 3 - 4 Seal

Recessed - Grid

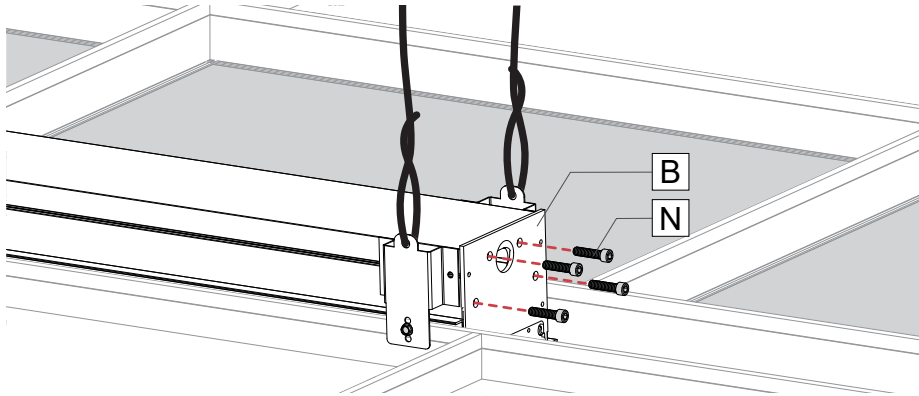


IP66 / IP64 / IP54

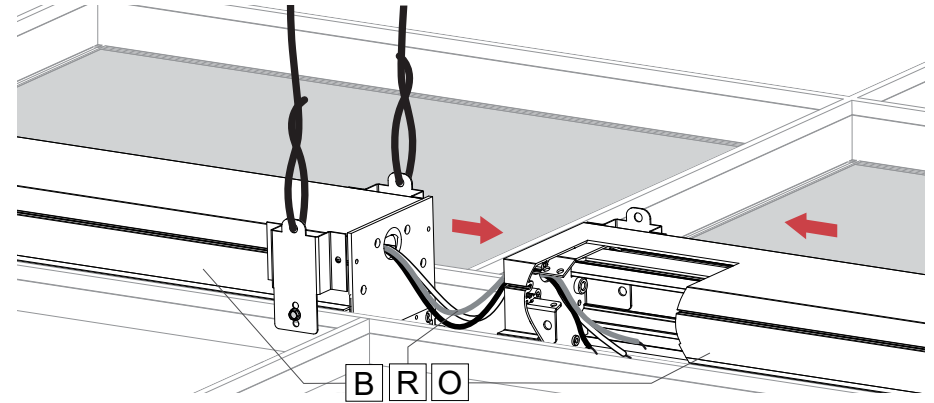
1- From the first fixture in the run [B], unscrew and remove screws [N]. Keep them in a safe place.

Note: Number of screws may vary.

Note: Visuals may differ.

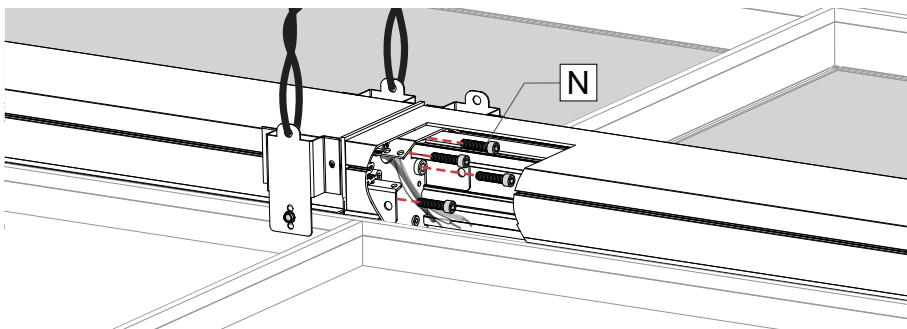


2- Drop the second fixture [O] in the T-bar. Push wires [R] inside the second fixture [O] through the wire holes in the joiners. Push the second fixture [O] against the first fixture [B].

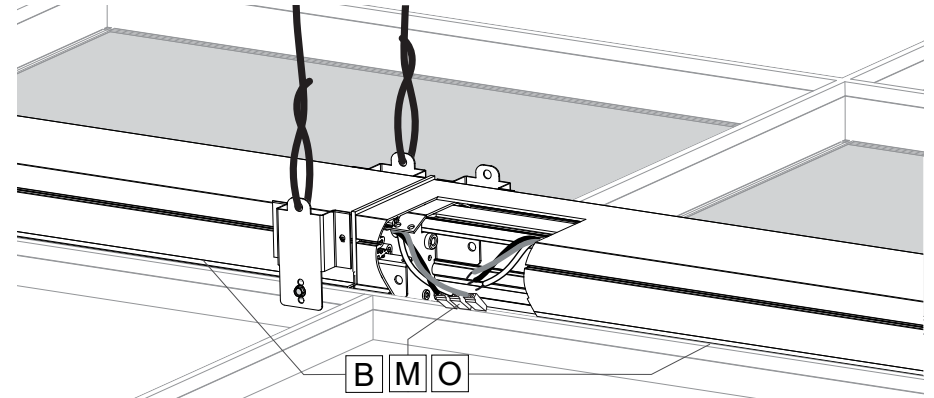


3- Reinstall the joining screws [N]. Tighten them well and make sure the joining gasket is well compressed between the two extrusions.

Note: Number of screws may vary.



4- Make the wire connections between [B] and [O] inside the second fixture by using quick connectors [M].



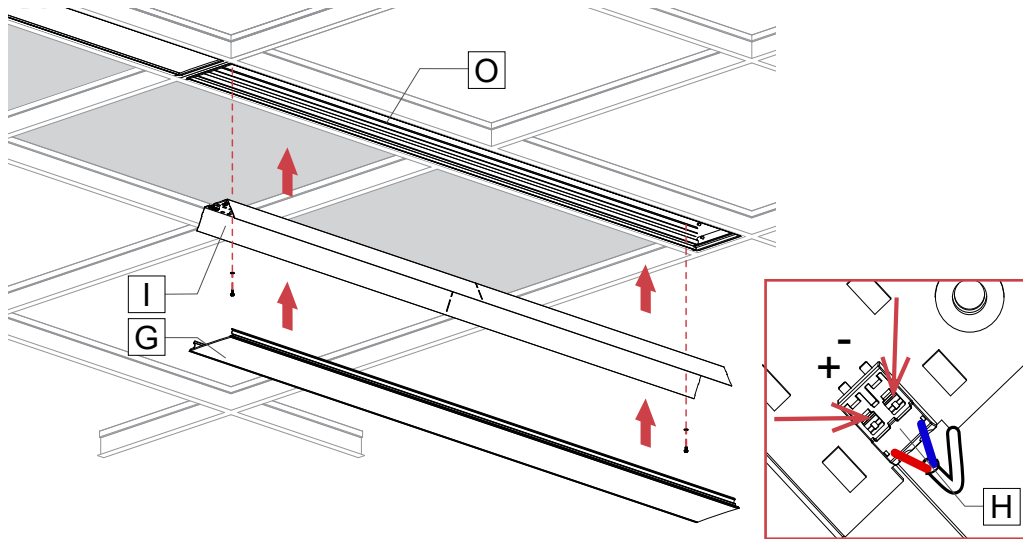
Via 2 - 3 - 4 Seal

Recessed - Grid

4 REINSTALL REFLECTOR AND LENS.

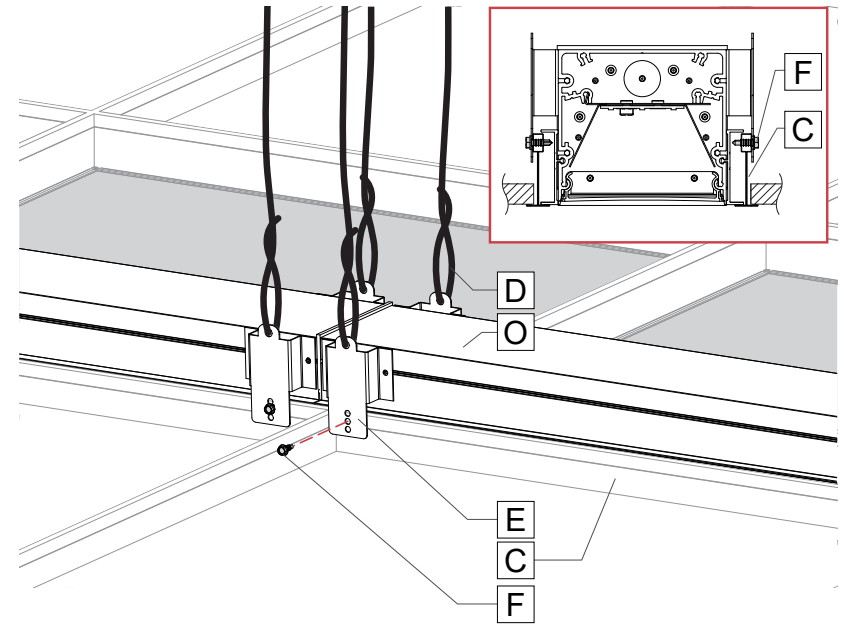
On the second fixture [O] reinstall the reflector(s) [I] and reconnect the LED molex connector [H]. Snap the lens(es) [G] back in place.

Note: Connect blue wire into the [-] negative terminal and the red wire into the [+] positive terminal.



5 SECURE 2ND FIXTURE.

Secure the second fixture [O] from the structure above using wires [D] (by others) attached to the T-bar brackets [E]. Secure the T-bar brackets [E] to the T-bars [C] with screws [F] (by others).



6 REPEAT CONTINUOUS RUN STEPS FOR THE REST OF THE FIXTURES IN THE RUN.