




INSTALLATION INSTRUCTIONS

 This product must be installed in accordance with the National Electrical Code and all applicable local codes, by a person familiar with the construction and operation of the product, and the hazards involved. Proper grounding is required for safety.

Ce produit doit être installé suivant le code national de l'électricité, ainsi que tous les codes locaux applicables, par une personne familière avec la construction et le fonctionnement du produit, ainsi que tous les risques qui y sont associés. La mise à terre électrique est obligatoire pour la sécurité.

 Disconnect power before installation or servicing.

 Do not cover the light element lens or heatsink with any materials or adhesive tapes when the fixture is powered.

 Handle the LED cartridge carefully during removal and installation. Tools must not touch the LED chips. Contact may result in damage and LED failure.

 Wire dimming conductors as Class 1.

 A luminaire with more than one power supply connection means shall be connected to only one branch circuit.

 For luminaires specified as recessed, clearance between the sides of the luminaire and parts of the building must be 1/2" minimum; clearance to insulating materials to be 3" minimum, unless luminaire is IC rated.

 Warranty claims will not be accepted if incorrect driver or light element is used.

Via 2 - 3 - 4 Seal Surface



! This product must be installed in accordance with the National Electrical Code and all applicable local codes, by a person familiar with the construction and operation of the product, and the hazards involved. Proper grounding is required for safety.

Ce produit doit être installé suivant le code national de l'électricité, ainsi que tous les codes locaux applicables, par une personne familière avec la construction et le fonctionnement du produit, ainsi que tous les risques qui y sont associés. La mise à terre électrique est obligatoire pour la sécurité.

- !** Wire dimming conductors as Class 1.
- !** For wet location installations, properly seal all mounting and electrical points.
- 💡** Shown with Via 4 Seal and applies to Via 2 Seal & Via 3 Seal.

SINGLE FIXTURE

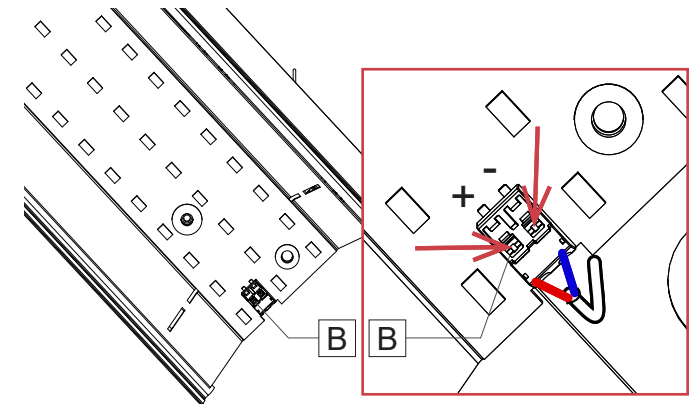
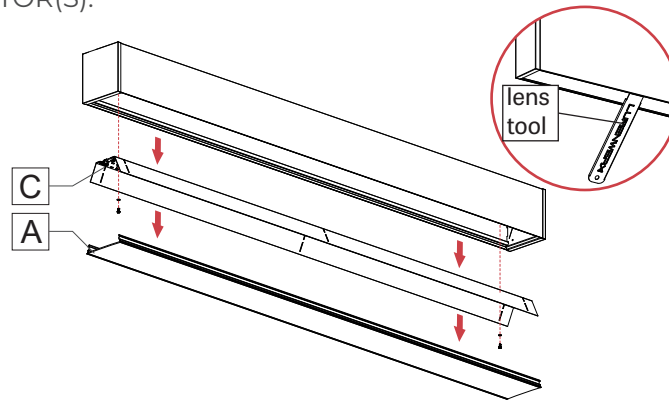
1 REMOVE LENS(ES) AND REFLECTOR(S).

Caution: Make sure the electrical power is turned off.

Remove lens(es) [A] with the provided lens tool.

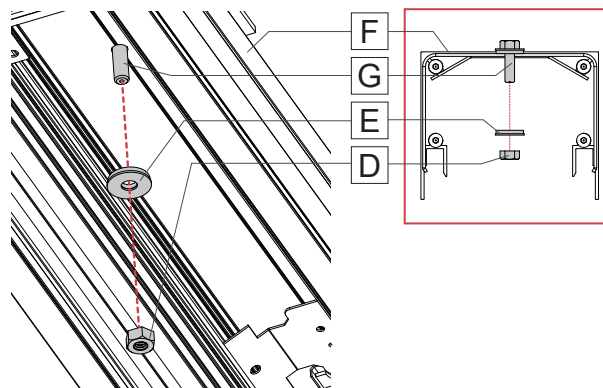
Disconnect LED mox connector [B] by taking a pointed object and pressing on the two tabs on top.

Remove the reflector(s) [C].



2 REMOVE TEMPORARY SCREWS.

Remove nuts [D] and washers [E] (that are steel + rubber bonded together) inside the fixture [F]. Put them in a safe place. Finally remove the screws [C] that won't be needed anymore.



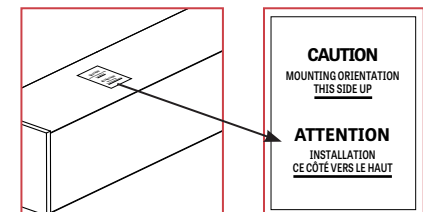
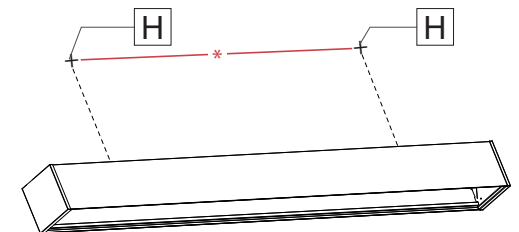
3 MARK MOUNTING POINTS.

Locate mounting points [H] in the ceiling. Refer to the dimensions [*] supplied in the client drawings.

Note 1: For TOP FEED fixture, the main power cable should come out from the ceiling.

Note 2: For END FEED fixture, locate the J-box in an appropriate location.

Note 3: Make sure the label is oriented upwards and the direct lens is facing down.



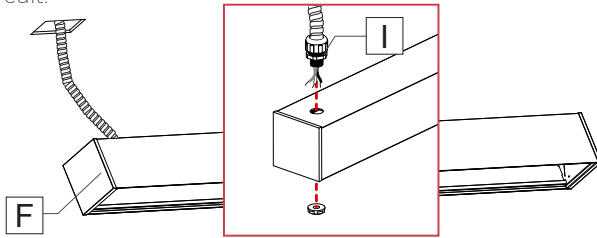
Via 2 - 3 - 4 Seal Surface

4 INSTALL THE FIXTURE TO THE CEILING.

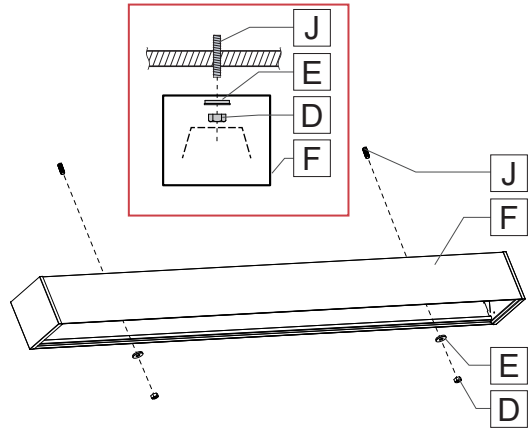
TOP FEED

If it is a TOP FEED fixture, before installing the fixture [F] connect the 1/2" trade size liquid-tight conduit fitting [I] (by others) to the 7/8" hole provided. Make sure the fitting is well tightened. A non-metallic liquid-tight flexible conduit system needs to be used (by others).

Warning: A luminaire with more than one power supply connection means shall be connected to only one branch circuit.



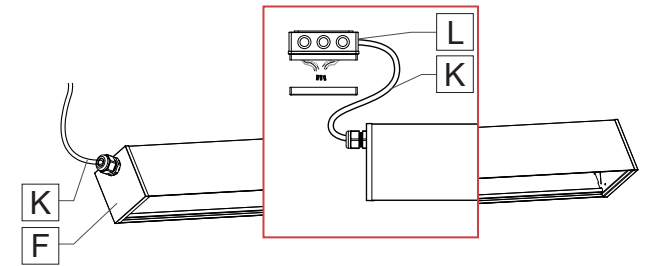
Fasten the fixture [F] to the threaded stud [J] using washers (that are steel + rubber bonded together) [E] and nuts [D]. Make sure the 1/4"-20 nuts are well tightened.



END FEED

If it is a END FEED fixture, after installing the fixture [F] make electrical connections between the main power and the 2FT long white power-cord [K] of the fixture inside wet location junction box [L]. Screw back junction box cover.

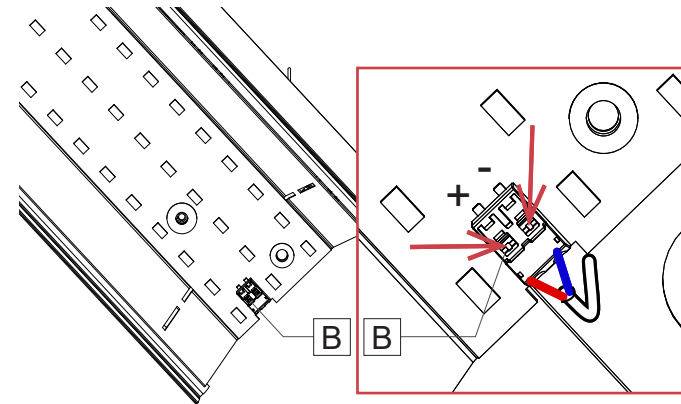
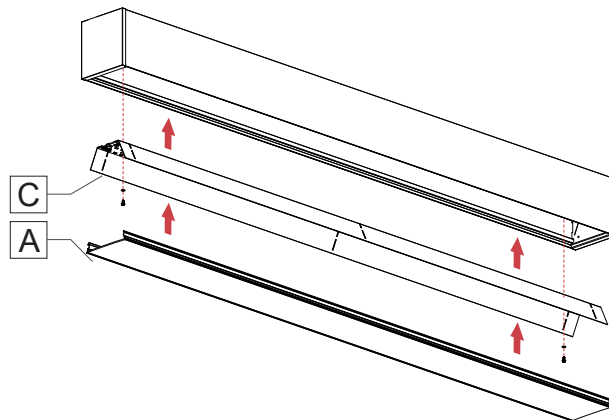
Warning: A luminaire with more than one power supply connection means shall be connected to only one branch circuit.



5 REINSTALL REFLECTOR(S) AND LENS(ES).

Reinstall the (reflectors) [C] and reconnect the LED mox connector [B]. Snap the lens(es) [A] back in place.

Note: Connect blue wire into the [-] negative terminal and the red wire into the [+] positive terminal.



Via 2 - 3 - 4 Seal

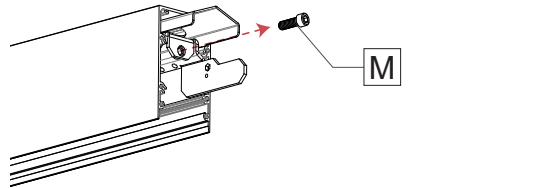
Surface

CONTINUOUS RUN

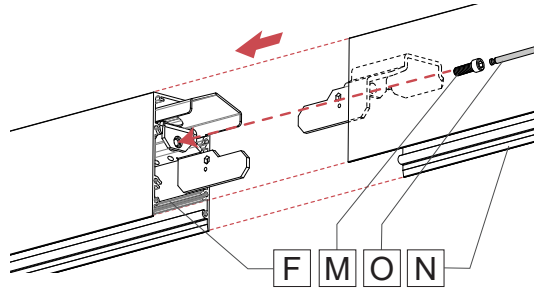
- 1 FOR CONTINUOUS RUN, REPEAT STEPS 1 - 4 FROM THE SINGLE FIXTURE SECTION FOR THE FIRST FIXTURE IN THE RUN.
- 2 REPEAT STEPS 1 - 3 FROM THE SINGLE FIXTURE SECTION FOR THE SECOND FIXTURE IN THE RUN.
- 3 JOIN FIXTURES. IP65EC / IP44

Via 2 Seal

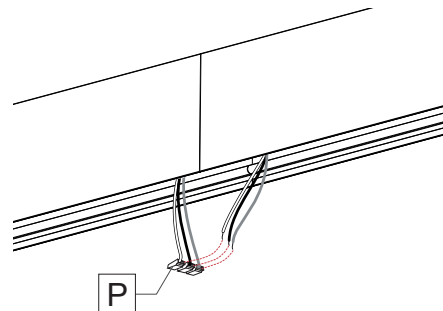
1- Remove the screw [M] from the joiner.



2- Align the second fixture [N] to the first fixture [F]. Attach the second fixture [N] to the ceiling shown in step 4 (no power feed on second fixture).
Join the fixtures together. Put the joiner screw [M] back and tighten using a 3/16" ball-end screwdriver [O] to pull the extrusions together.

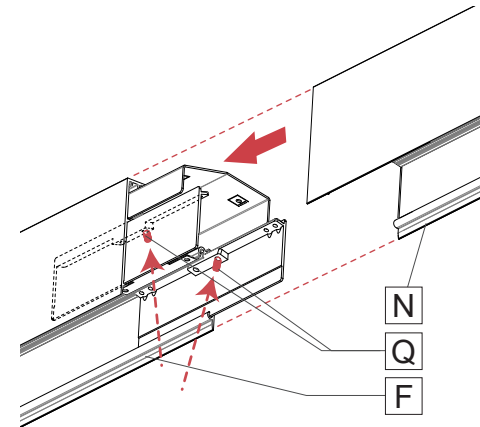


3- Connect wires between joining fixtures using quick connectors [P]. Number of wires may vary.



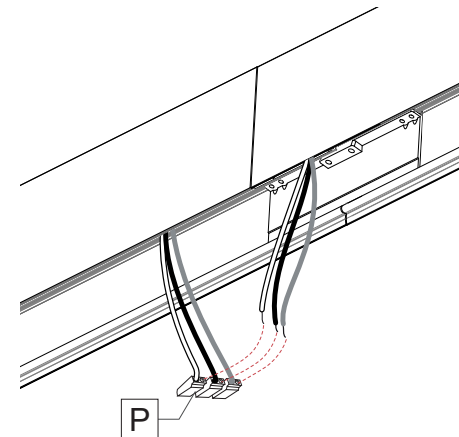
Via 3 Seal & Via 4 Seal

1- Align the second fixture [N] to the first fixture [F]. Attach the second fixture [N] to the ceiling shown in step 4 (no power feed on second fixture). Join the fixtures together and secure them by tightening the set screws [Q].



Note: Visuals may differ.

2- Connect wires between joining fixtures using quick connectors [P]. Number of wires may vary.



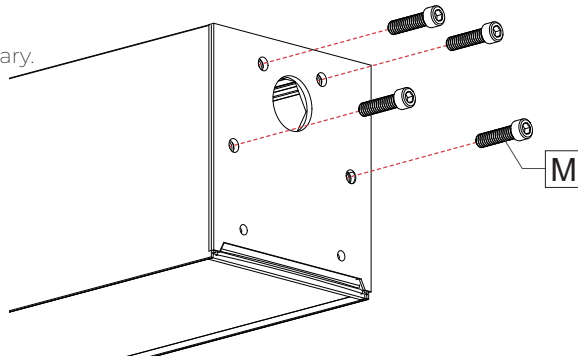
Via 2 - 3 - 4 Seal Surface

3 JOIN FIXTURES. IP66 / IP64 / IP54

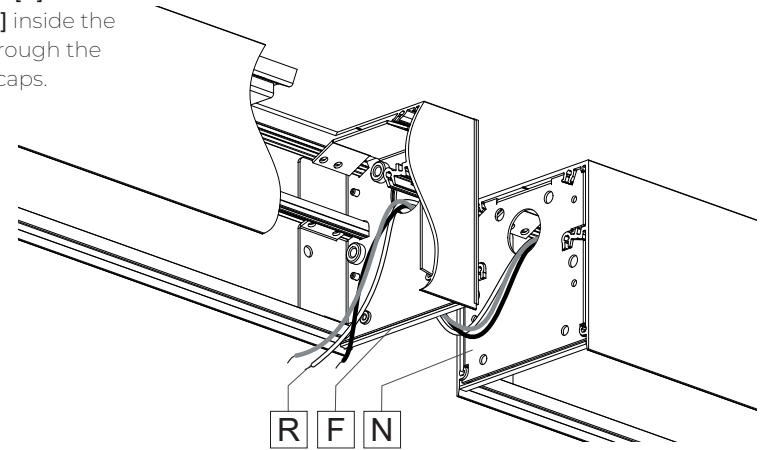
1- Unscrew and remove the screws [M] from the end cap of the joiner. Keep them in a safe place.

Note: Number of screws may vary.

Note: Visuals may differ.

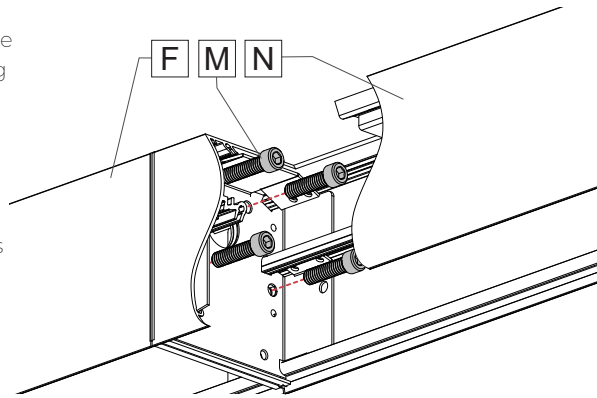


2- Push the wires [R] of the second fixture [N] inside the first fixture [F] through the holes of the end caps.

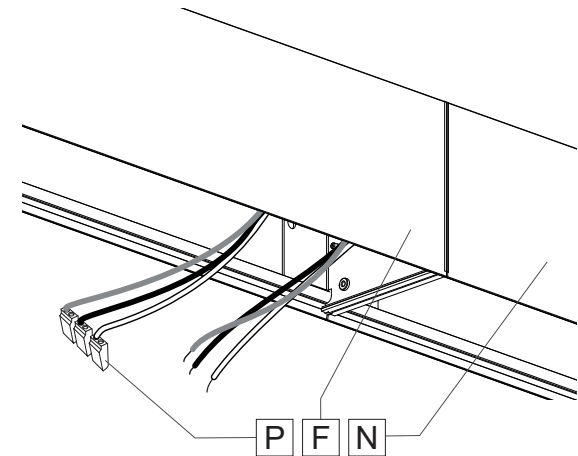


3- Align the second fixture [N] to the first fixture [F]. Attach the second fixture [N] to the ceiling shown in step 4. Reinstall the screws [M] from the inside of the second fixture [N] (no power feed on second fixture). Tighten the joining screws and make sure the joining gasket is well compressed between the two extrusions.

Note: Number of screws may vary.



4- Make the wire connections between fixtures [F] and [N] using quick connectors [P].



4 REINSTALL REFLECTORS AND LENSES AS SHOWN IN STEP 5 OF THE SINGLE FIXTURE SECTION.

5 REPEAT CONTINUOUS RUN STEPS FOR THE REST OF THE FIXTURES IN THE RUN.