










INSTALLATION INSTRUCTIONS

-  This product must be installed in accordance with the National Electrical Code and all applicable local codes, by a person familiar with the construction and operation of the product, and the hazards involved. Proper grounding is required for safety.




Ce produit doit être installé suivant le code national de l'électricité, ainsi que tous les codes locaux applicables, par une personne familière avec la construction et le fonctionnement du produit, ainsi que tous les risques qui y sont associés. La mise à terre électrique est obligatoire pour la sécurité.
-  Disconnect power before installation or servicing.
-  Do not cover the light element lens or heatsink with any materials or adhesive tapes when the fixture is powered.
-  Handle the LED cartridge carefully during removal and installation. Tools must not touch the LED chips. Contact may result in damage and LED failure.
-  Wire dimming conductors as Class 1.
-  A luminaire with more than one power supply connection means shall be connected to only one branch circuit.
-  For luminaires specified as recessed, clearance between the sides of the luminaire and parts of the building must be 1/2" minimum; clearance to insulating materials to be 3" minimum, unless luminaire is IC rated.
-  Warranty claims will not be accepted if incorrect driver or light element is used.

Via 2 - 3 - 4 Seal Wall



 This product must be installed in accordance with the National Electrical Code and all applicable local codes, by a person familiar with the construction and operation of the product, and the hazards involved. Proper grounding is required for safety.

Ce produit doit être installé suivant le code national de l'électricité, ainsi que tous les codes locaux applicables, par une personne familière avec la construction et le fonctionnement du produit, ainsi que tous les risques qui y sont associés. La mise à terre électrique est obligatoire pour la sécurité.

-  Wire dimming conductors as Class 1.
-  For wet location installations, properly seal all mounting and electrical points.
-  Shown with Via 4 Seal and applies to Via 2 Seal & Via 3 Seal.

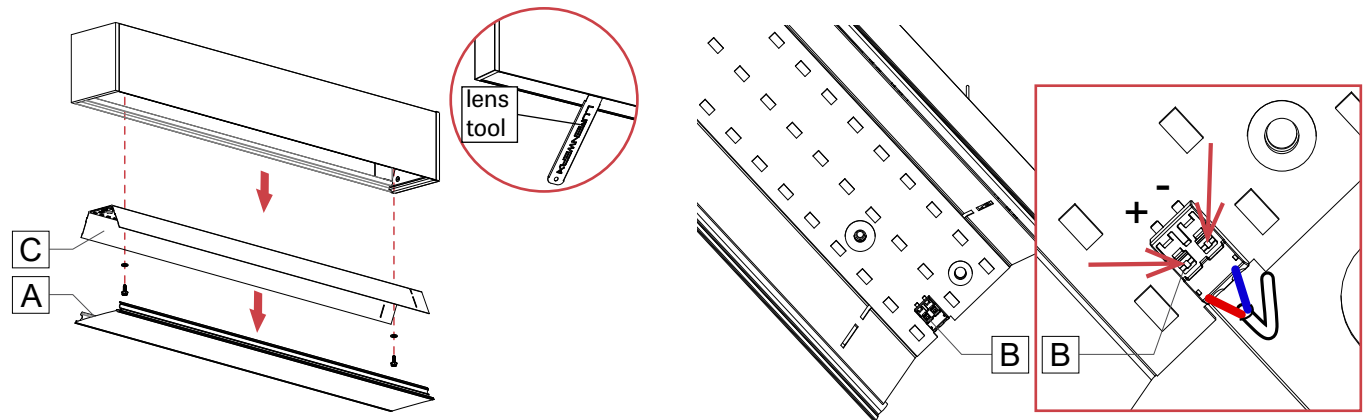
SINGLE FIXTURE

1 REMOVE DIRECT LENS(ES) AND REFLECTOR(S).

Remove lens(es) **[A]** with the provided lens tool.

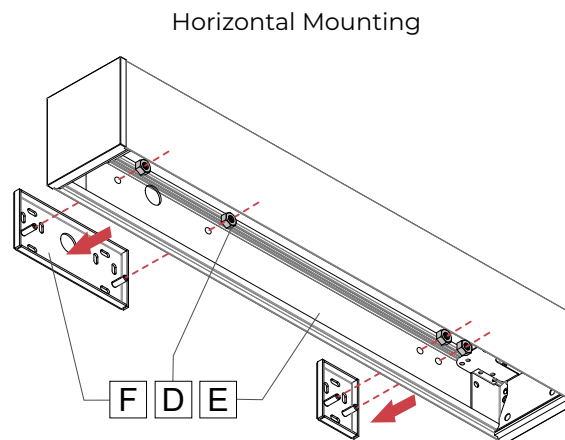
Disconnect LED moxex connector **[B]** by taking a pointed object and pressing on the two tabs on top.

Remove the reflector(s) **[C]**.

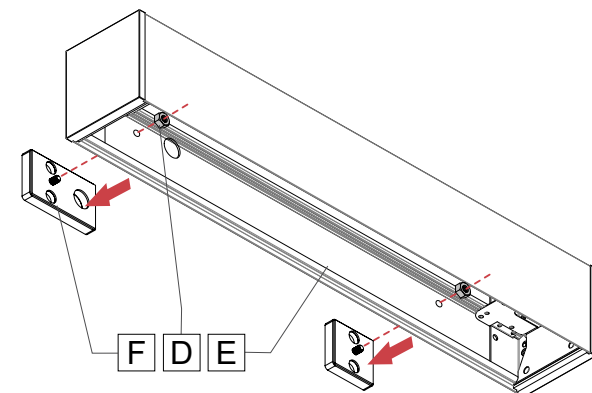


2 REMOVE WALL BRACKETS.

Unscrew the nuts **[D]** inside the fixture **[E]** and remove wall or mullion brackets **[F]**. Keep the nuts **[D]** in a safe place.



Mullion Mounting



Via 2 - 3 - 4 Seal Wall

3 INSTALL THE BRACKETS ON THE WALL.

Locate brackets [F] position using provided client drawing.

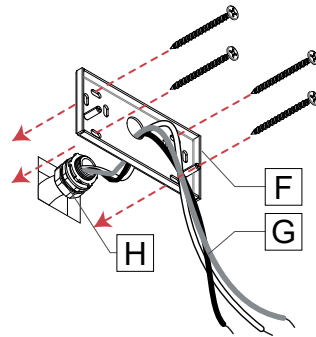
Back feed power side: Pass the main power wires [G] through the 7/8" bracket hole provided. Connect the 1/2" trade size liquid-tight conduit fitting [H] (by others) to the 7/8" hole. Make sure the fitting is well tightened. A non-metallic liquid-tight flexible conduit system needs to be used (by others).

Install brackets [F] on the wall or the mullion using screws (by others).

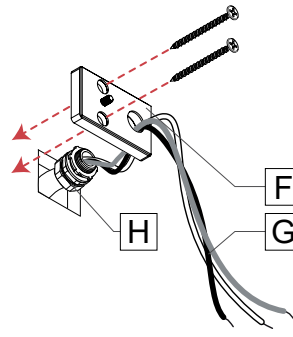
Note: All wiring should be installed with watertight conduits and fittings (by others).

BACK FEED - POWER SIDE

Horizontal Mounting

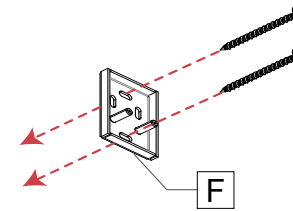


Mullion Mounting

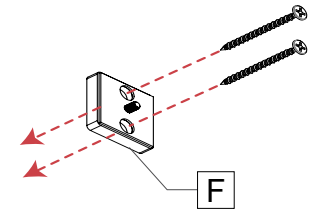


BACK FEED - NON-POWER SIDE END FEED

Horizontal Mounting



Mullion Mounting

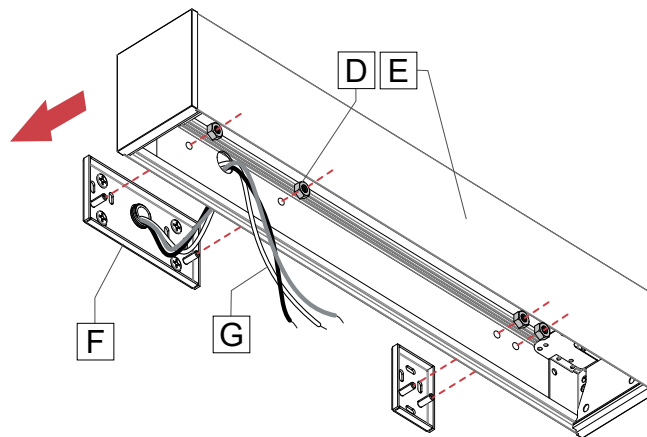


4 INSTALL THE FIXTURE.

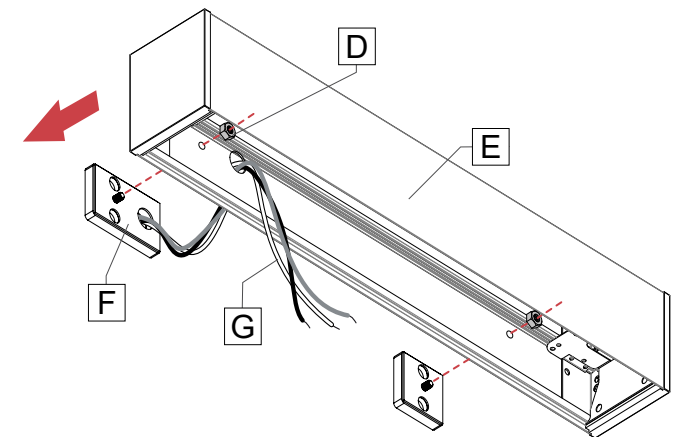
Back feed power side: Pass the main power wires [G] inside the fixture [E], through the fixture hole.

Install the fixture [E] on brackets [F] using nuts [D].

Horizontal Mounting



Mullion Mounting



Via 2 - 3 - 4 Seal Wall



5 MAKE THE ELECTRICAL CONNECTION.

Caution: Make sure the electrical power is turned off.

End feed: Make electrical connections between the main power and the 2FT long white power-cord [I] of the fixture inside wet location junction box [J] (by others). Screw back junction box cover.

Back feed: Make the electrical connection between the fixture wires [K] and main power wires [G] inside the fixture [E] using wire nuts [L].

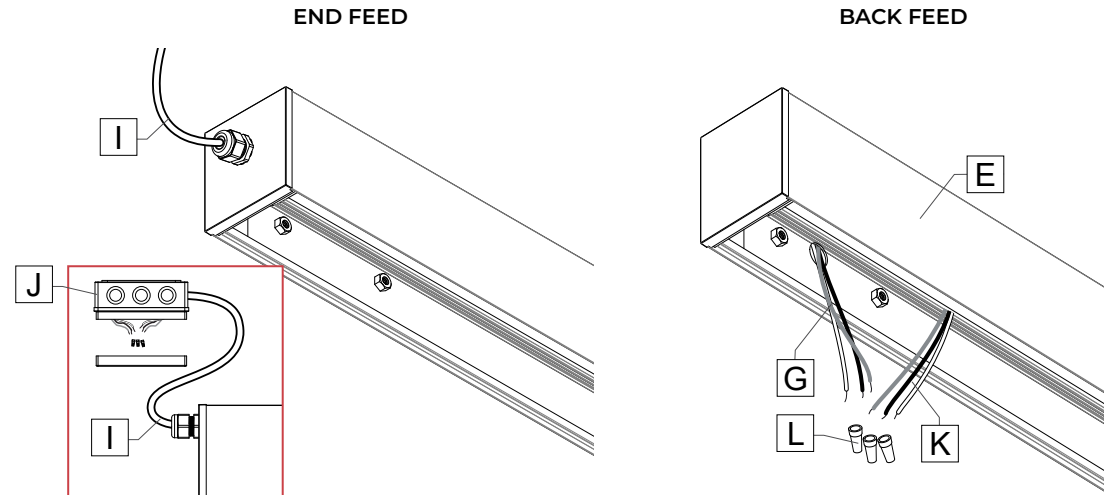
Note: All wiring should be installed with watertight conduits and fittings (by others).

Note: Number of wires may vary.

Warning: A luminaire with more than one power supply connection means shall be connected to only one branch circuit.



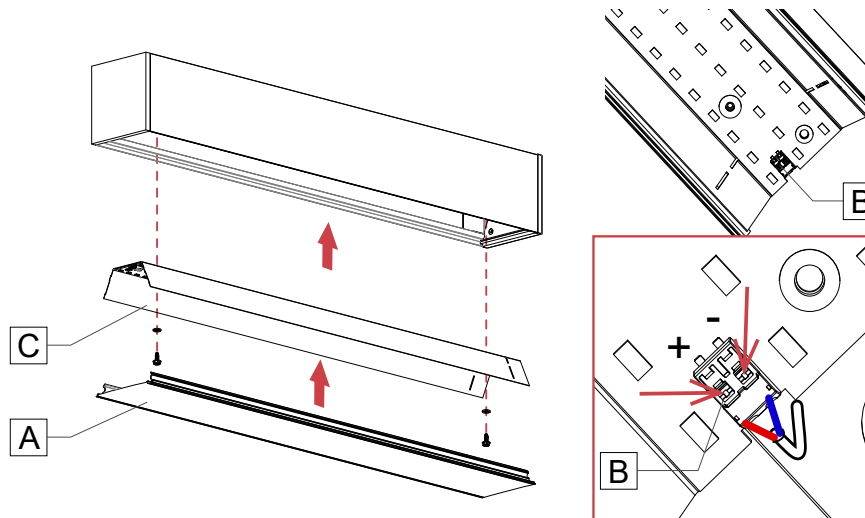
For electrical connections, please refer to the [wiring diagram guide](#).



6 REINSTALL REFLECTOR(S) AND LENS(ES).

Reinstall the reflector(s) [C] and reconnect the LED molex connector [B]. Snap the lens(es) [A] back in place.

Note: Connect blue wire into the [-] negative terminal and the red wire into the [+] positive terminal.



Via 2 - 3 - 4 Seal Wall

CONTINUOUS RUN

1 FOR CONTINUOUS RUN, REPEAT STEPS **1 - 5** FROM THE SINGLE FIXTURE SECTION FOR THE FIRST FIXTURE IN THE RUN.

2 REPEAT STEPS **1 - 3** FROM THE SINGLE FIXTURE SECTION FOR THE SECOND FIXTURE IN THE RUN.

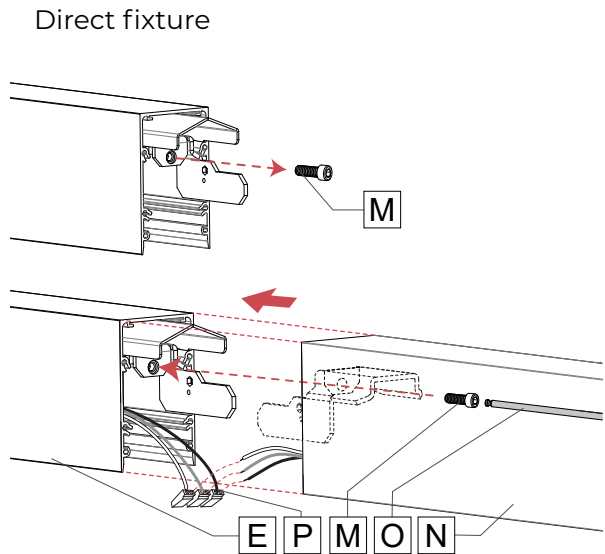
3 JOIN FIXTURES. IP65EC / IP44

Via 2 Seal

1- Remove the screw [M] from the joiner.

2- Align the second fixture [N] to the first fixture [E]. Attach the second fixture [N] to the wall shown in step 4. Join the fixtures together. Put the joiner screw [M] back and tighten using a 3/16" ball-end screwdriver [O] to pull the extrusions together.

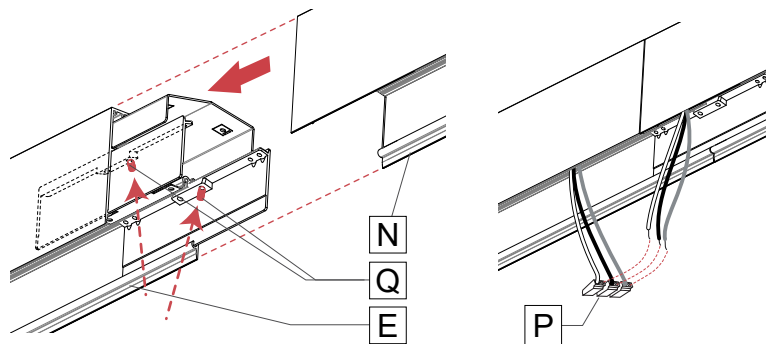
3- Connect wires between joining fixtures using quick connectors [P]. Number of wires may vary.



Via 3 Seal & Via 4 Seal

1- Align the second fixture [N] to the first fixture [E]. Attach the second fixture [N] to the wall shown in step 4. Join the fixtures together and secure them by tightening the set screws [Q].

2- Connect wires between joining fixtures using quick connectors [P]. Number of wires may vary.



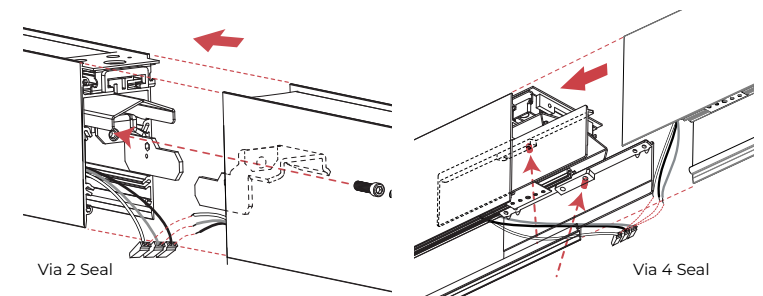
Direct / Indirect fixture

1- Unscrew the joiner cover [R].

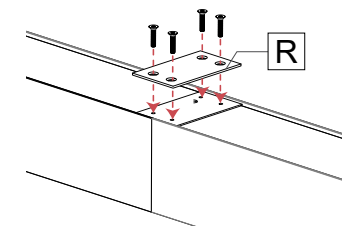
Note: Number of screws may vary.

Note: visuals may differ.

2- Join and connect fixtures according to Direct fixture section.



3- Screw back and tighten the joiner cover [R].



Via 2 - 3 - 4 Seal Wall

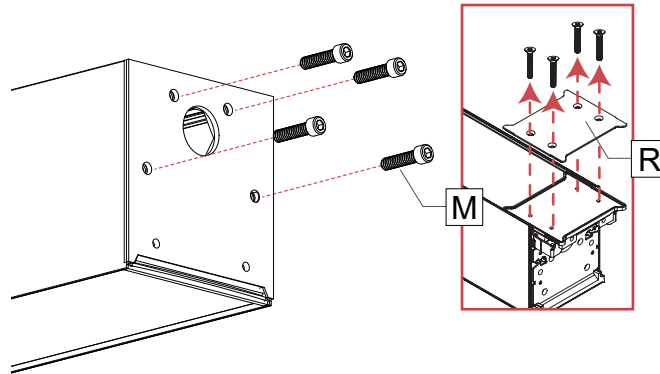
3 JOIN FIXTURES IP66 / IP65 / IP64 / IP54

1- Unscrew and remove the screws [M] from the joiner. Keep them in a safe place.

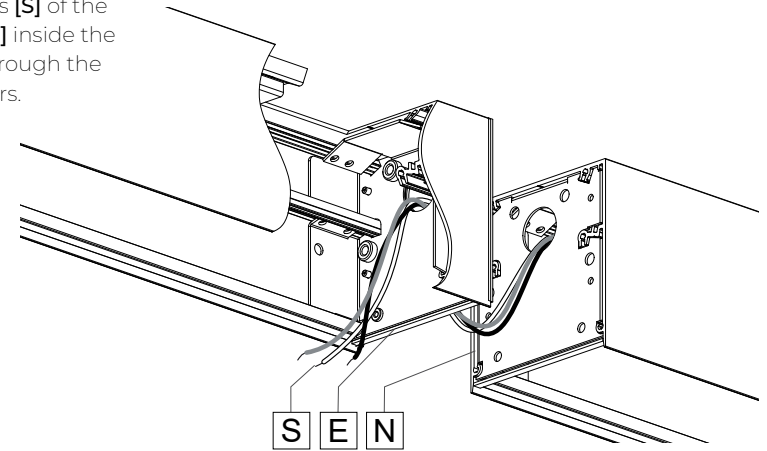
Note: Number of screws may vary.

Note: visuals may differ.

Note: For IP65 and IP64 Direct/Indirect, unscrew the joiner cover [R].

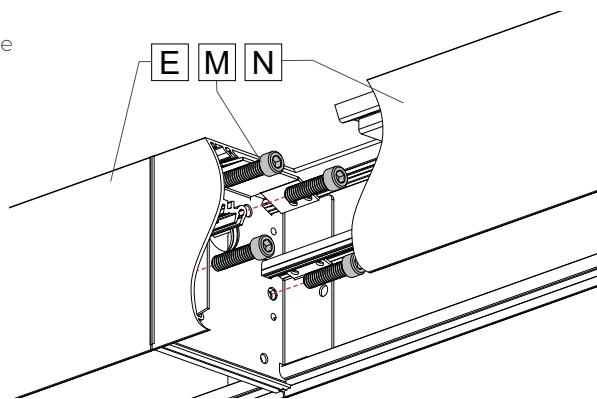


2- Push the wires [S] of the second fixture [N] inside the first fixture [E] through the holes of the joiners.



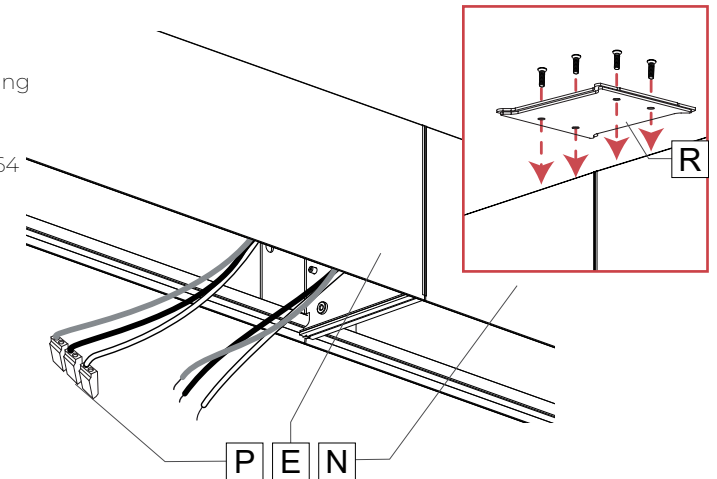
3- Align the second fixture [N] to the first fixture [E]. Attach the second fixture [N] to the wall shown in step 4. Reinstall the screws [M] from the inside of the second fixture [N]. Tighten the joining screws and make sure the joining gasket is well compressed between the two extrusions.

Note: Number of screws may vary.



4- Make the wire connections between fixtures [E] and [N] using quick connectors [P].

Note: For IP65 and IP64 Direct/Indirect, screw back and tighten the joiner cover [S].



4 REINSTALL REFLECTORS AND LENSES AS SHOWN IN STEP 6 OF THE SINGLE FIXTURE SECTION.

5 REPEAT CONTINUOUS RUN STEPS FOR THE REST OF THE FIXTURES IN THE RUN.