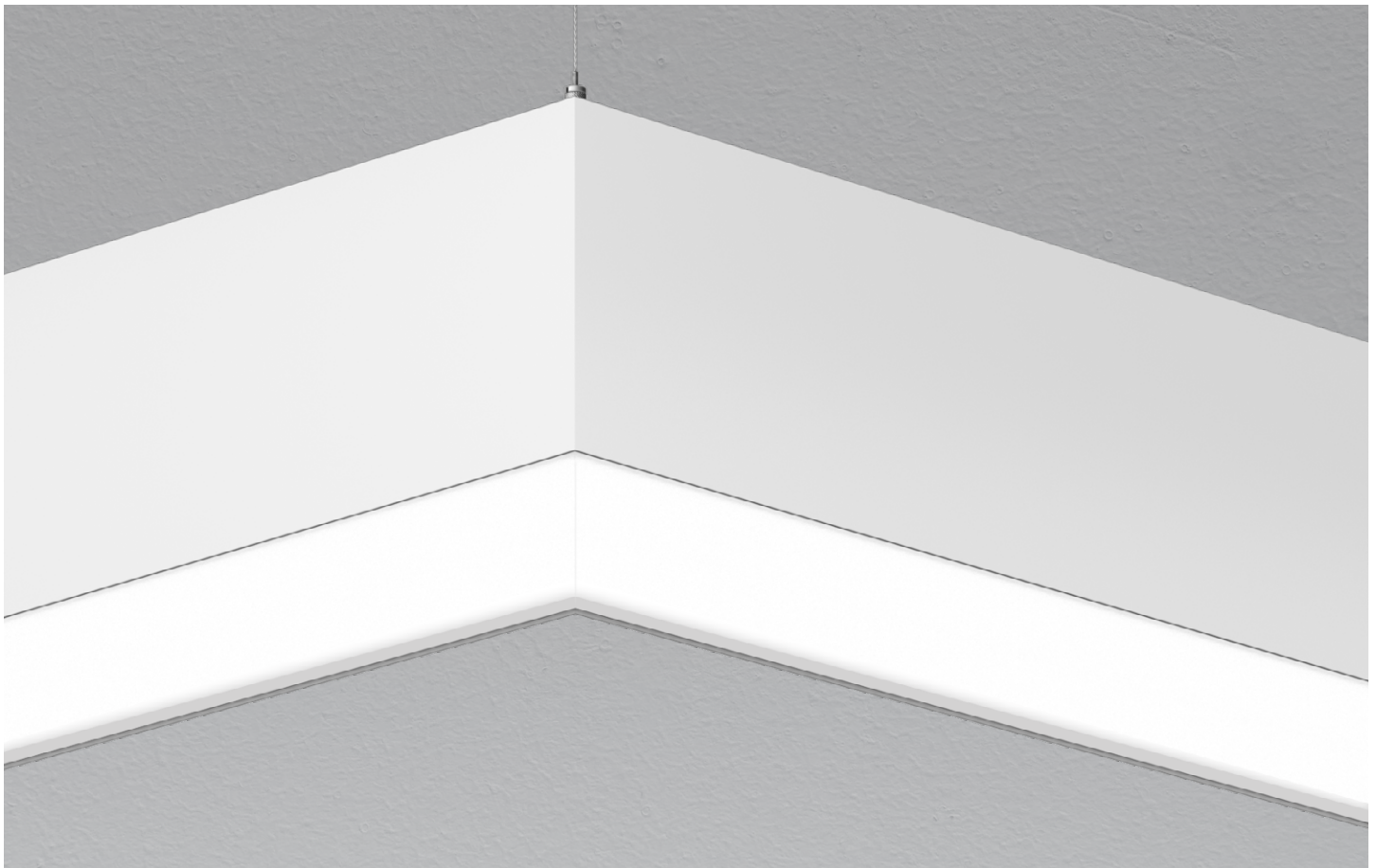


# VIA 2 PENDANT PATTERN

DIRECT/INDIRECT, DIRECT, INDIRECT  
CHROMAWERX - SOLA, DUO

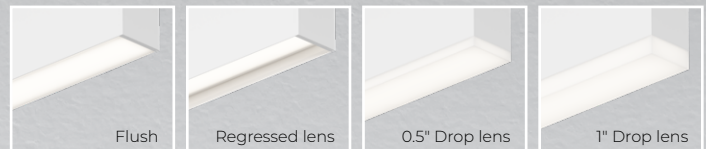


Declare.



Our elegant, flexible Via family is composed of linear, pendant, surface, recessed, and wall mounted luminaires. Each lighting fixture can be installed as a discrete luminaire or in continuous runs or patterns in which a combination of luminaires forms part of a custom design that can also incorporate less conventional acute and obtuse angles. Via 2 Pendant is offered with Lambertian, asymmetric, widespread, or wall wash optics.

## Lens Positions



## DIRECT



## INDIRECT



# VIA 2 PENDANT PATTERN



DIRECT/INDIRECT, DIRECT, INDIRECT  
CHROMAWERX - SOLA, DUO

Project: \_\_\_\_\_

Type: \_\_\_\_\_

## Order Guide

A drawing of your pattern is required - anything from a line drawing to an architectural drawing.

LUMINAIRE ID	DISTRIBUTION	DIRECT OPTIC Specify NA for Indirect fixture	LENS POSITION Specify NA for Indirect fixture	INDIRECT OPTIC Specify NA for Direct fixture	LIGHT SOURCE <sup>4</sup>
<b>VIA2PPAT</b>					
<b>VIA2PPAT</b> - Via 2" Pendant Pattern	<b>DI</b> - Direct/Indirect <b>D</b> - Direct <b>I</b> - Indirect	<b>HLO</b> - High-Efficiency Lambertian Optic <b>ARO2</b> - Asymmetric Refractive Optic <b>WRO2</b> - Wall Wash Refractive Optic <b>NA</b> - Not applicable	<b>FH</b> <sup>1</sup> - Flush <b>RG</b> <sup>1</sup> - Regressed <b>0.5D</b> <sup>1</sup> - 0.5" drop <b>1.0D</b> <sup>1</sup> - 1.0" drop <b>NA</b> <sup>1</sup> - Not applicable  <sup>1</sup> For HLO, specify FH, RG, 0.5D, or 1.0D. • For ARO2 and WRO2, specify FH. • For an Indirect fixture, specify NA.	<b>WIO2</b> - Widespread Indirect Optic <b>TIO</b> <sup>2</sup> - Translucent Indirect Optic <b>WAI2</b> - Widespread Asymmetric Indirect Optic <b>HLO</b> <sup>3</sup> - High-Efficiency Lambertian Optic <b>ARO2</b> <sup>3</sup> - Asymmetric Refractive Optic <b>NA</b> - Not applicable  <sup>2</sup> Available only with Direct/Indirect. <sup>3</sup> Not available with Direct/Indirect.	<b>SOLA</b> - Dim-to-warm single channel control 35K to 22K <b>DUO</b> - Tunable white 2-channel control 65K to 27K  <sup>4</sup> Static white, BIOS, and Chromawerx QUADRO also available. Consult other spec sheets.

CRI	DIRECT LUMEN PACKAGE Specify NA for Indirect fixture	INDIRECT LUMEN PACKAGE Specify NA for Direct fixture	PATTERN LENGTH	CORNER TYPE <sup>13</sup>
<b>80CRI</b> - 80+ CRI <b>90CRI</b> - 90+ CRI	<b>200LMF</b> <sup>5</sup> - Hypo output 200 lm/ft <b>350LMF</b> - Low output 350 lm/ft <b>500LMF</b> - Medium output 500 lm/ft <b>750LMF</b> - High output 750 lm/ft <b>1000LMF</b> <sup>6</sup> - Ultra high output 1000 lm/ft <b>1200LMF</b> <sup>7,8</sup> - Hyper output 1200 lm/ft <b>NA</b> - Not applicable  <sup>5</sup> Minimum 4' fixture. <sup>6</sup> For Direct/Indirect, Indirect must not exceed 750 lm/ft. <sup>7</sup> For Direct/Indirect, Indirect must not exceed 500 lm/ft. <sup>8</sup> Fixture will be very bright. Use in suitable applications. <sup>9</sup> For Direct/Indirect, Direct must not exceed 1000 lm/ft.	<b>200LMF</b> <sup>5</sup> - Hypo output 200 lm/ft <b>350LMF</b> - Low output 350 lm/ft <b>500LMF</b> - Medium output 500 lm/ft <b>750LMF</b> <sup>9</sup> - High output 750 lm/ft <b>1000LMF</b> <sup>10</sup> - Ultra high output 1000 lm/ft <b>1200LMF</b> <sup>8,11</sup> - Hyper output 1200 lm/ft <b>NA</b> - Not applicable  <sup>10</sup> For Direct/Indirect, Direct must not exceed 750 lm/ft. <sup>11</sup> For Direct/Indirect, Direct must not exceed 500 lm/ft.	<b>##FT##IN(##X##FT##IN-##X##FT##IN-...)</b> <sup>12</sup> -  ##FT##IN: total nominal length of pattern in feet and/or inches #X: quantity of each section #FT##IN: nominal length of each section in feet and/or inches  Continuous runs: lengths over 12'  <sup>12</sup> - Minimum 2' for Direct or Indirect. • Minimum 3' for Direct/Indirect. • Minimum 4' for DMX.	<b>#LEV2C(A##)</b> - 2-way leveled corner <b>#LEV3C(A##)</b> <sup>14,15</sup> - 3-way leveled corner <b>#LEV4C(A##)</b> <sup>14,15</sup> - 4-way leveled corner  <b>ANGLE (A##):</b> <b>(A60)</b> <sup>15</sup> - 60° <b>(A90)</b> - 90° <b>(A120)</b> - 120° <b>(A##)</b> <sup>16</sup> - Custom  <sup>13</sup> Specify quantity (#) and angle (A##) for each required corner type. If more than one option is specified, separate codes with a "+", e.g. 1LEV2C(A90)+2LEV2C(A60). <sup>14</sup> Separate angles with a "+" if more than one type is required, e.g. 1LEV4C(A60+A120). <sup>15</sup> Not available with ARO2/WRO2. <sup>16</sup> Minimum angle is 30°. For ARO2/WRO2, minimum angle is 75°.

VOLTAGE	DRIVER <sup>17</sup>	ELECTRICAL	MOUNTING <sup>20</sup>	FINISH	OPTIONS <sup>22</sup>
<b>120V</b> - 120V <b>277V</b> - 277V <b>UNV</b> - 120V-277V	<b>SOLA</b> <b>SDI</b> - Single 0-10V input  <b>DUO</b> <b>DMX</b> <sup>18,19</sup> - DMX <b>DDA</b> <sup>19</sup> - DALI DT6 <b>DDA8</b> <sup>19</sup> - DALI DT8 <b>DD1</b> - Dual 0-10V input for CCT/intensity <b>LD2</b> <sup>19</sup> - Lutron DALI-2 digital  <sup>17</sup> PoE (Power-over-Ethernet) compatible. Consult factory for details. <sup>18</sup> For more information, see pages 10 to 15. <sup>19</sup> On-site commissioning is required.	<b>1C</b> - 1 circuit	<b>ACS</b> - Aircraft cable, standard <b>STS</b> <sup>21</sup> - Stem, standard <b>ACC()</b> - Aircraft cable, custom <b>STC()</b> <sup>21</sup> - Stem, custom  <sup>20</sup> Standard canopies are black for black fixtures, and white for all other finishes. See page 3 for full details on standard and custom options. <sup>21</sup> Not available with DMX.	<b>W</b> - Matte white <b>AL</b> - Aluminum <b>B</b> - Matte black <b>CF#</b> - Custom finish, specify RAL#	<b>FU120</b> - Fuse 120V <b>FU277</b> - Fuse 277V <b>CTB9</b> <sup>23</sup> - T-bar caddy clip, 9/16" <b>CTB15</b> <sup>23</sup> - T-bar caddy clip, 15/16" <b>CTG9</b> <sup>23</sup> - Tegular caddy clip, 9/16" <b>CTG15</b> <sup>23</sup> - Tegular caddy clip, 15/16" <b>CST</b> <sup>23</sup> - Screw slot caddy clip <b>NA</b> - None  <sup>22</sup> Separate codes with a "+" if more than one is specified. <sup>23</sup> Available with aircraft cable only.

## Accessories

Optional, order separately

WALL CONTROLLER <sup>24</sup>	
<b>DMX</b>	<b>DDI</b>
<b>WCW##FT</b> <sup>25</sup> - DMX wall controller white <b>WCB##FT</b> <sup>25</sup> - DMX wall controller black	<b>TWCW##FT</b> <sup>26,27</sup> - Dual 0-10V wall controller white <b>TWCB##FT</b> <sup>26,27</sup> - Dual 0-10V wall controller black
<sup>24</sup> Specify wire length (##) in feet. <sup>25</sup> Available with DMX only. For more information, see pages 10 to 15, or consult factory. <sup>26</sup> Available with DDI only. For more information, see page 16, or consult factory. <sup>27</sup> Only available with 120V.	

# VIA 2 PENDANT PATTERN



DIRECT/INDIRECT, DIRECT, INDIRECT  
CHROMAWERX - SOLA, DUO

## Pendant Mounting Code

### Aircraft Cable

#### Standard

##### ACS - Aircraft cable, standard

- Ø 5" for power canopy
- Ø 3" for non-power canopy
- Canopies are black for black fixtures, and white for all other fixture finishes
- Power cord is black for black fixtures, and white for all other fixture finishes
- Aircraft cable length is 36"

### Stem

#### Standard

##### STS - Stem, standard

- Ø 5" for power canopy
- Ø 5" for non-power canopy
- Canopies are black for black fixtures, and white for all other fixture finishes
- Stem finish is the same color as fixture
- Stem length is 18"
- Stem is not field adjustable

#### Custom

Example: ACC(3NPC-72IN-W-PCB-NA)

##### ACC( ) - Aircraft cable, custom

NON-POWER CANOPY SIZE	AIRCRAFT CABLE LENGTH	CANOPY FINISH	POWER CORD COLOR	OPTION
<b>3NPC</b> - Ø 3" non-power canopy <b>5NPC</b> - Ø 5" non-power canopy	<b>36IN</b> - 36" <b>72IN</b> - 72" <b>120IN</b> - 120" <b>#IN</b> <sup>1</sup> - Other lengths, specify in inches	<b>W</b> - Matte white <b>AL</b> - Aluminum <b>B</b> - Matte black <b>CF#</b> - Custom finish, specify RAL#	<b>PCW</b> - White <b>PCB</b> - Black	<b>SEM</b> <sup>2</sup> - Seismic mounting <b>SLC</b> <sup>2</sup> - Sloped ceiling for aircraft cable <b>NA</b> - None
	<sup>1</sup> Maximum length is 288". For longer lengths, please consult factory.			<sup>2</sup> Not available with the Ø 3" non-power canopy size.

#### Custom

Example: STC(5NPC-36IN-W-STW-SLS)

##### STC( ) - Stem, custom

NON-POWER CANOPY SIZE	STEM LENGTH	CANOPY FINISH	STEM COLOR	OPTION
<b>5NPC</b> - Ø 5" non-power canopy	<b>18IN</b> - 18" <b>36IN</b> - 36" <b>#IN</b> <sup>3</sup> - Specify length in inches	<b>W</b> - Matte white <b>AL</b> - Aluminum <b>B</b> - Matte black <b>CF#</b> - Custom finish, specify RAL#	<b>STW</b> - Matte white <b>STAL</b> - Aluminum <b>STB</b> - Matte black <b>STCF#</b> - Custom finish, specify RAL#	<b>SLS</b> - Sloped ceiling for stem <b>NA</b> - None
	<sup>3</sup> Minimum length is 6". Maximum length is 72". Stem is not field adjustable.			

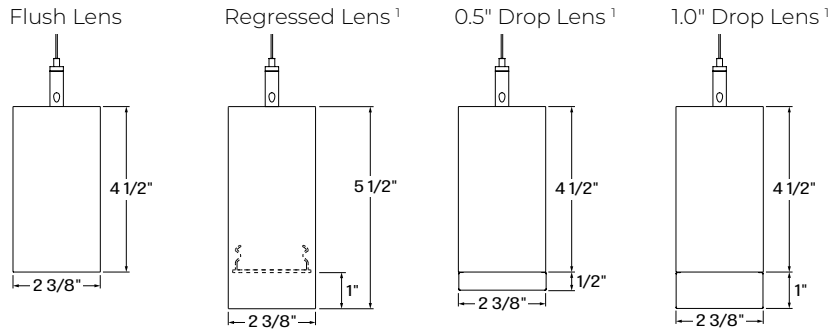
# VIA 2 PENDANT PATTERN



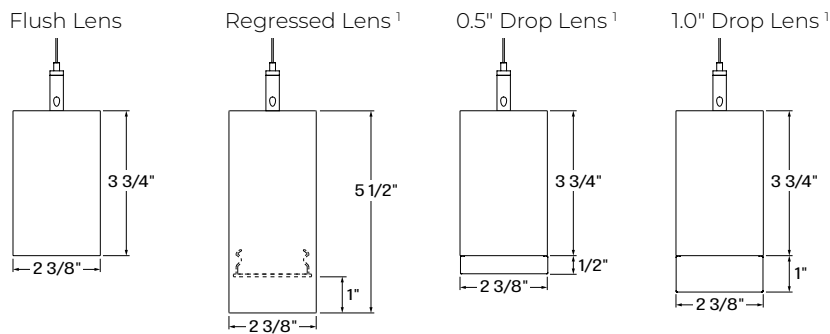
DIRECT/INDIRECT, DIRECT, INDIRECT  
CHROMAWERX - SOLA, DUO

## Dimensions

### DIRECT/INDIRECT



### DIRECT or INDIRECT



<sup>1</sup>Only available with HLO direct lens.

# VIA 2 PENDANT PATTERN

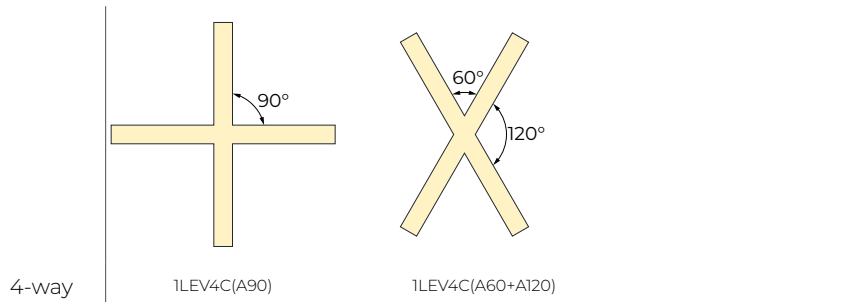
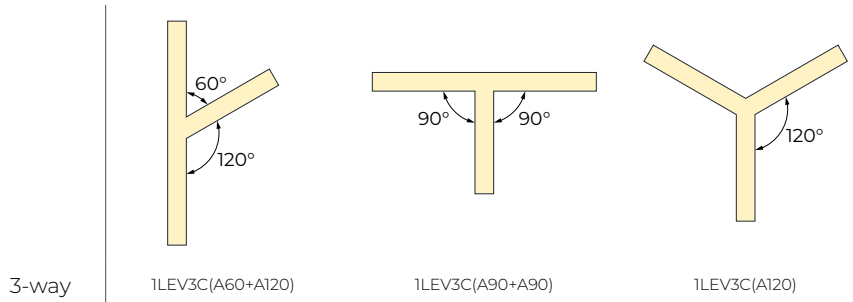
DIRECT/INDIRECT, DIRECT, INDIRECT  
CHROMAWERX - SOLA, DUO



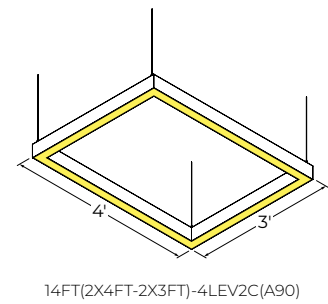
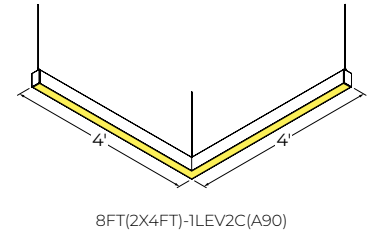
## Pattern Layout

### CORNER TYPES

#### LEVELED CORNERS



### EXAMPLES



# VIA 2 PENDANT PATTERN



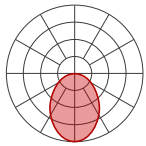
DIRECT/INDIRECT, DIRECT, INDIRECT  
CHROMAWERX - SOLA, DUO

## Photometrics

Values calculated based on a 4' fixture at 3500K for all optics.

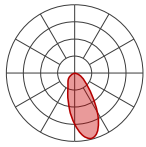
### DIRECT OPTICS

HLO (Flush lens)



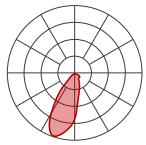
LM/FT	W/FT	LM/W
200	1.6	124
350	2.9	120
500	4.3	117
750	6.8	111
1000	9.4	106
1200	11.8	102

ARO2



LM/FT	W/FT	LM/W
200	1.7	119
350	3.0	116
500	4.4	113
750	7.0	107
1000	9.7	103
1200	12.1	99

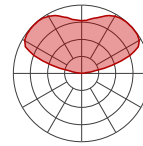
WRO2



LM/FT	W/FT	LM/W
200	1.7	119
350	3.0	116
500	4.4	112
750	7.0	107
1000	9.8	102
1200	12.2	99

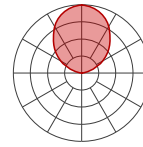
### INDIRECT OPTICS

WIO2



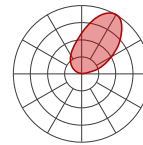
LM/FT	W/FT	LM/W
200	1.3	148
350	2.4	145
500	3.5	141
750	5.5	136
1000	7.7	130
1200	9.5	126

TIO



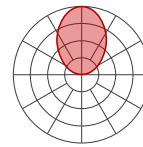
LM/FT	W/FT	LM/W
200	1.5	130
350	2.7	127
500	4.0	124
750	6.3	119
1000	8.8	114
1200	10.9	110

WAI2



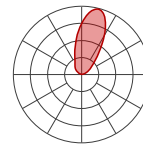
LM/FT	W/FT	LM/W
200	1.4	142
350	2.5	139
500	3.7	135
750	5.8	130
1000	8.0	125
1200	10.0	120

HLO



LM/FT	W/FT	LM/W
200	1.6	124
350	2.9	120
500	4.3	117
750	6.8	111
1000	9.4	106
1200	11.8	102

ARO2



LM/FT	W/FT	LM/W
200	1.7	119
350	3.0	116
500	4.4	113
750	7.0	107
1000	9.7	103
1200	12.1	99

### DIRECT/INDIRECT - LPW CALCULATION

For Direct/Indirect performance values, follow the formula.

$$\frac{\left( \begin{matrix} \text{DIRECT} \\ \text{LM/FT} \end{matrix} + \begin{matrix} \text{INDIRECT} \\ \text{LM/FT} \end{matrix} \right)}{\left( \begin{matrix} \text{DIRECT} \\ \text{W/FT} \end{matrix} + \begin{matrix} \text{INDIRECT} \\ \text{W/FT} \end{matrix} \right)} = \text{LPW}$$

### MULTIPLIER TABLES

Use these tables to get results for different color temperatures and lens positions for all photometric tables.

#### SOLA

CCT	WATTS		LPW	
	80+ CRI / 90+ CRI	80+ CRI / 90+ CRI	80+ CRI / 90+ CRI	80+ CRI / 90+ CRI
3500K	1.00		1.00	

#### DUO

CCT	WATTS		LPW	
	80+ CRI / 90+ CRI	80+ CRI / 90+ CRI	80+ CRI / 90+ CRI	80+ CRI / 90+ CRI
2700K	1.05		0.95	
6500K	1.00		1.00	

#### Multiplier - Lens position

DIRECT LENS	WATTS	LPW
Flush lens	1.00	1.00
Regressed lens	0.99	1.00
Drop lens 0.5"	0.99	1.00
Drop lens 1.0"	0.95	1.05

# VIA 2 PENDANT PATTERN



DIRECT/INDIRECT, DIRECT, INDIRECT  
CHROMAWERX - SOLA, DUO

## Technical Specifications

### DIRECT OPTICS

#### High-Efficiency Lambertian Optic (HLO)

The High-Efficiency Lambertian Optic (HLO) uses matte white reflectors to distribute LED output across 0.075" acrylic shielding, providing up to 88% transmission and good obscuration. Available with different lens position options, HLO has a spacing criterion of 1.06.

#### Asymmetric Refractive Optic (ARO2)

The Asymmetric Refractive Optic (ARO2) uses a sophisticated reflector combined with a matte beam-shaping film to create a smooth, effective downward light component without shadows or hot spots. It provides directional Gaussian light distribution with peak intensity at 20° above nadir and a 55° Full Width at Half Maximum (FWHM) beam angle. Microstructure material applied to the snap-in lens provides the precise refractive power and visual comfort, while achieving a high luminous efficacy.

#### Wall Wash Refractive Optic (WRO2)

The Wall Wash Refractive Optic (WRO2) delivers smooth vertical illumination with a gentle gradient and soft visual cut-off. Its exacting configuration creates a strong downward light component without shadows or hot spots and provides light distribution with peak intensity at 21° above nadir. Microstructure material applied to the snap-in lens provides the precise refractive power and visual comfort, while achieving a high luminous efficacy.

### INDIRECT OPTICS

#### Widespread Indirect Optic (WIO2)

The Widespread Indirect Optic (WIO2) is a horizontal LED array with a widespread indirect micro prismatic optic that offers an impressive 160° spread. WIO2 creates an even illumination for smooth brightness on the ceiling that can achieve uniformity ratios of up to 2:1.

#### Uniformity [max/min]

Based on 18' continuous runs, in a 20' x 40' room, 10' wall height

Mounting height from ceiling	Spacing (Center to center)		
	8'	10'	12'
12"	5.5	10.0	9.0
18"	3.5	6.0	6.0
24"	2.5	4.0	4.5

#### Translucent Indirect Optic (TIO)

The Translucent Indirect Optic (TIO) is composed of a horizontal LED array that has a translucent lens to mask pixilation from the diodes. TIO has a 100° spread in the indirect that is ideal when the fixture is mounted farther away from the ceiling.

#### Widespread Asymmetric Indirect Optic (WAI2)

The Widespread Asymmetric Indirect Optic (WAI2) offers an upward grazing effect with a 45° forward throw. It softly highlights the ceiling in the up-light while distributing the required illumination of the rest of an interior space. For avoiding glare and enjoying visual comfort, WAI2 is an ideal solution.

#### High-Efficiency Lambertian Optic (HLO)

The High-Efficiency Lambertian Optic (HLO) uses matte white reflectors to distribute LED output across 0.075" acrylic shielding, providing up to 88% transmission and good obscuration. HLO has a spacing criterion of 1.06.

#### Asymmetric Refractive Optic (ARO2)

The Asymmetric Refractive Optic (ARO2) uses a sophisticated reflector combined with a matte beam-shaping film to create a smooth, effective downward light component without shadows or hot spots. It provides directional Gaussian light distribution with peak intensity at 20° above nadir and a 55° Full Width at Half Maximum (FWHM) beam angle. Microstructure material applied to the snap-in lens provides the precise refractive power and visual comfort, while achieving a high luminous efficacy.

# VIA 2 PENDANT PATTERN



DIRECT/INDIRECT, DIRECT, INDIRECT  
CHROMAWERX - SOLA, DUO

## LIGHT SOURCE

Custom linear array of alternating color temperature mid-flux LEDs are mounted directly to the housing for optimal thermal performance. For the DUO products, a color temperature range from 6500K-2700K is achievable with color points on or below the black body curve. For the SOLA products, a color temperature range from 3500K-2200K is controlled synchronously with intensity. Color consistency between fixtures is maintained to within 3 SDCM. All LEDs have been tested in accordance with IESNA LM-80-08 and the results have shown L80 lumen maintenance greater than 60,000 hours. Absolute product photometry is measured and presented in accordance with IESNA LM-79, unless otherwise indicated.

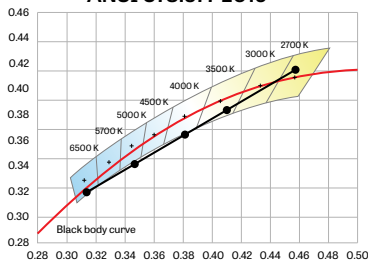
## Chromawerx SOLA

It is a single-channel control that dims output while warming the color temperature in a pre-determined relationship. A simple analog control sends a common signal to dual output digital drivers, which are programmed to adjust a specially populated LED array to emulate the effect of dimming a filament source. Dimming range is programmable but the default option runs from 3500K at 100% of full power to 2200K at 5% of full power. CRI is maintained above 80 throughout the dimming range.

## Chromawerx DUO

It is a two-channel control. It uses an analog (0-10V) protocol for separate control of luminaire CCT and intensity or a digital (DMX, DALI, and LD2) protocol for synchronous control of both warm and cool LED arrays to enable the user to set color temperature and light output. Commonly called "tunable white", Chromawerx two-channel control provides the range of cool (6500K) to warm (2700K) color that can be useful for helping to entrain circadian rhythms, stimulate alertness for improved educational and work productivity, and compensate for jet lag, among other applications. The Chromawerx drivers are programmed to limit maximum light output and power usage across all color temperatures. CRI is maintained above 80. When paired with DALI drivers (DDA/DDA8), color tuning follows a linear dimming curve.

ANSI C78.377-2015



## PATTERN LENGTH

All individual sections are joined together onsite using the joiner kits provided. Lumenwerx offers joiner kits that are extremely simple to work with in the field and result in a fixture that appears virtually seamless with no light leak at any connection.

## ELECTRICAL

### SOLA

#### SDI

Factory-set, adjustable output current LED driver with universal (120-277 VAC) input. Using a single 0-10V control signal, the light output warms in color temperature as it dims down to 1% and 2200K. At maximum driver load, efficiency<86%, PF>0.9, THD<20%.

### DUO

#### DMX

Factory-set adjustable output current electronic driver with 120-277 VAC line input. Using DMX wall controls (optionally supplied by Lumenwerx) or an existing DMX control system, both channels of LEDs are independently adjustable. Each DMX driver can be independently addressed using the built-in RDM (Remote Device Management) in the field. Dimming down to 1% is attainable. Rated life (90% survivorship) of 50,000 hours at 50°C maximum ambient temperature. At maximum driver load, efficiency<84%, PF>0.9, THD<20%.

#### DALI

Factory-set adjustable output current electronic driver with 120-277 VAC line input. Using an existing DALI control system (supplied by others), one control channel adjusts the fixture color temperature, and the other control channel adjusts fixture brightness. With DALI Type 6, two DALI addresses are required to control both channels. With DALI Type 8, one DALI address is required to control both channels. Dimming down to 1% is attainable. Rated life (90% survivorship) of 50,000 hours at 50°C maximum ambient temperature. At maximum driver load, efficiency<84%, PF>0.9, THD<20%.

#### DD1

Factory-set adjustable output current LED driver with universal (120-277 VAC) input. Controlled via two individual 0-10V signals, one for setting light output down to a minimum of 1% and the other for adjusting the CCT (default range of 6500K-2700K). Rated life of 50,000 hours at 70°C maximum driver case temperature and 100% load conditions. Typical efficiency of 86%, PF>0.9, THD<20% at 100% load conditions.

#### LD2

Lutron DALI-2 digital drivers provide a high-performance tunable white solution with single-address digital control. Guaranteed performance and compatibility when used with Lutron DALI-2 controls.

# VIA 2 PENDANT PATTERN



DIRECT/INDIRECT, DIRECT, INDIRECT  
CHROMAWERX - SOLA, DUO

## PoE

Depending on the PoE manufacturer selected, Lumenwerx will install the node in factory as either integral to the luminaire or as a remote module. Factory programming of the PoE node may or may not enable the following functionalities: lumen package, DUO (tunable white), QUADRO (RGBW), emergency battery backup, and sensor integration. These must be addressed and evaluated on a case-by-case basis.

## MOUNTING

Pendant fixtures can be mounted either with aircraft cable or with stem. See page 3 for details.

## FINISH

**Interior:** 95% reflective matte powder coated white paint

**Exterior:** Matte white, matte black, or aluminum powder coating. Custom finishes are also available.

## CONSTRUCTION

**Housing:** Extruded aluminum, up to 90% recycled content

**Interior brackets:** Die-formed cold rolled sheet steel

**Joining system:** Die-cast zinc

**Reflectors:** Die-formed cold rolled steel, 95% reflective matte white painted

**Lens:** Acrylic

**Drop lens:** Extruded with glued end caps

**End caps:** Die-cast aluminum

**Hanger:** Chromed griplock securely attached in end caps and/or joiners with stainless steel hardware

**Aircraft cable suspension:** Ø 1/16" stainless steel aircraft cable

**Stem:** Ø 1/2" threaded steel tube

## CERTIFICATIONS

**ETL:** Rated for indoor dry/damp locations. Conforms to UL Standard 1598 and certified to CAN/CSA Standard C22.2 No. 250.0.

**Declare:** [LBC Red List Approved](#)

## WARRANTY

Lumenwerx provides a five-year limited warranty on electrical and mechanical performance of the luminaires, including the LED boards, drivers, and auxiliary electronics. Lumenwerx will repair or replace defective luminaires or components at our discretion, provided they have been installed and operated in accordance with our specifications. Other limitations apply, please refer to the full warranty on our website.

Wall controllers are covered by the manufacturer warranty.

# VIA 2 PENDANT PATTERN



DIRECT/INDIRECT, DIRECT, INDIRECT  
CHROMAWERX - SOLA, DUO

## DUO DMX SPECIFICATION

A qualified DMX integrator is required to assure proper installation and commissioning of the DMX network. **When placing the PO, please provide the contact information of your DMX integrator.**

Please answer the following questions to help us identify your DMX network requirements.

YES

Do you require a wall controller provided by Lumenwerx?

NO

DMX control system supplied by others. Lumenwerx will supply DMX-enabled fixtures with default DMX addressing. See following pages for technical DMX informations. ✓

DMX controller supplied by Lumenwerx

### How many zones do you have?

A zone consists of one or more luminaires behaving identically.



1 Zone



2 Zones

### How to calculate the required number of drivers:

per 4' fixture

Driver  
1x driver

Direct only

per 4' fixture

Driver Driver  
2x driver

Direct high output

To Calculate # of drivers

1 - 4 Zones

5 or more Zones

Do you have more than 32 drivers in total?

NO

YES

Order a standard Lumenwerx wall controller.

#### WALL CONTROLLER

**WCW** - wall controller white  
**WCB** - wall controller black

Add the control code at the end of your order code.

Please provide a fixture layout or RCP (Reflected Ceiling Plan) showing the locations of the DMX fixtures, zones and the DMX wall controller.

Refer to your DMX integrator for the installation. ✓

Subject to factory evaluation. Please contact our controls specialist at [controls@lumenwerx.com](mailto:controls@lumenwerx.com). Additional cost and equipment will be required. ✓

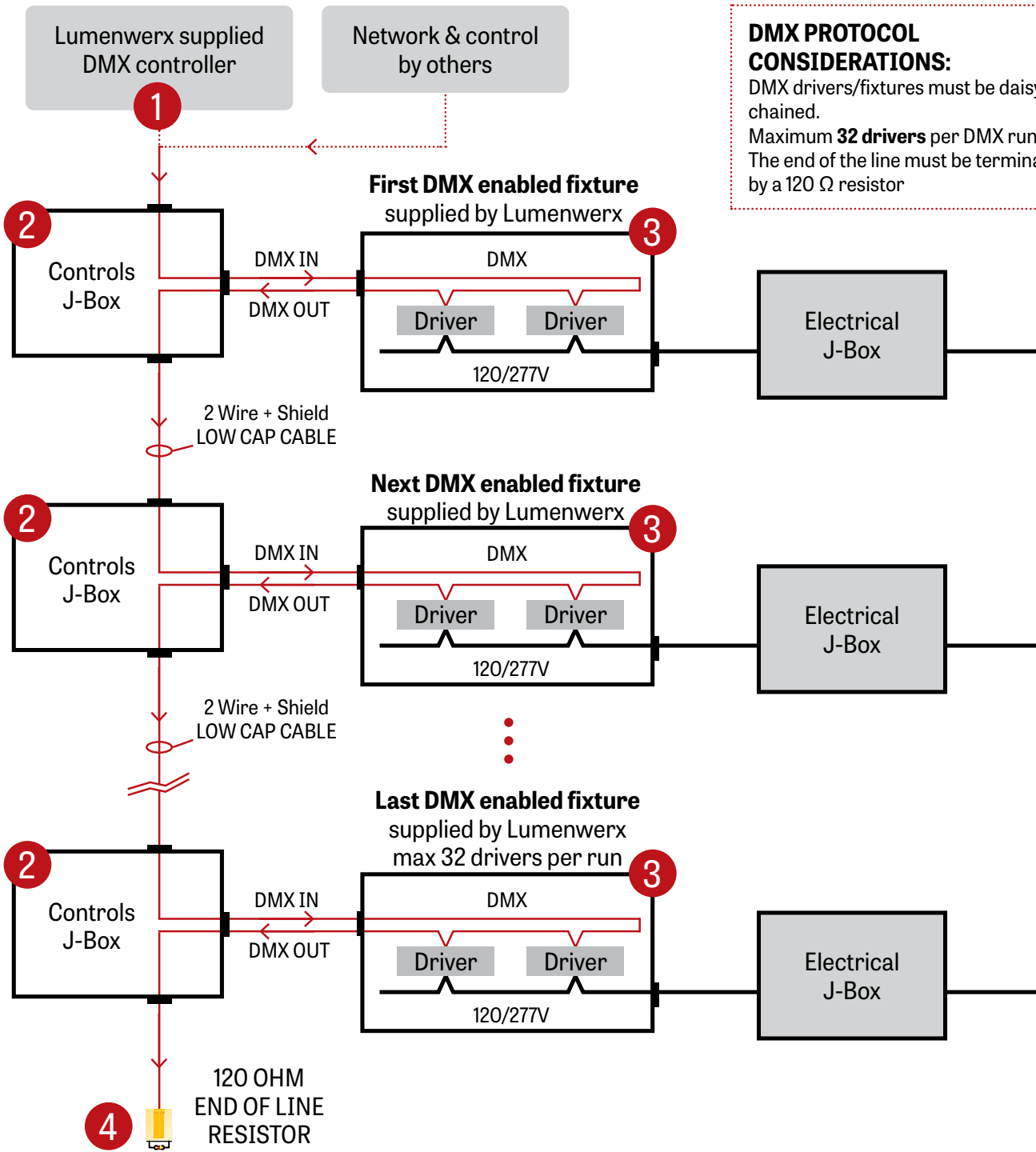
Subject to factory evaluation and approval. Please contact our controls specialist at [controls@lumenwerx.com](mailto:controls@lumenwerx.com). Additional cost and equipment will be required. ✓

# VIA 2 PENDANT PATTERN

DIRECT/INDIRECT, DIRECT, INDIRECT  
CHROMAWERX - SOLA, DUO



## GENERIC DMX NETWORK ARCHITECTURE



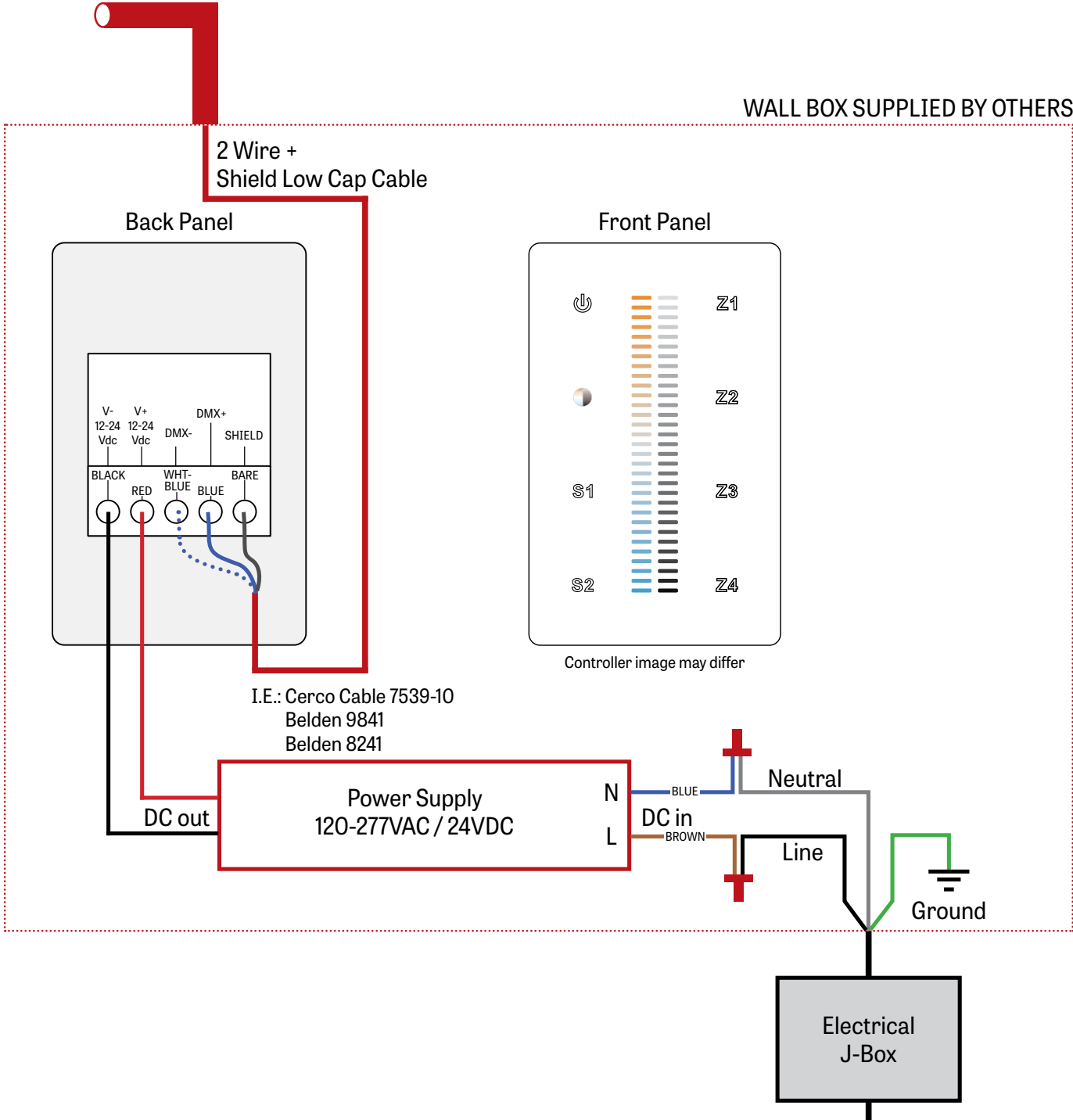
**DMX PROTOCOL CONSIDERATIONS:**  
DMX drivers/fixtures must be daisy chained.  
Maximum **32 drivers** per DMX run.  
The end of the line must be terminated by a 120 Ω resistor

# VIA 2 PENDANT PATTERN

DIRECT/INDIRECT, DIRECT, INDIRECT  
CHROMAWERX - SOLA, DUO

## 1 LUMENWERX SUPPLIED DMX CONTROLLER

To the first fixture

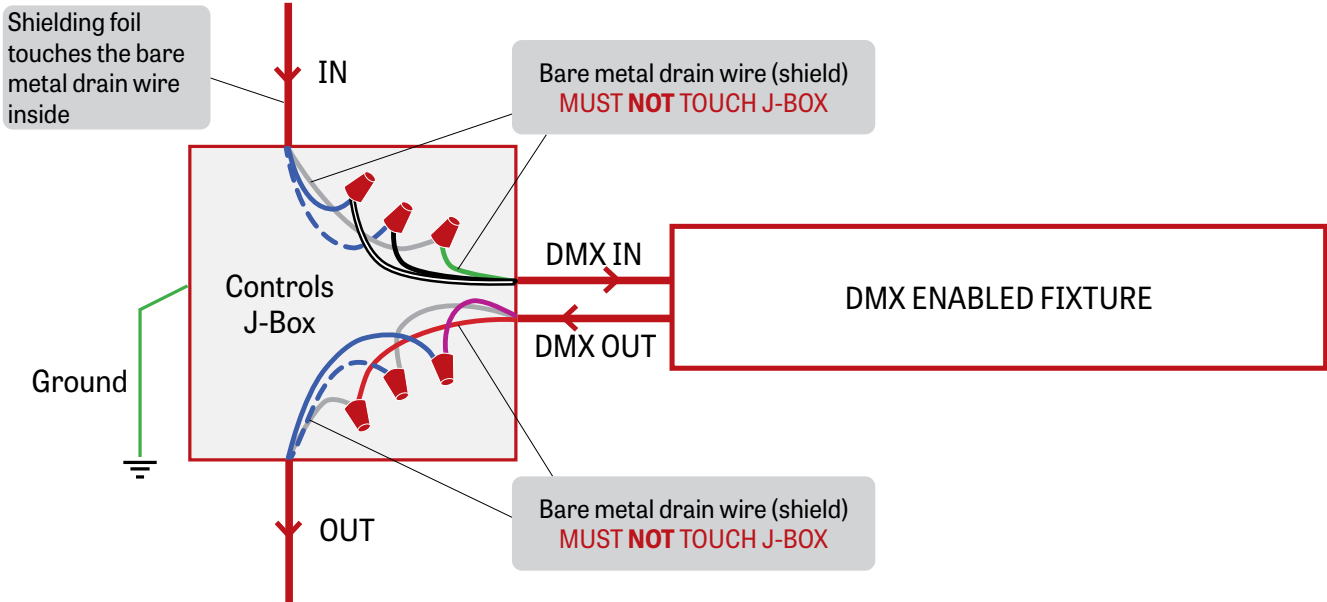


# VIA 2 PENDANT PATTERN

DIRECT/INDIRECT, DIRECT, INDIRECT  
CHROMAWERX - SOLA, DUO

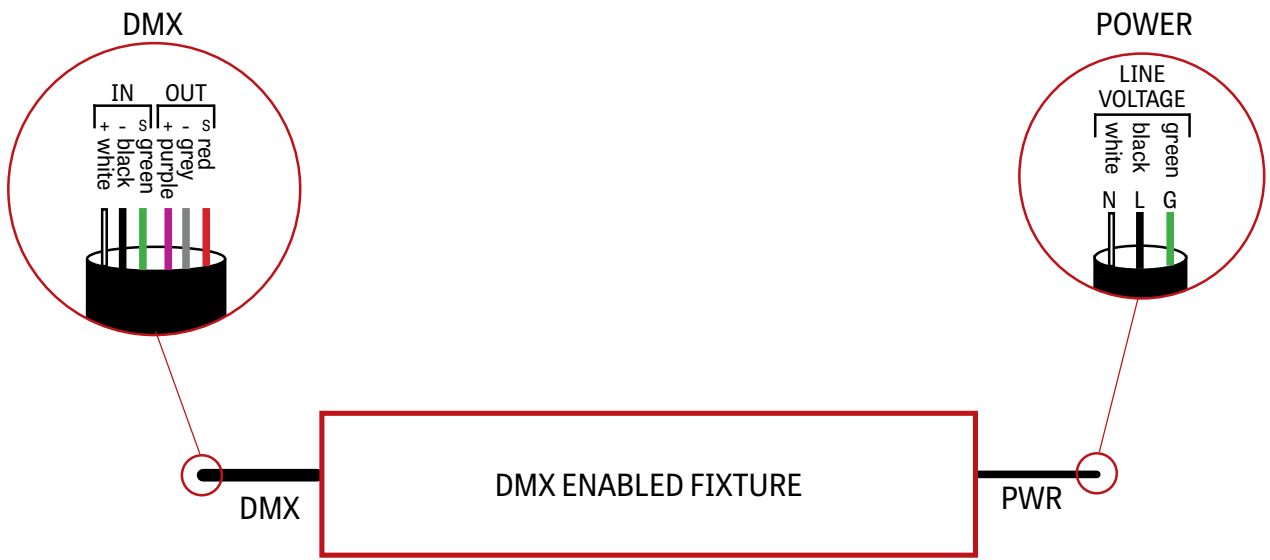
## 2 J-BOX DMX DAISY CHAIN DETAIL

Low capacitance DMX Cable from Previous Fixture



Low capacitance DMX cable to next fixture

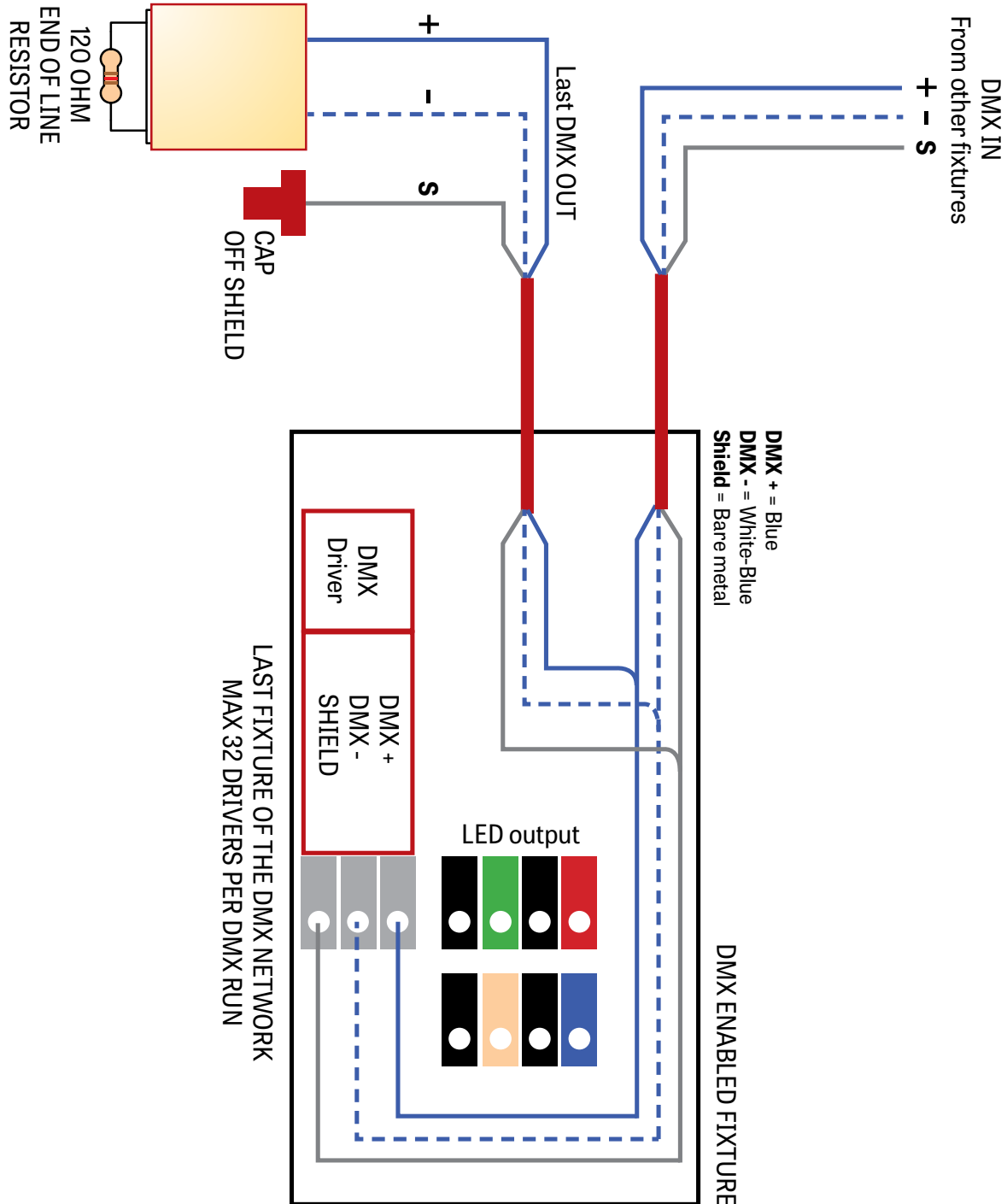
## 3 DMX CONNECTION PENDANT & WALL



# VIA 2 PENDANT PATTERN

DIRECT/INDIRECT, DIRECT, INDIRECT  
CHROMAWERX - SOLA, DUO

## 4 DMX LAST FIXTURE DETAIL

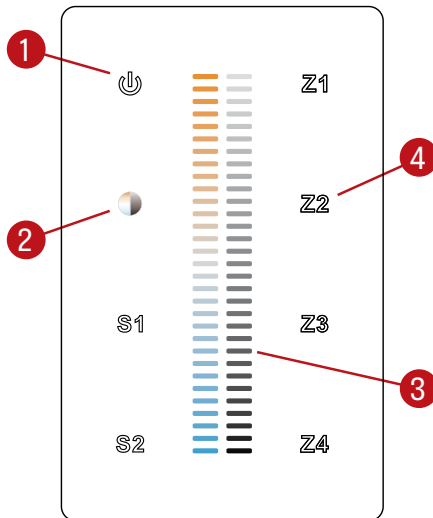


# VIA 2 PENDANT PATTERN

DIRECT/INDIRECT, DIRECT, INDIRECT  
CHROMAWERX - SOLA, DUO

## DMX WALL CONTROLLER

### DUO 1-4 ZONE



- (1) Power: Use this button to turn ON or OFF the fixture.
- (2) Brightness/CCT: Use the color/brightness toggle button to choose between color/brightness. When Blue: brightness is selected, when Yellow: color is selected.
- (3) Slider: Depending on the mode chosen in step 2, the slider will allow the user to set desired color or brightness.
- (4) Zone select: Up to 4 zones can be selected either independently or together. Once selected, the commands will be sent to the zone identified by a Blue LED.

### Default DMX Addresses:

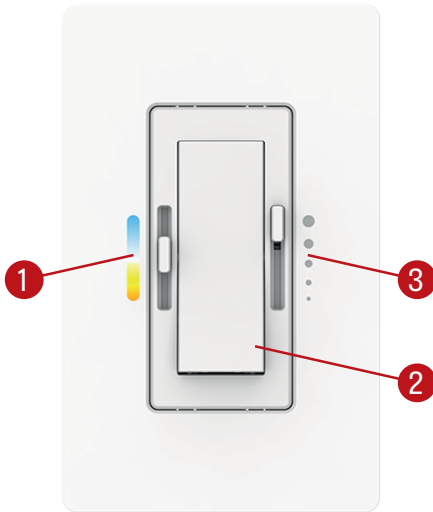
- 1 Warm
- 2 Cool

# VIA 2 PENDANT PATTERN

DIRECT/INDIRECT, DIRECT, INDIRECT  
CHROMAWERX - SOLA, DUO

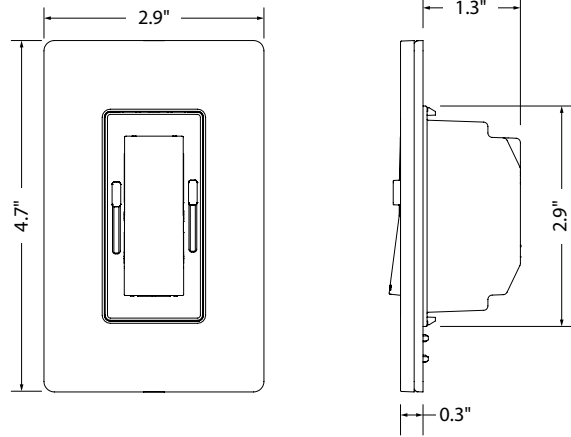
## DUAL 0-10V WALL CONTROLLER

### Front Panel



Controller image may differ

### Dimensions



- (1) CCT control: Use this button to adjust the color temperature.
- (2) On/Off switch: Use this button to turn ON or OFF the fixture.
- (3) Dimming control: Use this button to adjust the brightness.

### Wiring Diagram

