

VIA 2 RECESSED

DIRECT
CHROMAWERX - SOLA, DUO



IC RATED Declare.



Our elegant, flexible Via family is composed of linear, pendant, surface, recessed, and wall mounted luminaires. Each lighting fixture can be installed as a discrete luminaire or in continuous runs or patterns. Via 2 Recessed is offered with Lambertian, asymmetric, widespread, wall wash, or low-glare optics.

DIRECT



HLO ARO2 WRO2 WDO LGO MPO DDO

VIA 2 RECESSED



DIRECT
CHROMAWERX - SOLA, DUO

Project: _____

Type: _____

Order Guide

LUMINAIRE ID	DISTRIBUTION	OPTIC	LENS POSITION	LIGHT SOURCE ²
VIA2R	D			
VIA2R - Via 2" Recessed	D - Direct	HLO - High-Efficiency Lambertian Optic ARO2 - Asymmetric Refractive Optic WRO2 - Wall Wash Refractive Optic WDO - Widespread Direct Optic LGO - Low-Glare Optic MPO - Micro-Prismatic Optic DDO - Domed Deglare Optic	FH ¹ - Flush RG ⁴ - Regressed 0.5D ¹ - 0.5" drop 1.0D ¹ - 1.0" drop ¹ For HLO, specify FH, RG, 0.5D, or 1.0D. ⁴ For ARO2, WRO2, WDO, LGO, MPO, and DDO, specify FH.	SOLA - Dim-to-warm single channel control 35K to 22K DUO - Tunable white 2-channel control 65K to 27K ² Static white, BIOS, and Chromawerx QUADRO also available. Consult other spec sheets.
CRI	LUMEN PACKAGE	LUMINAIRE LENGTH	VOLTAGE	DRIVER ⁸
80CRI - 80+ CRI 90CRI - 90+ CRI	200LMF ³ - Hypo output 200 lm/ft 350LMF - Low output 350 lm/ft 500LMF - Medium output 500 lm/ft 750LMF - High output 750 lm/ft 1000LMF ⁴ - Ultra high output 1000 lm/ft 1200LMF ^{5,6} - Hyper output 1200 lm/ft ³ Minimum 4' fixture. ⁴ Not available with LGO. ⁵ Not available with WDO/LGO/MPO/DDO. ⁶ Fixture will be very bright. Use in suitable applications.	#FT#IN ⁷ - Specify nominal length (#) in 1' and/or 1" increments Standard nominal lengths: Single units: 2' to 12' (up to 8' for MPO and DDO) Continuous runs: lengths over 12' (8' for MPO and DDO) ⁷ - Minimum 2'. • Minimum 4' for DMX.	120V - 120V 277V - 277V UNV - 120V-277V	SOLA SDI - Single 0-10V input DUO DMX ^{9,10} - DMX DDA ¹⁰ - DALI DT6 DDA8 ¹⁰ - DALI DT8 DD1 - Dual 0-10V input for CCT/intensity LD2 ¹⁰ - Lutron DALI-2 digital ⁸ PoE (Power-over-Ethernet) compatible. Consult factory for details. ⁹ For more information, see pages 9 to 14. ¹⁰ On-site commissioning is required.
ELECTRICAL	MOUNTING ¹¹	FINISH	OPTIONS ¹³	
1C	TC9 - Tegular 9/16" TC15 - Tegular 15/16" TB9 - T-bar 9/16" TB15 - T-bar 15/16" ST - Screw slot T-bar DTR - Trim DTL - Trimless DMF - Drywall mud flange MFM ¹² - Multiple flange mounting ¹¹ Transition mounting options also available (e.g. Recessed to Pendant/Surface), consult factory for details. ¹² See page 4 for details.	W - Matte white B - Matte black CF# - Custom finish, specify RAL#	FUI20 - Fuse 120V FU277 - Fuse 277V FWC - Flexible whip cable (6' std) CP - Chicago Plenum NA - None ¹³ Separate codes with a "+" if more than one is specified.	

Accessories

Optional, order separately

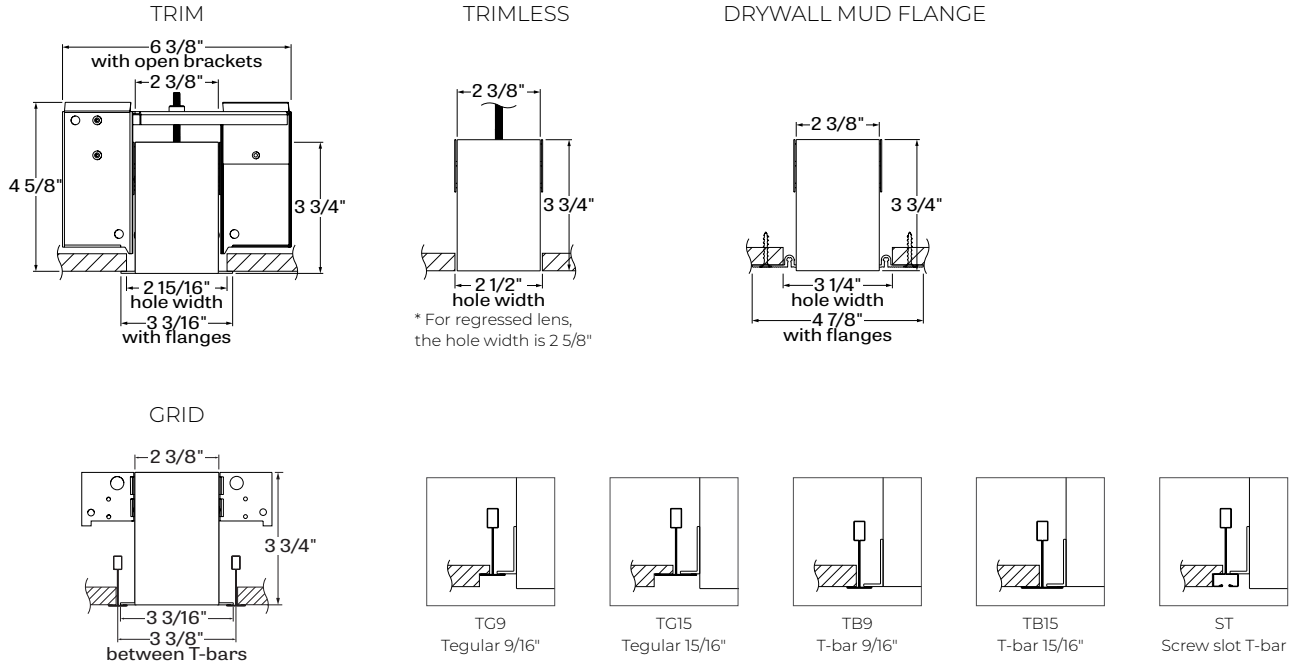
WALL CONTROLLER ¹⁴	
DMX	DD1
WCW##FT ¹⁵ - DMX wall controller white WCB##FT ¹⁵ - DMX wall controller black	TWCW##FT ¹⁶ - Dual 0-10V wall controller white TWCB##FT ¹⁶ - Dual 0-10V wall controller black
¹⁴ Specify wire length (##) in feet. ¹⁵ Available with DMX only. For more information, see pages 9 to 14, or consult factory. ¹⁶ Available with DD1 only. For more information, see page 15, or consult factory.	

VIA 2 RECESSED

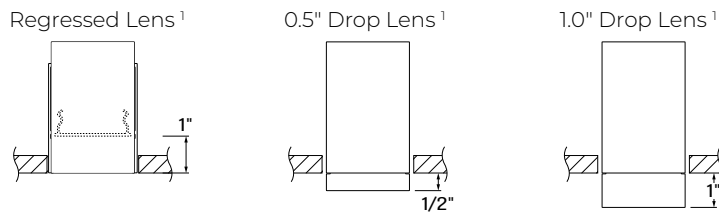


DIRECT
CHROMAWERX - SOLA, DUO

Dimensions



LENS POSITIONS



¹ Regressed lens and drop lens positions available with HLO only.

VIA 2 RECESSED

DIRECT
CHROMAWERX - SOLA, DUO

Multiple Flange Mounting Details

Multiple flange mounting can be specified when a fixture run needs to have a multiple flange recessed mounting detail. A drawing is required to clearly illustrate the application.

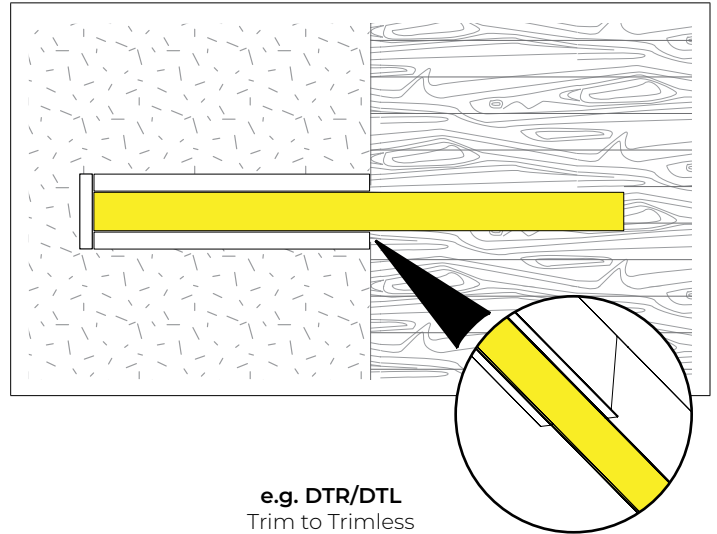
CEILING CONDITION EXAMPLES (consult factory for project specific ceiling conditions)

DRYWALL/GRID



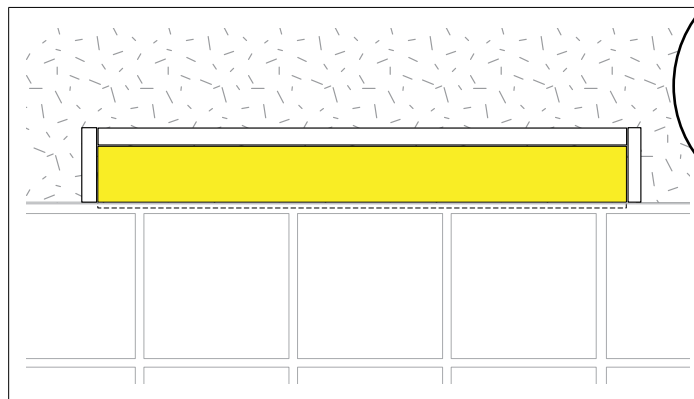
e.g. DMF/TB15
Drywall Mud Flange to TB15

DRYWALL/WOOD



e.g. DTR/DTL
Trim to Trimless

DRYWALL/GRID

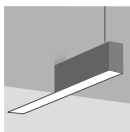


e.g. 1TG9/3DTR
1 long side TG9 and other
3 sides DTR

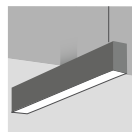
All drawings are for illustrative purposes only.

TRANSITION MOUNTING OPTIONS (consult factory for details)

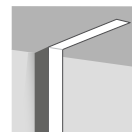
Mounting condition alters along the run of the fixture.



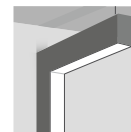
Recessed to Pendant



Surface to Pendant



Surface to Recessed in corner



Surface to Pendant in corner

VIA 2 RECESSED

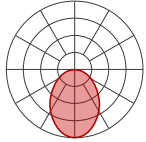


DIRECT
CHROMAWERX - SOLA, DUO

Photometrics

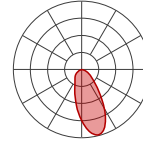
Values calculated based on a 4' fixture at 3500K for all optics.

HLO (Flush lens)



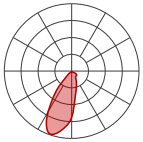
LM/FT	W/FT	LM/W
200	1.6	124
350	2.9	120
500	4.3	117
750	6.8	111
1000	9.4	106
1200	11.8	102

ARO2



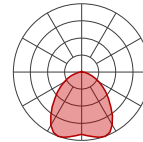
LM/FT	W/FT	LM/W
200	1.7	119
350	3.0	116
500	4.4	113
750	7.0	107
1000	9.7	103
1200	12.1	99

WRO2



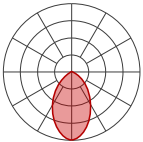
LM/FT	W/FT	LM/W
200	1.7	119
350	3.0	116
500	4.4	112
750	7.0	107
1000	9.8	102
1200	12.2	99

WDO



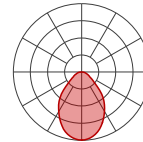
LM/FT	W/FT	LM/W
200	1.9	107
350	3.4	104
500	5.0	101
750	7.8	96
1000	11.0	91

LGO



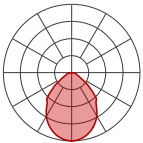
LM/FT	W/FT	LM/W
200	2.1	94
350	3.8	91
500	5.7	88
750	9.1	83

MPO



LM/FT	W/FT	LM/W
200	1.8	111
350	3.2	108
500	4.7	106
750	7.3	102
1000	10.2	98

DDO



LM/FT	W/FT	LM/W
200	1.9	107
350	3.4	104
500	5.0	101
750	7.9	95
1000	10.9	92

MULTIPLIER TABLES

Use these tables to get results for different color temperatures and drop lenses for all photometric tables.

SOLA

CCT	WATTS	LPW
	80+ CRI / 90+ CRI	80+ CRI / 90+ CRI
3500K	1.00	1.00

DUO

CCT	WATTS	LPW
	80+ CRI / 90+ CRI	80+ CRI / 90+ CRI
2700K	1.05	0.95
6500K	1.00	1.00

Multiplier - Drop lens

DIRECT LENS	WATTS	LPW
Flush lens	1.00	1.00
Drop lens 0.5"	0.99	1.00
Drop lens 1.0"	0.95	1.05

VIA 2 RECESSED

DIRECT
CHROMAWERX - SOLA, DUO



Technical Specifications

OPTICS

High-Efficiency Lambertian Optic (HLO)

The High-Efficiency Lambertian Optic (HLO) uses matte white reflectors to distribute LED output across 0.075" acrylic shielding, providing up to 88% transmission and good obscuration. Available as a flush lens or as a drop lens, the HLO has a spacing criterion of 1.06.

Asymmetric Refractive Optic (ARO2)

The Asymmetric Refractive Optic (ARO2) uses a sophisticated reflector combined with a matte beam-shaping film to create a smooth, effective downward light component without shadows or hot spots. It provides directional Gaussian light distribution with peak intensity at 20° above nadir and a 55° Full Width at Half Maximum (FWHM) beam angle. Microstructure material applied to the snap-in lens provides the precise refractive power and visual comfort, while achieving a high luminous efficacy.

Wall Wash Refractive Optic (WRO2)

The Wall Wash Refractive Optic (WRO2) delivers smooth vertical illumination with a gentle gradient and soft visual cut-off. Its exacting configuration creates a strong downward light component without shadows or hot spots and provides light distribution with peak intensity at 21° above nadir. Microstructure material applied to the snap-in lens provides the precise refractive power and visual comfort, while achieving a high luminous efficacy.

Widespread Direct Optic (WDO)

The Widespread Direct Optic (WDO) is designed to distribute light far and wide. As such, it has an excellent luminous efficacy, a light span that is 40% farther than that of our traditional HLO, and it maximizes spacing distance while still creating a sense of uniformity. The lens snaps into place and utilizes nano prismatic optics to mask the diodes that are actually emitting the light.

Low-Glare Optic (LGO)

The Low-Glare Optic (LGO) is designed to cut off high-angled light and control glare. The carefully crafted lens refracts light downward through its center from which it then disperses into a wide conical distribution that negates any illumination at about 40°. The LGO provides the visual comfort of a louver in a smooth acrylic lens.

Micro-Prismatic Optic (MPO)

The Micro-Prismatic Optic (MPO) delivers high-efficiency, low-glare illumination with UGR <17. Its precision-engineered lens, composed of thousands of tiny prisms, diffuses light to reduce glare, producing a ceiling plane that reads smooth from a distance while revealing subtle texture up close. The result is balanced, efficient illumination with a refined architectural presence.

Domed Deglare Optic (DDO)

The Domed Deglare Optic (DDO) features a transparent, domed lens that delivers low-glare illumination and visual comfort with a refined textured presence on the ceiling plane.

LIGHT SOURCE

Custom linear array of alternating color temperature mid-flux LEDs are mounted directly to the housing for optimal thermal performance. For the DUO products, a color temperature range from 6500K-2700K is achievable with color points on or below the black body curve. For the SOLA products, a color temperature range from 3500K-2200K is controlled synchronously with intensity. Color consistency between fixtures is maintained to within 3 SDCM. All LEDs have been tested in accordance with IESNA LM-80-08 and the results have shown L80 lumen maintenance greater than 60,000 hours. Absolute product photometry is measured and presented in accordance with IESNA LM-79, unless otherwise indicated.

Chromawerx SOLA

It is a single-channel control that dims output while warming the color temperature in a pre-determined relationship. A simple analog control sends a common signal to dual output digital drivers, which are programmed to adjust a specially populated LED array to emulate the effect of dimming a filament source. Dimming range is programmable but the default option runs from 3500K at 100% of full power to 2200K at 5% of full power. CRI is maintained above 80 throughout the dimming range.

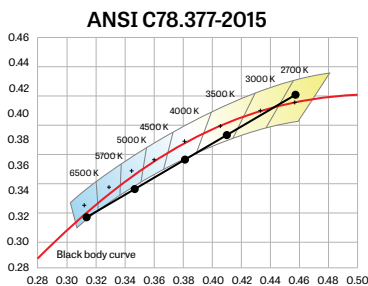
VIA 2 RECESSED



DIRECT
CHROMAWERX - SOLA, DUO

Chromawerx DUO

It is a two-channel control. It uses an analog (0-10V) protocol for separate control of luminaire CCT and intensity or a digital (DMX, DALI, and LD2) protocol for synchronous control of both warm and cool LED arrays to enable the user to set color temperature and light output. Commonly called "tunable white", Chromawerx two-channel control provides the range of cool (6500K) to warm (2700K) color that can be useful for helping to entrain circadian rhythms, stimulate alertness for improved educational and work productivity, and compensate for jet lag, among other applications. The Chromawerx drivers are programmed to limit maximum light output and power usage across all color temperatures. CRI is maintained above 80. When paired with DALI drivers (DDA/DDA8), color tuning follows a linear dimming curve.



LUMINAIRE LENGTH

Via 2 is available in standard lengths of 2' to 12' (up to 8' for MPO and DDO). Continuous runs are available for run lengths over 12' (8' for MPO and DDO). Exact run length must be noted in the product code. The minimum length is 2', or 4' for DMX. Lengths can be ordered in 1' and/or 1" increments. All individual sections are joined together onsite using the joiner kits provided. Lumenwerx offers joiner kits that are extremely simple to work with in the field and result in a fixture that appears virtually seamless with no light leak at any connection.

ELECTRICAL

SOLA

SD1

Factory-set, adjustable output current LED driver with universal (120-277 VAC) input. Using a single 0-10V control signal, the light output warms in color temperature as it dims down to 1% and 2200K. At maximum driver load, efficiency<86%, PF>0.9, THD<20%.

DUO

DMX

Factory-set adjustable output current electronic driver with 120-277 VAC line input. Using DMX wall controls (optionally supplied by Lumenwerx) or an existing DMX control system, both channels of LEDs are independently adjustable. Each DMX driver can be independently addressed using the built-in RDM (Remote Device Management) in the field. Dimming down to 1% is attainable. Rated life (90% survivorship) of 50,000 hours at 50°C maximum ambient temperature. At maximum driver load, efficiency<84%, PF>0.9, THD<20%.

DALI

Factory-set adjustable output current electronic driver with 120-277 VAC line input. Using an existing DALI control system (supplied by others), one control channel adjusts the fixture color temperature, and the other control channel adjusts fixture brightness. With DALI Type 6, two DALI addresses are required to control both channels. With DALI Type 8, one DALI address is required to control both channels. Dimming down to 1% is attainable. Rated life (90% survivorship) of 50,000 hours at 50°C maximum ambient temperature. At maximum driver load, efficiency<84%, PF>0.9, THD<20%.

DD1

Factory-set adjustable output current LED driver with universal (120-277 VAC) input. Controlled via two individual 0-10V signals, one for setting light output down to a minimum of 1% and the other for adjusting the CCT (default range of 6500K-2700K). Rated life of 50,000 hours at 70°C maximum driver case temperature and 100% load conditions. Typical efficiency of 86%, PF>0.9, THD<20% at 100% load conditions.

LD2

Lutron DALI-2 digital drivers provide a high-performance tunable white solution with single-address digital control. Guaranteed performance and compatibility when used with Lutron DALI-2 controls.

PoE

Depending on the PoE manufacturer selected, Lumenwerx will install the node in factory as either integral to the luminaire or as a remote module. Factory programming of the PoE node may or may not enable the following functionalities: lumen package, DUO (tunable white), QUADRO (RGBW), emergency battery backup, and sensor integration. These must be addressed and evaluated on a case-by-case basis.

MOUNTING

Recessed fixtures can be mounted into exposed or concealed T-bar or tegular ceiling, as well as in ceilings with trim, trimless, or mud flange options.

VIA 2 RECESSED



DIRECT
CHROMAWERX - SOLA, DUO

FINISH

Interior: 95%, reflective matte powder coated white paint
Exterior: Matte white or matte black powder coating. Custom finishes are also available.

CONSTRUCTION

Housing: Extruded aluminum, up to 90% recycled content
Interior brackets: Die-formed cold rolled sheet steel
Joining system: Die-cast zinc
Reflectors: Die-formed cold rolled steel, 95% reflective matte white painted
Lens: Acrylic
Drop lens: Extruded with glued end caps
Recessed flanges: Extruded aluminum, up to 90% recycled content
Mud flange: Extruded aluminum, up to 90% recycled content
Slip-through bracket: Die-formed galvanized sheet
End plate: Die-formed cold rolled sheet steel

WEIGHT

4': 9.03 lbs - 4.1 kg
8': 18.28 lbs - 8.3 kg
12': 27.97 lbs - 12.7 kg

CERTIFICATIONS

ETL: Rated for indoor dry/damp locations. Conforms to UL Standard 1598 and certified to CAN/CSA Standard C22.2 No. 250.0.
Chicago Plenum: City of Chicago Approved (CCEA) when specified with CP option.
IC rated: Suitable for direct contact with insulation
Declare: [LBC Red List Approved](#)

WARRANTY

Lumenwerx provides a five-year limited warranty on electrical and mechanical performance of the luminaires, including the LED boards, drivers, and auxiliary electronics. Lumenwerx will repair or replace defective luminaires or components at our discretion, provided they have been installed and operated in accordance with our specifications. Other limitations apply, please refer to the full warranty on our website.
Wall controllers are covered by the manufacturer warranty.

VIA 2 RECESSED



DIRECT
CHROMAWERX - SOLA, DUO

DUO DMX SPECIFICATION

A qualified DMX integrator is required to assure proper installation and commissioning of the DMX network. **When placing the PO, please provide the contact information of your DMX integrator.**

Please answer the following questions to help us identify your DMX network requirements.

YES

Do you require a wall controller provided by Lumenwerx?

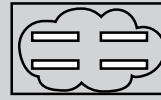
NO

DMX controller supplied by Lumenwerx

DMX control system supplied by others. Lumenwerx will supply DMX-enabled fixtures with default DMX addressing. See following pages for technical DMX informations. ✓

How many zones do you have?

A zone consists of one or more luminaires behaving identically.

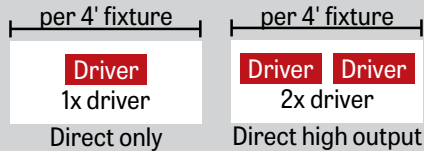


1 Zone



2 Zones

How to calculate the required number of drivers:



To Calculate # of drivers

1 - 4 Zones

5 or more Zones

Do you have more than 32 drivers in total?

NO

YES

Order a standard Lumenwerx wall controller.

WALL CONTROLLER

WCW - wall controller white
WCB - wall controller black

Add the control code at the end of your order code. Please provide a fixture layout or RCP (Reflected Ceiling Plan) showing the locations of the DMX fixtures, zones and the DMX wall controller. Refer to your DMX integrator for the installation. ✓

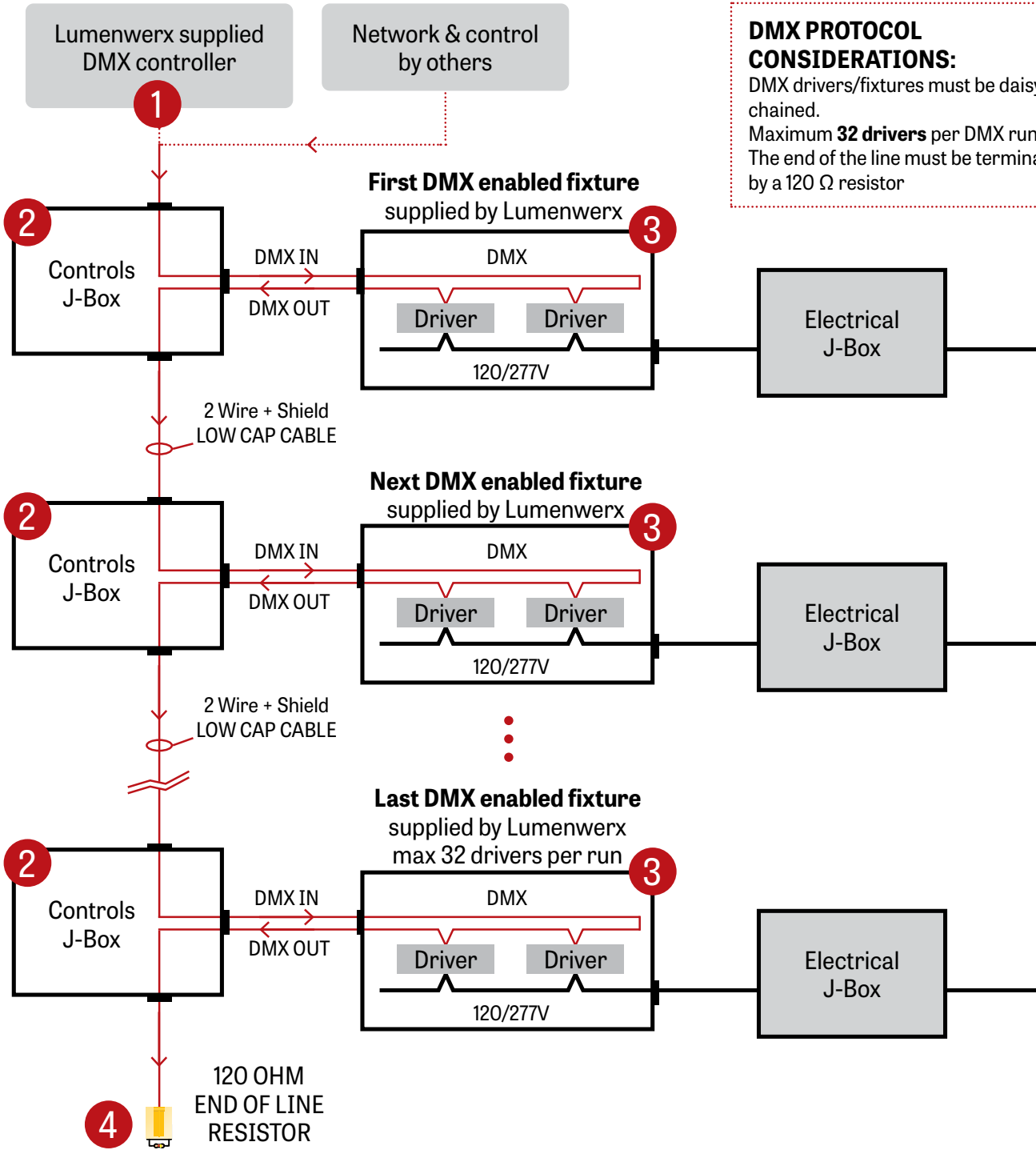
Subject to factory evaluation. Please contact our controls specialist at controls@lumenwerx.com. Additional cost and equipment will be required. ✓

Subject to factory evaluation and approval. Please contact our controls specialist at controls@lumenwerx.com. Additional cost and equipment will be required. ✓

VIA 2 RECESSED

DIRECT
CHROMAWERX - SOLA, DUO

GENERIC DMX NETWORK ARCHITECTURE



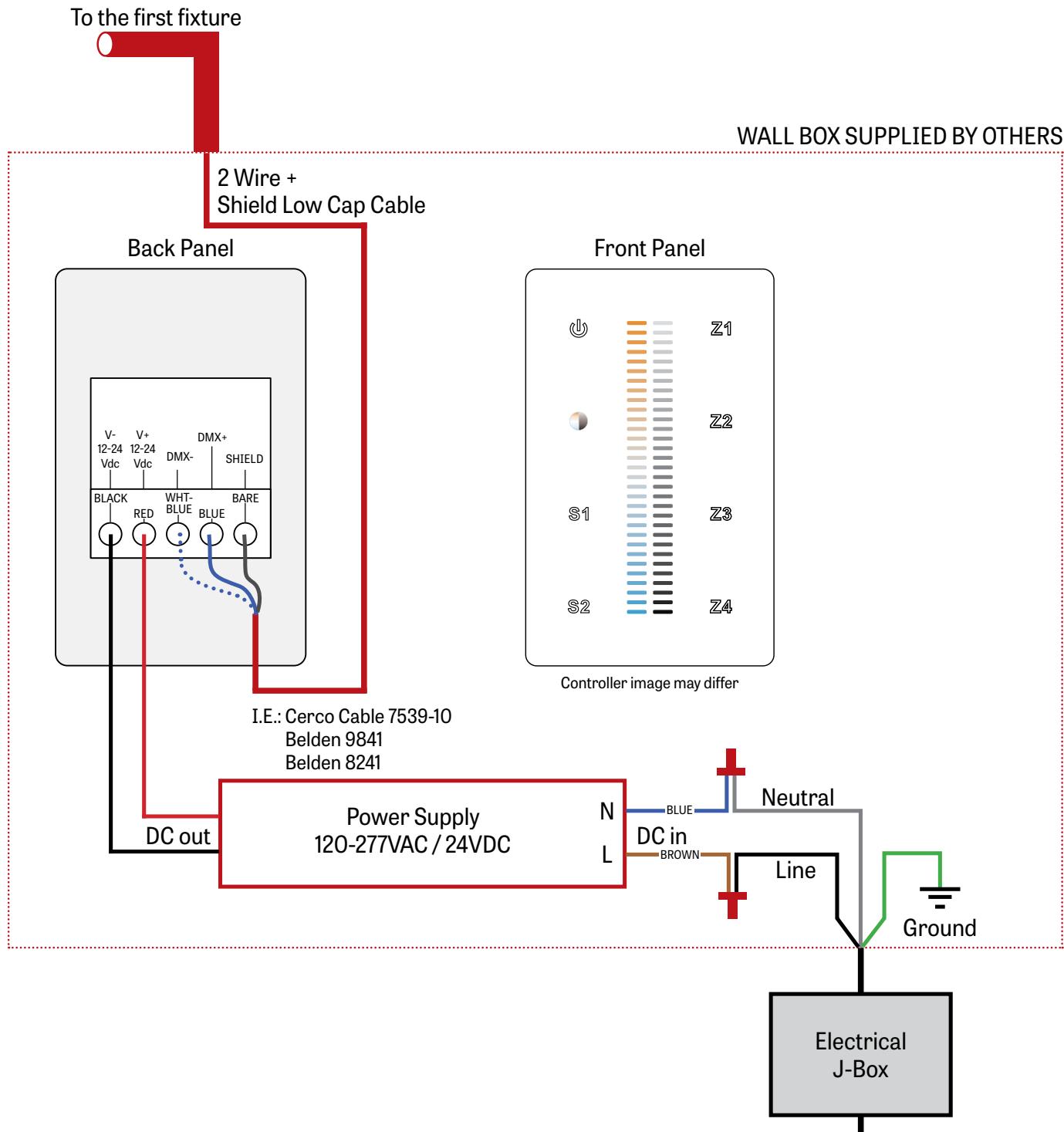
DMX PROTOCOL CONSIDERATIONS:
DMX drivers/fixtures must be daisy chained.
Maximum **32 drivers** per DMX run.
The end of the line must be terminated by a 120 Ω resistor

VIA 2 RECESSED



DIRECT
CHROMAWERX - SOLA, DUO

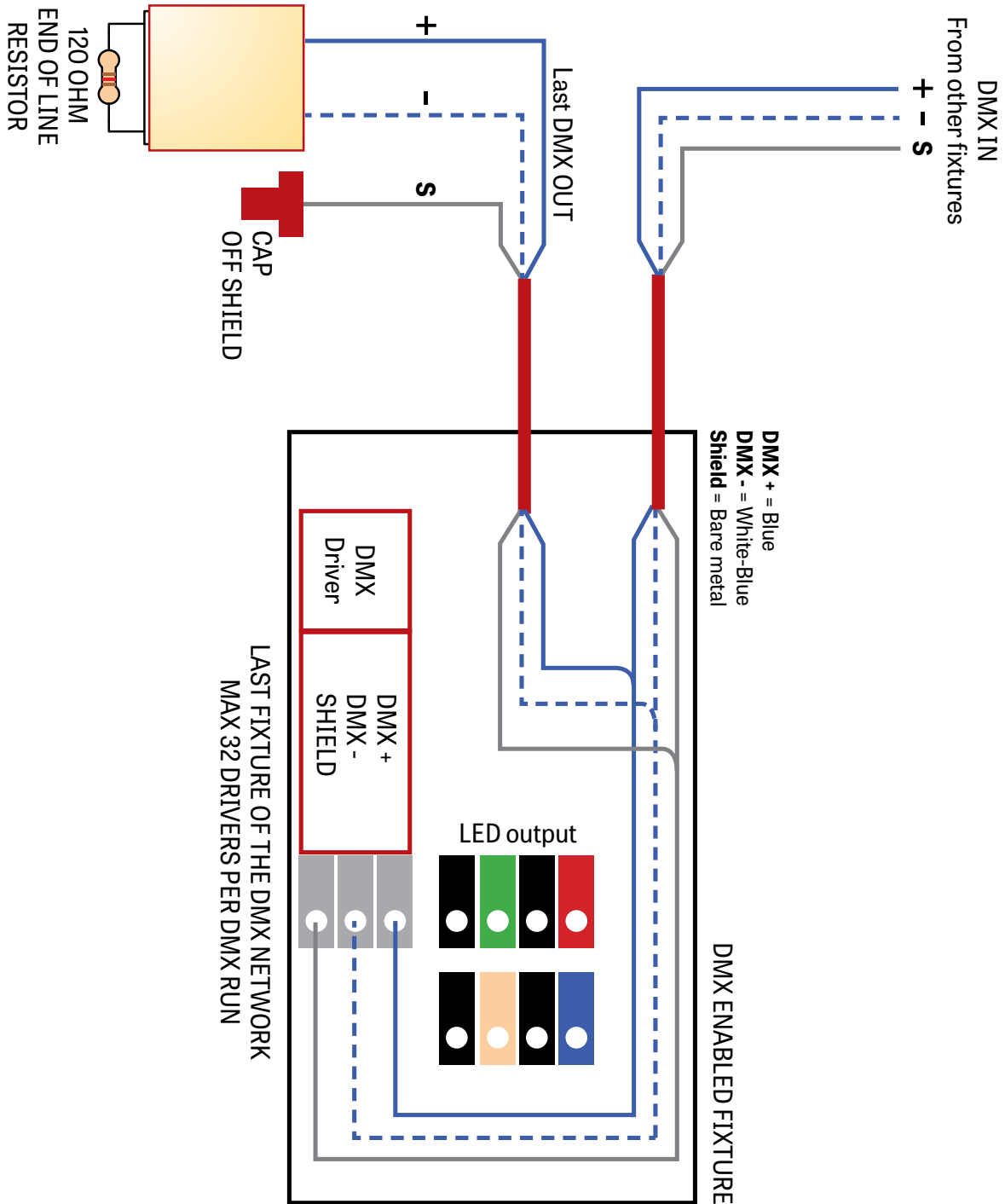
1 LUMENWERX SUPPLIED DMX CONTROLLER



VIA 2 RECESSED

DIRECT
CHROMAWERX - SOLA, DUO

4 DMX LAST FIXTURE DETAIL



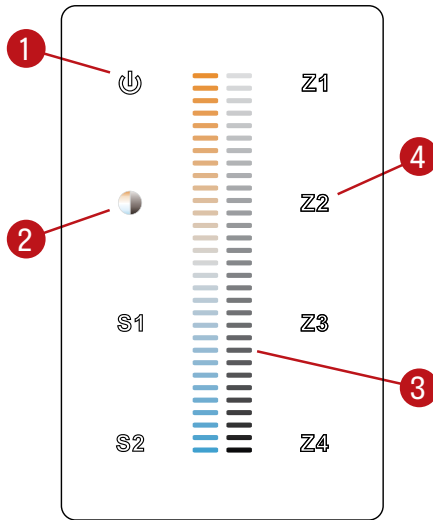
VIA 2 RECESSED



DIRECT
CHROMAWERX - SOLA, DUO

DMX WALL CONTROLLER

DUO 1-4 ZONE



- (1) Power: Use this button to turn ON or OFF the fixture.
- (2) Brightness/CCT: Use the color/brightness toggle button to choose between color/brightness. When Blue: brightness is selected, when Yellow: color is selected.
- (3) Slider: Depending on the mode chosen in step 2, the slider will allow the user to set desired color or brightness.
- (4) Zone select: Up to 4 zones can be selected either independently or together. Once selected, the commands will be sent to the zone identified by a Blue LED.

Default DMX Addresses:

- 1 Warm
- 2 Cool

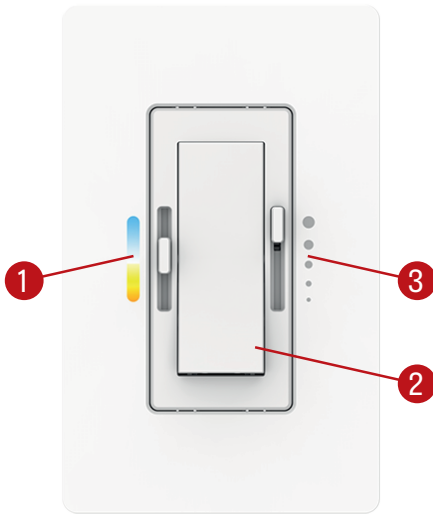
VIA 2 RECESSED



DIRECT
CHROMAWERX - SOLA, DUO

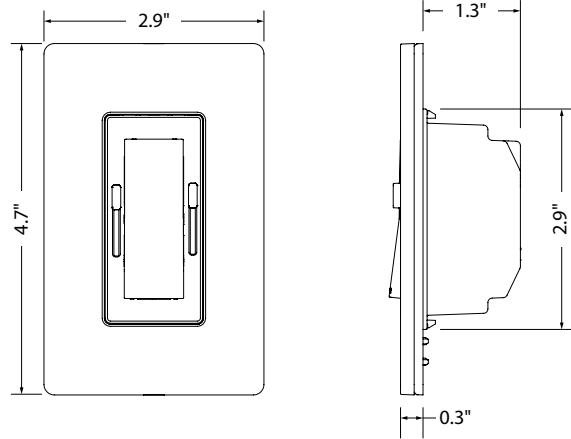
DUAL 0-10V WALL CONTROLLER

Front Panel



Controller image may differ

Dimensions



- (1) CCT control: Use this button to adjust the color temperature.
- (2) On/Off switch: Use this button to turn ON or OFF the fixture.
- (3) Dimming control: Use this button to adjust the brightness.

Wiring Diagram

