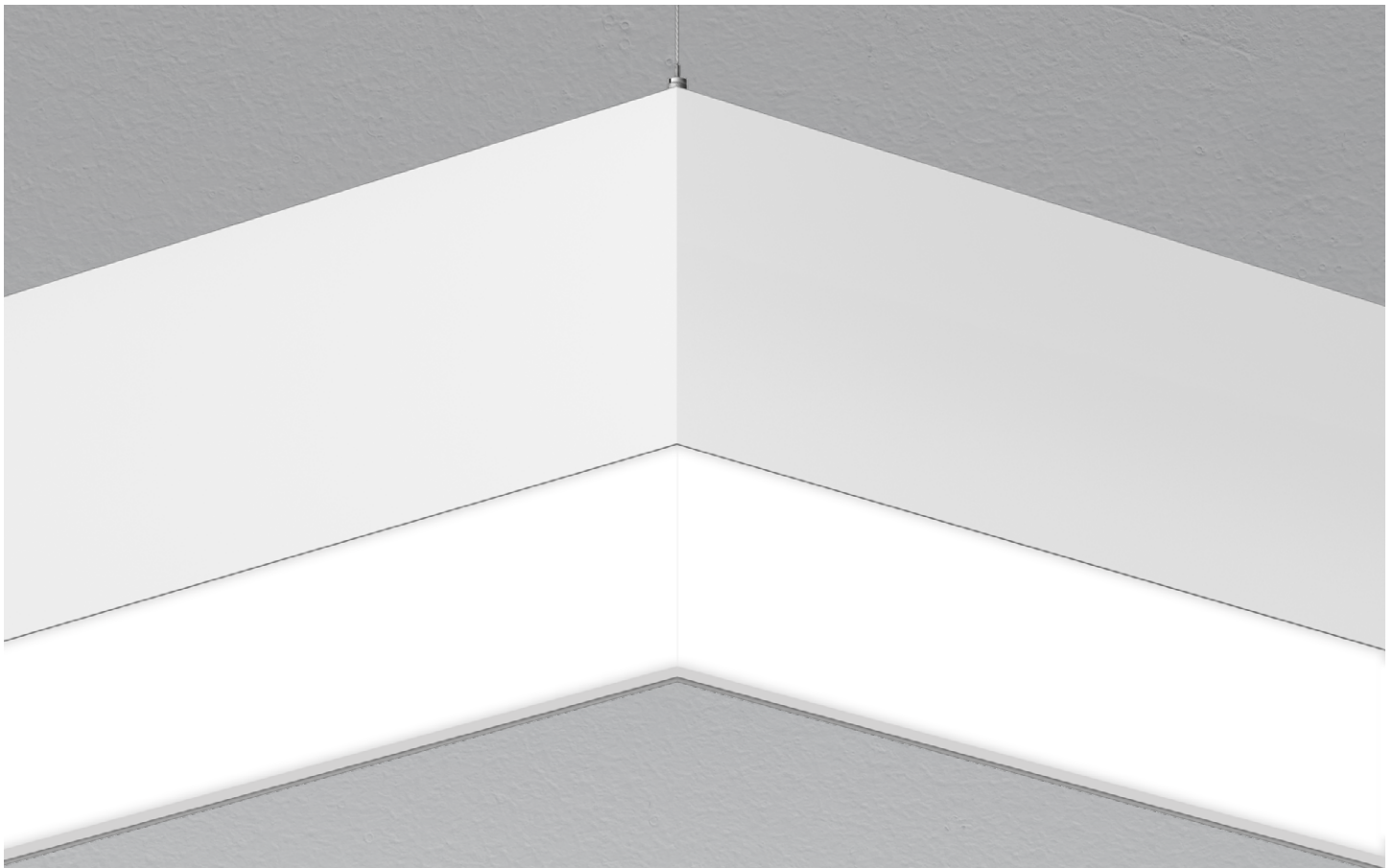


# VIA 4 PENDANT PATTERN

DIRECT/INDIRECT, DIRECT, INDIRECT  
CHROMAWERX - QUADRO - RGBW

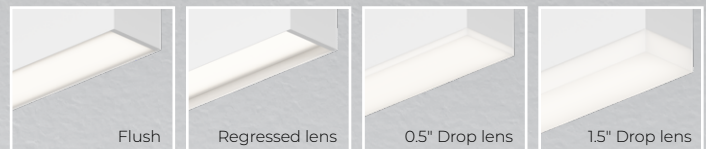


Declare.



Our elegant, flexible Via family is composed of linear, pendant, surface, recessed, and wall mounted luminaires. Each lighting fixture can be installed as a discrete luminaire or in continuous runs or patterns in which a combination of luminaires forms part of a custom design that can also incorporate less conventional acute and obtuse angles. Via 4 Pendant is offered with Lambertian, asymmetric, widespread, or wall wash optics.

## Lens Positions



## DIRECT



## INDIRECT



# VIA 4 PENDANT PATTERN



DIRECT/INDIRECT, DIRECT, INDIRECT  
CHROMAWERX - QUADRO - RGBW

Project: \_\_\_\_\_

Type: \_\_\_\_\_

## Order Guide

A drawing of your pattern is required - anything from a line drawing to an architectural drawing.

LUMINAIRE ID	DISTRIBUTION	DIRECT OPTIC Specify NA for Indirect fixture	LENS POSITION Specify NA for Indirect fixture	INDIRECT OPTIC Specify NA for Direct fixture	LIGHT SOURCE <sup>4</sup>	WHITE CRI Specify NA for solid colors
<b>VIA4PPAT</b>						
<b>VIA4PPAT</b> - Via 4" Pendant Pattern	<b>DI</b> - Direct/Indirect <b>D</b> - Direct <b>I</b> - Indirect	<b>HLO</b> - High-Efficiency Lambertian Optic <b>ARO2</b> - Asymmetric Refractive Optic <b>WRO2</b> - Wall Wash Refractive Optic <b>NA</b> - Not applicable	<b>FH</b> <sup>1</sup> - Flush <b>RG</b> <sup>1</sup> - Regressed <b>0.5D</b> <sup>1</sup> - 0.5" drop <b>1.5D</b> <sup>1</sup> - 1.5" drop <b>NA</b> <sup>1</sup> - Not applicable  <sup>1</sup> For HLO, specify FH, RG, 0.5D, or 1.5D. <sup>2</sup> For ARO2 and WRO2, specify FH. <sup>3</sup> For an Indirect fixture, specify NA.	<b>WIO2</b> - Widespread Indirect Optic <b>TIO</b> <sup>2</sup> - Translucent Indirect Optic <b>HLO</b> <sup>3</sup> - High-Efficiency Lambertian Optic <b>ARO2</b> <sup>3</sup> - Asymmetric Refractive Optic <b>NA</b> - Not applicable  <sup>2</sup> Available only with Direct/Indirect. <sup>3</sup> Not available with Direct/Indirect.	<b>QUADRO</b> - RGBW 4-channel control <b>RS</b> - Red solid <b>GS</b> - Green solid <b>BS</b> - Blue solid  <sup>4</sup> Static white, BIOS, Chromawerx SOLA, and DUO also available. Consult other spec sheets.	<b>80CRI</b> - 80+ CRI <b>90CRI</b> - 90+ CRI <b>NA</b> - Not applicable

WHITE COLOR TEMP. Specify NA for solid colors	DIRECT OUTPUT WATTAGE <sup>5</sup> Specify NA for Indirect fixture	INDIRECT OUTPUT WATTAGE <sup>7</sup> Specify NA for Direct fixture	PATTERN LENGTH	CORNER TYPE <sup>10</sup>
<b>27K</b> - 2700K <b>30K</b> - 3000K <b>35K</b> - 3500K <b>40K</b> - 4000K <b>50K</b> - 5000K <b>NA</b> - Not applicable	<b>HLO</b> <b>8WF</b> - 8 W/ft output <b>10WF</b> <sup>6</sup> - 10 W/ft output <b>12WF</b> <sup>6</sup> - 12 W/ft output  <b>ARO2</b> <b>WRO2</b> <b>5WF</b> - 5 W/ft output <b>7WF</b> <sup>6</sup> - 7 W/ft output  <b>NA</b> - Not applicable  <sup>5</sup> See page 4 for dedicated white channel lumen outputs. <sup>6</sup> Not available with solid colors.	<b>5WF</b> - 5 W/ft output <b>7WF</b> <sup>8</sup> - 7 W/ft output <b>NA</b> - Not applicable  <sup>7</sup> See page 4 for dedicated white channel lumen outputs. <sup>8</sup> Not available with solid colors.	<b>##FT##IN(##X##FT##IN-##X##FT##IN-...)</b> <sup>9</sup> -  <b>##FT##IN</b> : total nominal length of pattern in feet and/or inches <b>##X</b> : quantity of each section <b>##FT##IN</b> : nominal length of each section in feet and/or inches  Continuous runs: lengths over 12'  <sup>9</sup> Minimum length is 4'.	<b>#LEV2C(A##)</b> - 2-way leveled corner  <b>#LEV3C(A##)</b> <sup>11,12</sup> - 3-way leveled corner  <b>#LEV4C(A##)</b> <sup>11,12</sup> - 4-way leveled corner  <b>ANGLE (A##)</b> : <b>(A60)</b> <sup>12</sup> - 60° <b>(A90)</b> - 90° <b>(A120)</b> - 120° <b>(A##)</b> <sup>13</sup> - Custom  <sup>10</sup> Specify quantity (#) and angle (A##) for each required corner type. If more than one option is specified, separate codes with a "+", e.g. 1LEV2C(A90)+2LEV2C(A60). <sup>11</sup> Separate angles with a "+" if more than one type is required, e.g. 1LEV4C(A60+A120). <sup>12</sup> Not available with ARO2/WRO2. <sup>13</sup> Minimum angle is 45°. For ARO2/WRO2, minimum angle is 75°.

VOLTAGE	DRIVER <sup>14</sup>	ELECTRICAL	MOUNTING <sup>17</sup>	FINISH	OPTIONS <sup>18</sup>
<b>120V</b> - 120V <b>277V</b> - 277V <b>UNV</b> - 120V-277V	<b>QUADRO</b> <b>DMX</b> <sup>15,16</sup> - DMX  <b>Solid colors</b> <b>D1</b> - 1% 0-10V <b>DA</b> <sup>16</sup> - DALI  <sup>14</sup> PoE (Power-over-Ethernet) compatible. Consult factory for details. <sup>15</sup> For more information, see pages 8 to 13. <sup>16</sup> On-site commissioning is required.	<b>1C</b>  <b>1C</b> - 1 circuit	<b>ACS</b> - Aircraft cable, standard <b>ACC()</b> - Aircraft cable, custom  <sup>17</sup> Standard canopies are black for black fixtures, and white for all other finishes. See page 3 for full details on standard and custom options.	<b>W</b> - Matte white <b>AL</b> - Aluminum <b>B</b> - Matte black <b>CF#</b> - Custom finish, specify RAL#	<b>FU120</b> - Fuse 120V <b>FU277</b> - Fuse 277V <b>CTB9</b> - T-bar caddy clip, 9/16" <b>CTB15</b> - T-bar caddy clip, 15/16" <b>CTG9</b> - Tegular caddy clip, 9/16" <b>CTG15</b> - Tegular caddy clip, 15/16" <b>CST</b> - Screw slot caddy clip <b>NA</b> - None  <sup>18</sup> Separate codes with a "+" if more than one is specified.

## Accessories

Optional, order separately

### DMX WALL CONTROLLER <sup>19,20</sup>

**WC1W##FT** - Single zone wall controller white  
**WC1B##FT** - Single zone wall controller black  
**WC2W##FT** - 3 zone wall controller white  
**WC2B##FT** - 3 zone wall controller black

<sup>19</sup> Specify wire length (##) in feet.

<sup>20</sup> Available with DMX only. For more information, see pages 8 to 13, or consult factory.

3737 Cote Vertu St-Laurent, Quebec, Canada H4R 2C9  
T (514) 225-4304 F (514) 931-4862

www.lumenwerx.com



Lumenwerx reserves the right to modify product specifications without notification.  
© Lumenwerx, ULC. All rights reserved.  
VIA4-RGBW-PENDANT-PAT-SPEC-REV3



March 11, 2026

# VIA 4 PENDANT PATTERN



DIRECT/INDIRECT, DIRECT, INDIRECT  
CHROMAWERX - QUADRO - RGBW

## Pendant Mounting Code

### Aircraft Cable

#### Standard

##### ACS - Aircraft cable, standard

- Ø 5" for power canopy
- Ø 3" for non-power canopy
- Canopies are black for black fixtures, and white for all other fixture finishes
- Power cord is black for black fixtures, and white for all other fixture finishes
- Aircraft cable length is 36"

#### Custom

Example: ACC(3NPC-72IN-W-PCB-NA)

##### ACC( ) - Aircraft cable, custom

NON-POWER CANOPY SIZE	AIRCRAFT CABLE LENGTH	CANOPY FINISH	POWER CORD COLOR	OPTION
<b>3NPC</b> - Ø 3" non-power canopy <b>5NPC</b> - Ø 5" non-power canopy	<b>36IN</b> - 36" <b>72IN</b> - 72" <b>120IN</b> - 120" <b>#IN</b> <sup>1</sup> - Other lengths, specify in inches	<b>W</b> - Matte white <b>AL</b> - Aluminum <b>B</b> - Matte black <b>CF#</b> - Custom finish, specify RAL#	<b>PCW</b> - White <b>PCB</b> - Black	<b>SEM</b> <sup>2</sup> - Seismic mounting <b>SLC</b> <sup>2</sup> - Sloped ceiling for aircraft cable <b>NA</b> - None

<sup>1</sup>Maximum length is 288". For longer lengths, please consult factory.

<sup>2</sup>Not available with the Ø 3" non-power canopy size.

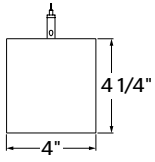
# VIA 4 PENDANT PATTERN



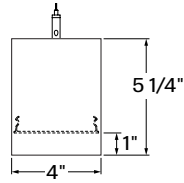
DIRECT/INDIRECT, DIRECT, INDIRECT  
CHROMAWERX - QUADRO - RGBW

## Dimensions

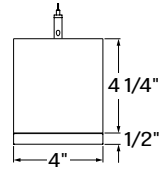
Flush Lens



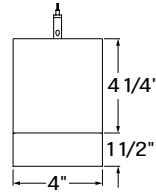
Regressed Lens <sup>1</sup>



0.5" Drop Lens <sup>1</sup>



1.5" Drop Lens <sup>1</sup>



<sup>1</sup> Only available with HLO direct lens.

## Photometrics

Dedicated white channel lumen outputs are calculated with only white light on, and based on a 4' fixture at 3500K for all optics.

### DIRECT OPTICS

OPTIC	W/FT	LM/FT
HLO-FH	8	325
	10	400
	12	500
HLO-RG	8	225
	10	300
	12	350
HLO-0.5D	8	325
	10	400
	12	500
HLO-1.5D	8	325
	10	400
	12	500
ARO2	5	225
	7	300
WRO2	5	225
	7	300

### INDIRECT OPTICS

OPTIC	W/FT	LM/FT
WIO2	5	250
	7	350
TIO	5	225
	7	325
HLO	5	350
	7	500
ARO2	5	225
	7	300

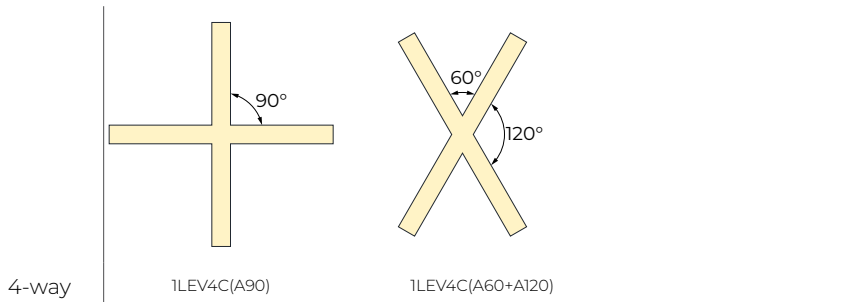
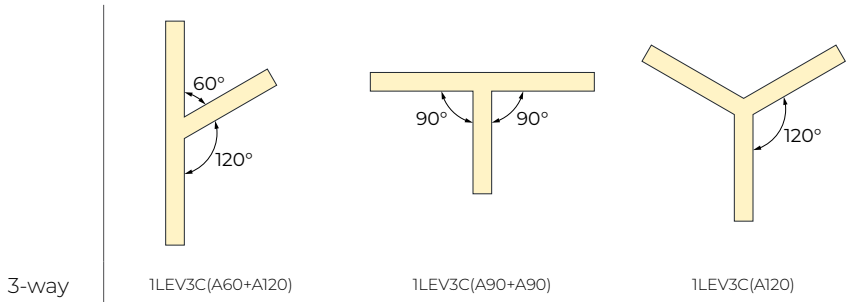
# VIA 4 PENDANT PATTERN

DIRECT/INDIRECT, DIRECT, INDIRECT  
CHROMAWERX - QUADRO - RGBW

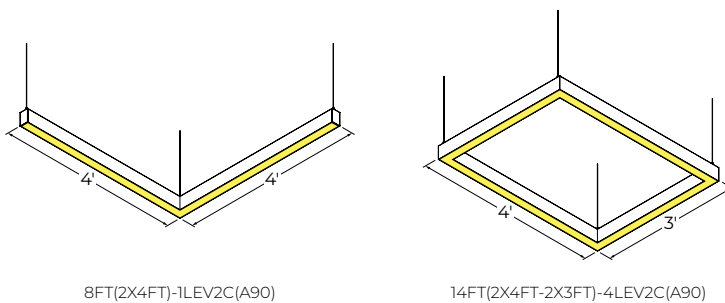
## Pattern Layout

### CORNER TYPES

#### LEVELED CORNERS



### EXAMPLES



# VIA 4 PENDANT PATTERN



DIRECT/INDIRECT, DIRECT, INDIRECT  
CHROMAWERX - QUADRO - RGBW

## Technical Specifications

### DIRECT OPTICS

#### High-Efficiency Lambertian Optic (HLO)

The High-Efficiency Lambertian Optic (HLO) uses matte white reflectors to distribute LED output across 0.075" acrylic shielding, providing up to 88% transmission and good obscuration. Available with different lens position options, HLO has a spacing criterion of 1.16.

#### Asymmetric Refractive Optic (ARO2)

The Asymmetric Refractive Optic (ARO2) uses a sophisticated reflector combined with a matte beam-shaping film to create a smooth, effective downward light component without shadows or hot spots. It provides directional Gaussian light distribution with peak intensity at 20° above nadir and a 55° Full Width at Half Maximum (FWHM) beam angle. Microstructure material applied to the snap-in lens provides the precise refractive power and visual comfort, while achieving a high luminous efficacy.

#### Wall Wash Refractive Optic (WRO2)

The Wall Wash Refractive Optic (WRO2) delivers smooth vertical illumination with a gentle gradient and soft visual cut-off. Its exacting configuration creates a strong downward light component without shadows or hot spots and provides light distribution with peak intensity at 21° above nadir. Microstructure material applied to the snap-in lens provides the precise refractive power and visual comfort, while achieving a high luminous efficacy.

### INDIRECT OPTICS

#### Widespread Indirect Optic (WIO2)

The Widespread Indirect Optic (WIO2) is a horizontal LED array with a widespread indirect micro prismatic optic that offers an impressive 160° spread. WIO2 creates an even illumination for smooth brightness on the ceiling that can achieve uniformity ratios of up to 2:1.

#### Uniformity [max/min]

Based on 18' continuous runs, in a 20' x 40' room, 10' wall height

Mounting height from ceiling	Spacing (Center to center)		
	8'	10'	12'
12"	5.5	10.0	9.0
18"	3.5	6.0	6.0
24"	2.5	4.0	4.5

#### Translucent Indirect Optic (TIO)

The Translucent Indirect Optic (TIO) is composed of a horizontal LED array that has a translucent lens to mask pixilation from the diodes. TIO has a 100° spread in the indirect that is ideal when the fixture is mounted farther away from the ceiling.

#### High-Efficiency Lambertian Optic (HLO)

The High-Efficiency Lambertian Optic (HLO) uses matte white reflectors to distribute LED output across 0.075" acrylic shielding, providing up to 88% transmission and good obscuration. HLO has a spacing criterion of 1.16.

#### Asymmetric Refractive Optic (ARO2)

The Asymmetric Refractive Optic (ARO2) uses a sophisticated reflector combined with a matte beam-shaping film to create a smooth, effective downward light component without shadows or hot spots. It provides directional Gaussian light distribution with peak intensity at 20° above nadir and a 55° Full Width at Half Maximum (FWHM) beam angle. Microstructure material applied to the snap-in lens provides the precise refractive power and visual comfort, while achieving a high luminous efficacy.

### LIGHT SOURCE

Custom linear array of mid-flux LEDs, comprised of an alternation of an RGB and a dedicated white LED. The white LED is used for when a static white CCT is required in the space. RGB LEDs are tightly binned for excellent color control between fixtures. The white LEDs have been tested in accordance with IESNA LM-80-08 and the results have shown L80 lumen maintenance greater than 60,000 hours. Absolute product photometry is measured and presented in accordance with IESNA LM-79, unless otherwise indicated.

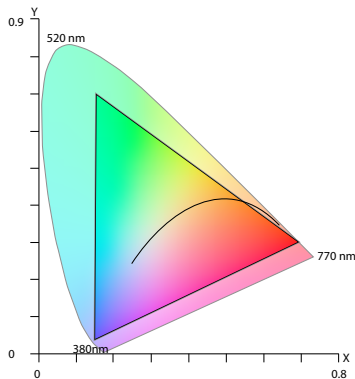
### Chromawerx QUADRO

Chromawerx QUADRO is a four-channel control that operates an RGBW LED array and addresses the need for more expressive color in architectural applications. The DMX driver supports familiar programming tools for both dynamic multi-hued color and precise white color point control. While a typical user interface will be a DMX controller by others, Lumenwerx also offers a simple control station for stand-alone color changing applications.

# VIA 4 PENDANT PATTERN



DIRECT/INDIRECT, DIRECT, INDIRECT  
CHROMAWERX - QUADRO - RGBW



The above diagram overlays the full gamut of colors attainable with the RGBW on top of the CIE 1931 color space. Any color point inside of the triangle can be obtained by setting the correct output levels for each of the individual red, green, blue, and white channels.

## PATTERN LENGTH

All individual sections are joined together onsite using the joiner kits provided. Lumenwerx offers joiner kits that are extremely simple to work with in the field and result in a fixture that appears virtually seamless with no light leak at any connection.

## ELECTRICAL

### DMX

Factory-set, adjustable output current, multi-channel LED driver with universal (120-277 VAC) input. Using DMX wall controls (optionally supplied by Lumenwerx) or an existing DMX control system, four channels of LEDs (Red/Green/Blue/White) are independently adjustable. Each DMX driver has multiple output channels that can be independently addressed at the factory or on-site using built-in RDM (Remote Device Management) functionality. Dimming range from 100%-0%. At maximum driver load, efficiency<89%, PF>0.9, THD<20%.

### PoE

Depending on the PoE manufacturer selected, Lumenwerx will install the node in factory as either integral to the luminaire or as a remote module. Factory programming of the PoE node may or may not enable the following functionalities: lumen package, DUO (tunable white), QUADRO (RGBW), emergency battery backup, and sensor integration. These must be addressed and evaluated on a case-by-case basis.

## MOUNTING

Pendant fixtures can be mounted with aircraft cable. See page 3 for details.

## FINISH

**Interior:** 95% reflective matte powder coated white paint

**Exterior:** Matte white, matte black or aluminum powder coating. Custom finishes are also available.

## CONSTRUCTION

**Housing:** Extruded aluminum, up to 90% recycled content

**Interior brackets:** Die-formed cold rolled sheet steel

**Joining system:** Die-cast zinc

**Reflectors:** Die-formed cold rolled steel, 95% reflective matte white painted

**Lens:** Acrylic

**Drop lens:** Extruded with glued end caps

**End caps:** Die-cast aluminum

**Hanger:** Chromed griplock securely attached in end caps and/or joiners with stainless steel hardware

**Aircraft cable suspension:** Ø 1/16" stainless steel aircraft cable

## CERTIFICATIONS

**ETL:** Rated for indoor dry/damp locations. Conforms to UL Standard 1598 and certified to CAN/CSA Standard C22.2 No. 250.0.

**Declare:** [LBC Red List Approved](#)

## WARRANTY

Lumenwerx provides a five-year limited warranty on electrical and mechanical performance of the luminaires, including the LED boards, drivers, and auxiliary electronics. Lumenwerx will repair or replace defective luminaires or components at our discretion, provided they have been installed and operated in accordance with our specifications. Other limitations apply, please refer to the full warranty on our website.

Wall controllers are covered by the manufacturer warranty.

# VIA 4 PENDANT PATTERN



DIRECT/INDIRECT, DIRECT, INDIRECT  
CHROMAWERX - QUADRO - RGBW

## QUADRO DMX SPECIFICATION

A qualified DMX integrator is required to assure proper installation and commissioning of the DMX network. **When placing the PO, please provide the contact information of your DMX integrator.**

Please answer the following questions to help us identify your DMX network requirements.

YES

Do you require a wall controller provided by Lumenwerx?

NO

DMX controller supplied by Lumenwerx

DMX control system supplied by others. Lumenwerx will supply DMX-enabled fixtures with default DMX addressing. See following pages for technical DMX informations. ✓

**How many zones do you have?**

A zone consists of one or more luminaires behaving identically.



1 Zone



2 Zones

**How to calculate the required number of drivers:**

per 4' fixture  
  
 Driver  
 1x driver  
 Less than 12.5W/ft, direct only

per 4' fixture  
  
 Driver Driver  
 2x driver  
 Above 12.5W/ft or for all direct/indirect fixture

To Calculate # of drivers

1 Zone

2 to 3 Zones

4 or more Zones

Do you have more than 32 drivers in total?

NO

YES

Order a standard Lumenwerx wall controller type 1.

### WALL CONTROLLER

**WC1W** - Single zone wall controller white  
**WC1B** - Single zone wall controller black

Add the control code at the end of your order code.

Please provide a fixture layout or RCP (Reflected Ceiling Plan) showing the locations of the DMX fixtures, zones and the DMX wall controller.

Refer to your DMX integrator for the installation. ✓

Subject to factory evaluation. Please contact our controls specialist at [controls@lumenwerx.com](mailto:controls@lumenwerx.com). Additional cost and equipment will be required. ✓

NO

YES

Order a standard Lumenwerx wall controller type 2.

### WALL CONTROLLER

**WC2W** - 3 zone wall controller white  
**WC2B** - 3 zone wall controller black

Add the control code at the end of your order code.

Please provide a fixture layout or RCP (Reflected Ceiling Plan) showing the locations of the DMX fixtures, zones and the DMX wall controller.

Refer to your DMX integrator for the installation. ✓

Subject to factory evaluation. Please contact our controls specialist at [controls@lumenwerx.com](mailto:controls@lumenwerx.com). Additional cost and equipment will be required. ✓

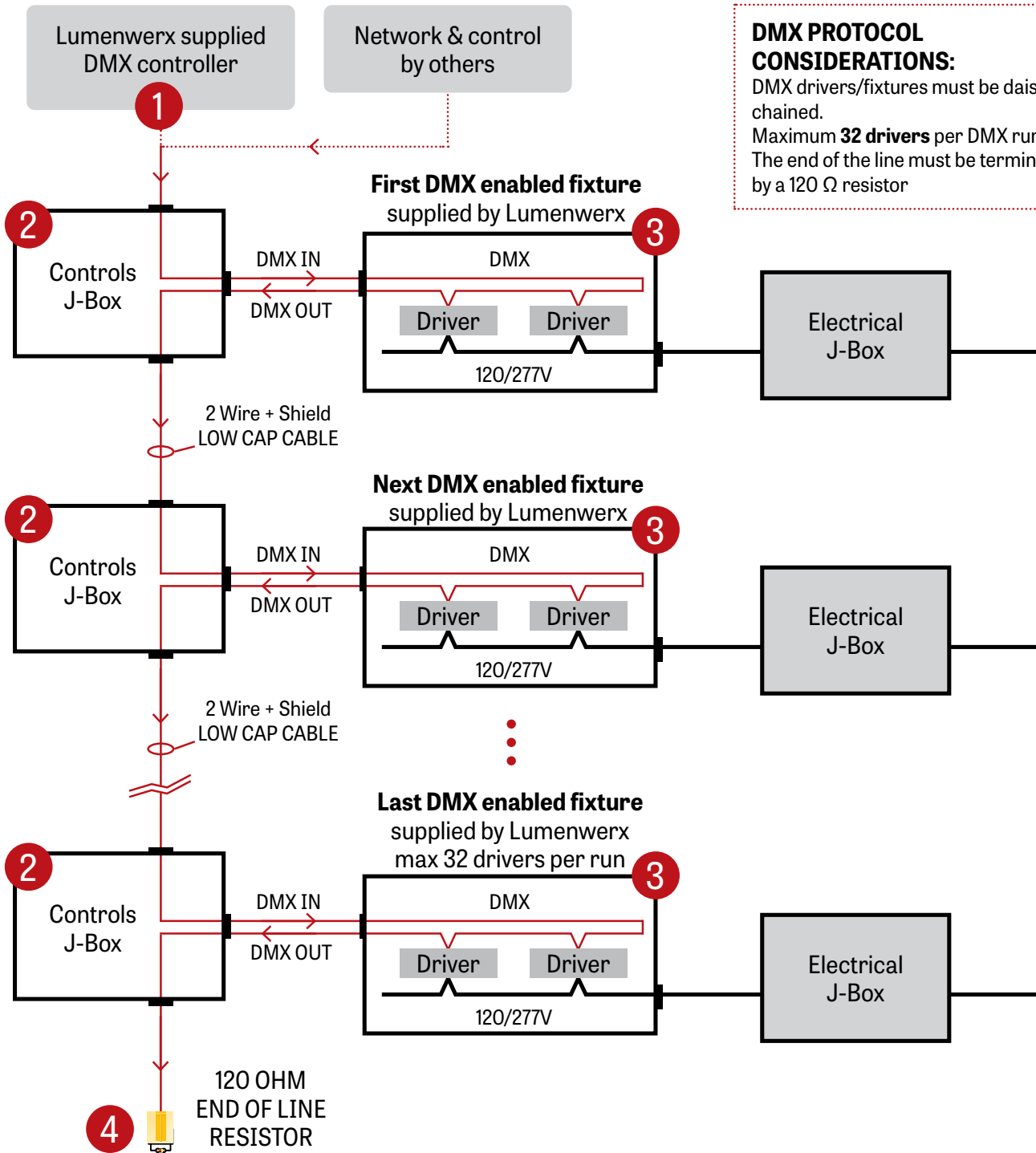
Subject to factory evaluation and approval. Please contact our controls specialist at [controls@lumenwerx.com](mailto:controls@lumenwerx.com). Additional cost and equipment will be required. ✓

# VIA 4 PENDANT PATTERN

DIRECT/INDIRECT, DIRECT, INDIRECT  
CHROMAWERX - QUADRO - RGBW



## GENERIC DMX NETWORK ARCHITECTURE



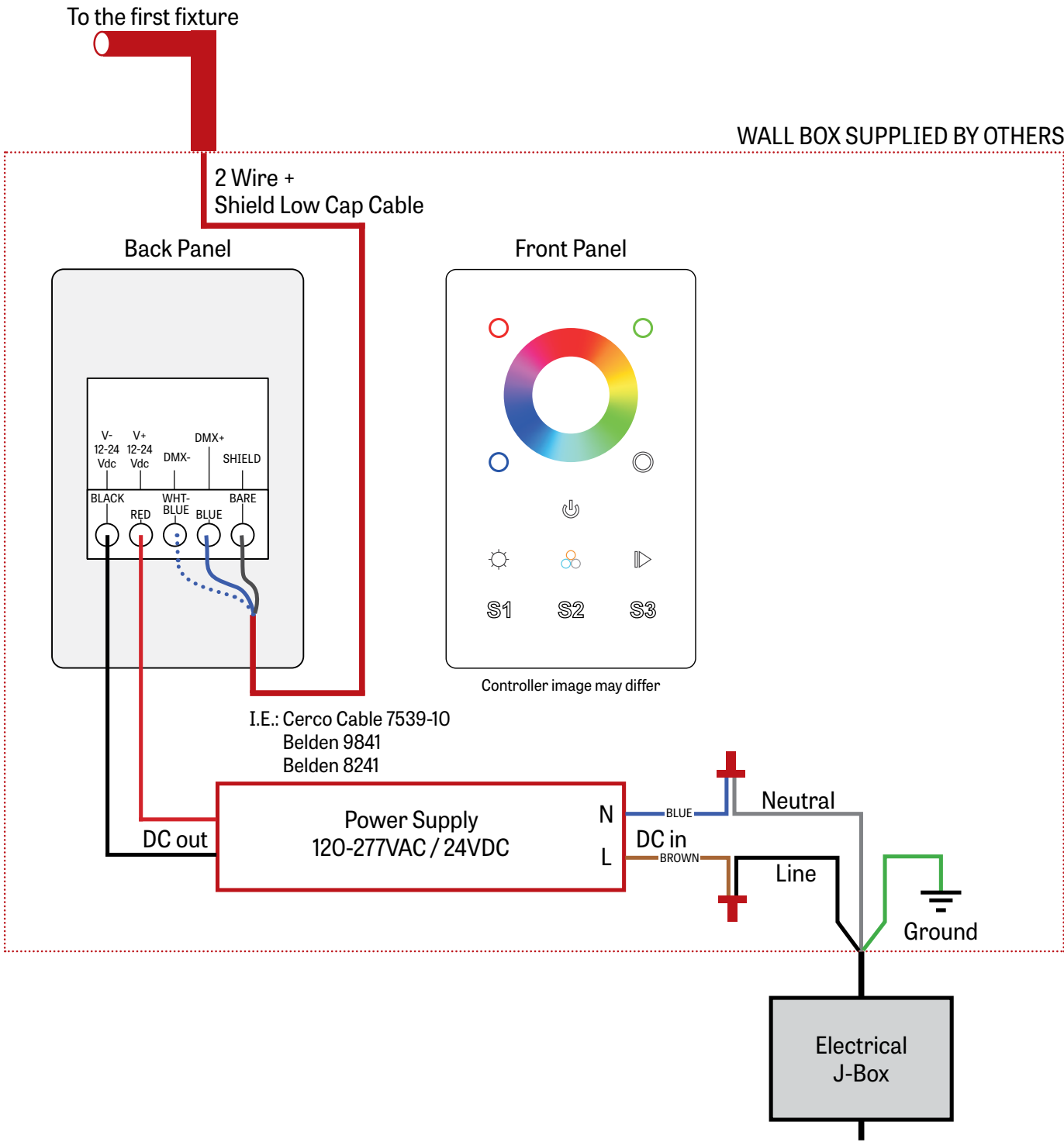
### DMX PROTOCOL CONSIDERATIONS:

DMX drivers/fixtures must be daisy chained.  
Maximum **32 drivers** per DMX run.  
The end of the line must be terminated by a 120 Ω resistor

# VIA 4 PENDANT PATTERN

DIRECT/INDIRECT, DIRECT, INDIRECT  
CHROMAWERX - QUADRO - RGBW

## 1 LUMENWERX SUPPLIED DMX CONTROLLER

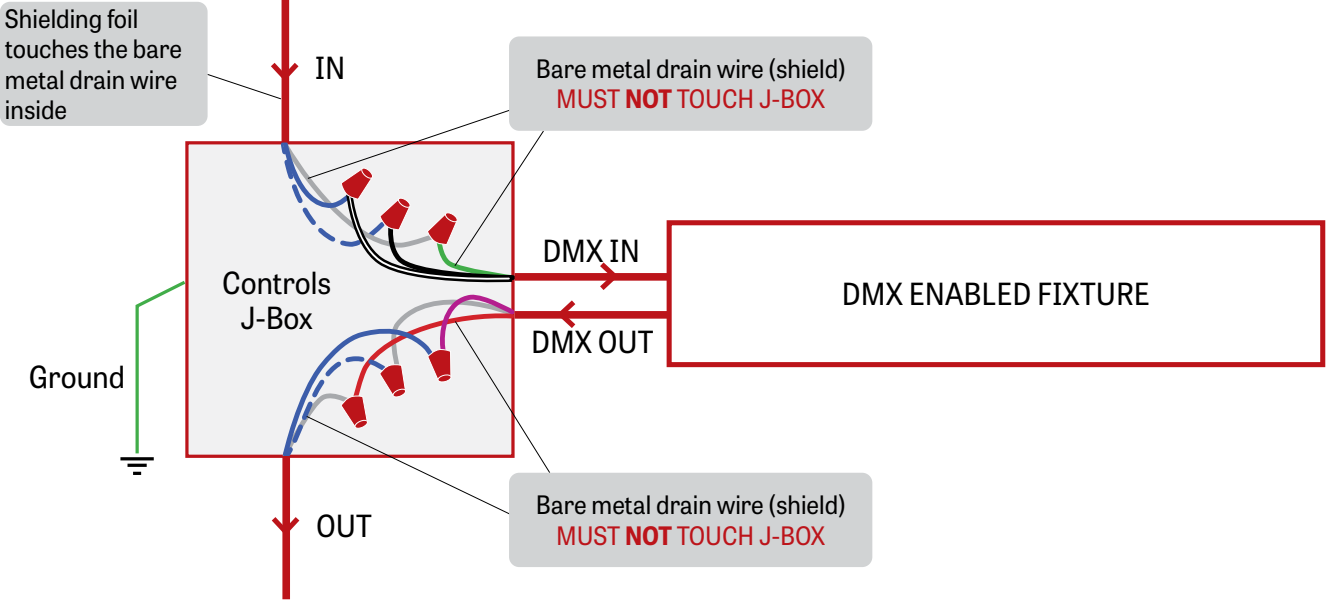


# VIA 4 PENDANT PATTERN

DIRECT/INDIRECT, DIRECT, INDIRECT  
CHROMAWERX - QUADRO - RGBW

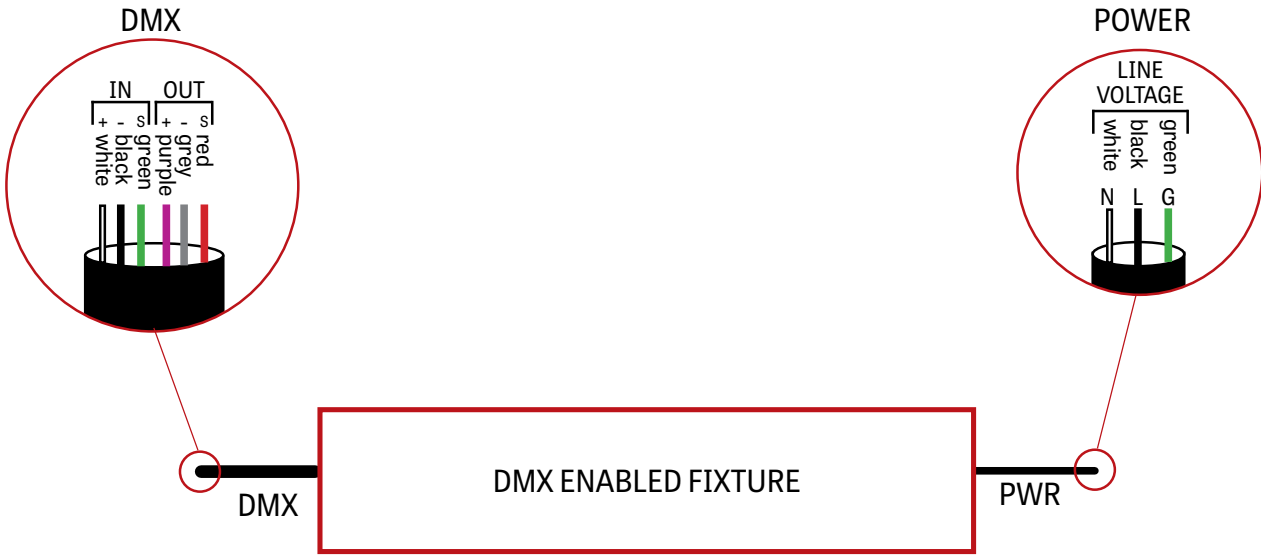
## 2 J-BOX DMX DAISY CHAIN DETAIL

Low capacitance DMX cable from previous fixture



Low capacitance DMX cable to next fixture

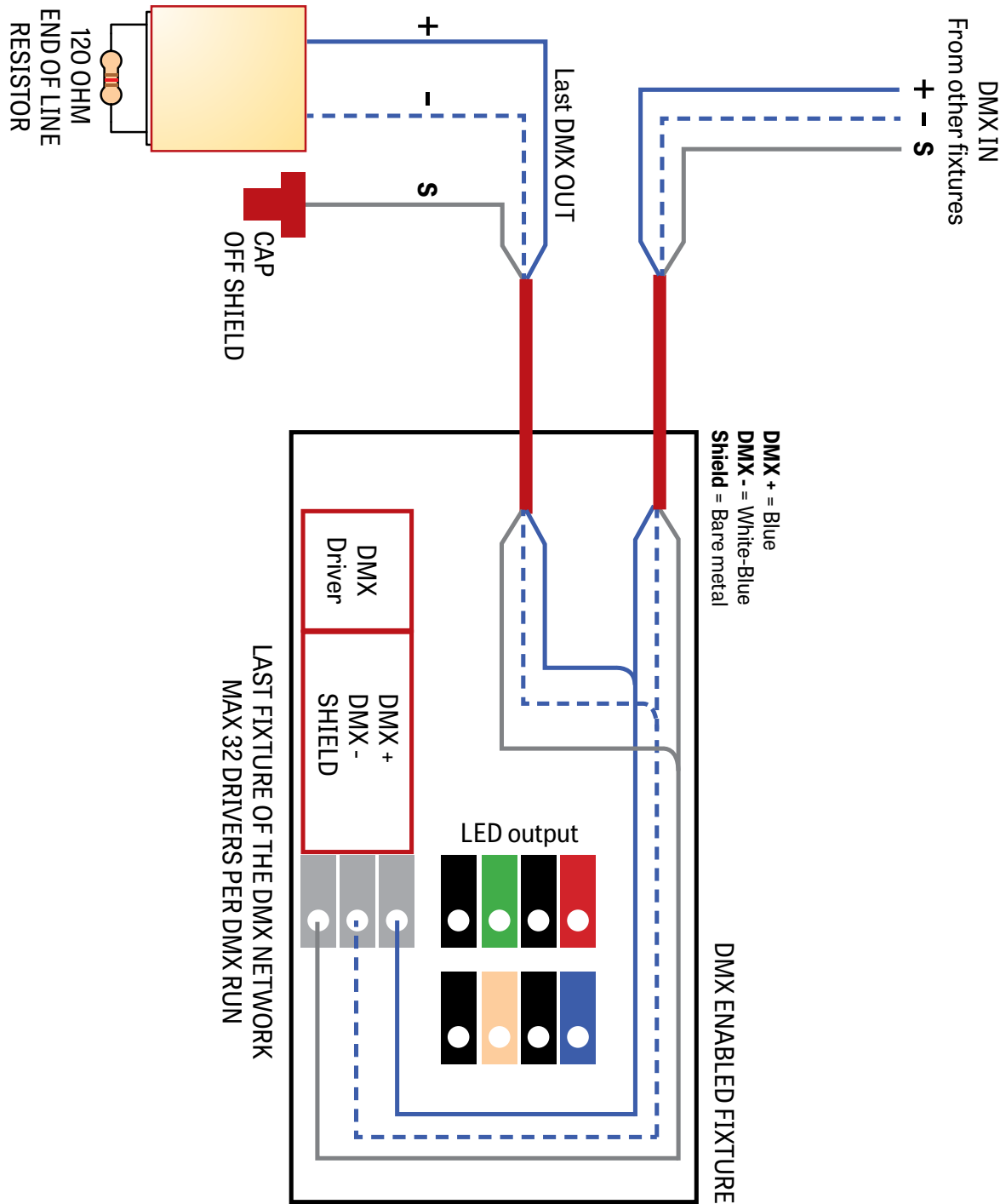
## 3 DMX CONNECTION PENDANT & WALL



# VIA 4 PENDANT PATTERN

DIRECT/INDIRECT, DIRECT, INDIRECT  
CHROMAWERX - QUADRO - RGBW

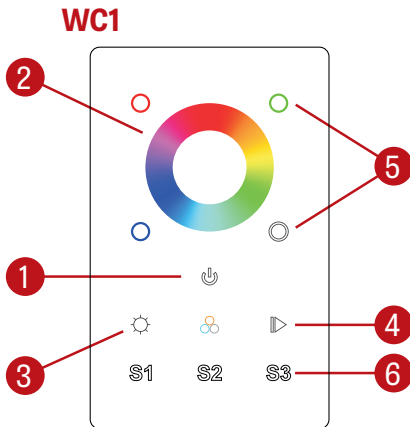
## 4 DMX LAST FIXTURE DETAIL



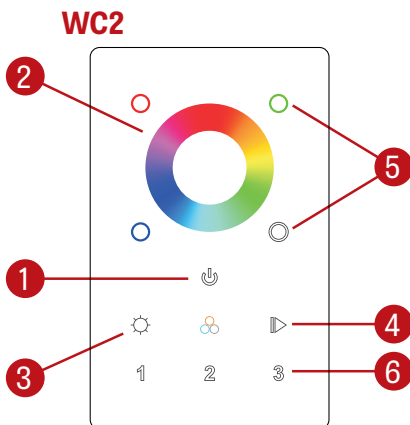
# VIA 4 PENDANT PATTERN

DIRECT/INDIRECT, DIRECT, INDIRECT  
CHROMAWERX - QUADRO - RGBW

## DMX WALL CONTROLLER



- (1) Power: Use this button to turn ON or OFF the RGBW fixture.
- (2) Color Wheel: The wheel is used to rapidly select a color (RGB colors only).
- (3) Brightness (RGB): Hold down this button to either increase or decrease the brightness of the current RGB selection. White will not be affected by the RGB brightness button.
- (4) Color Cycle: This button will start an animation, rotating between Reds Greens and Blues, the arrows allow the user to speed up or slow down the animation.
- (5) Individual Colors: By pressing and holding a color it will be possible to brighten or dim it. Quickly pressing a color will turn it OFF or turn it ON to its previous dim level.  
White: In order to activate or deactivate and dim the White channel, the White button needs to be used.
- (6) Scenes: By holding down one of the scenes button, the current color selection is saved. It can be later accessed by quickly pressing on one of the Scene buttons.



- (1) Power: Use this button to turn ON or OFF the RGBW fixture.
- (2) Color Wheel: The wheel is used to rapidly select a color (RGB colors only).
- (3) Brightness: Hold down this button to either increase or decrease the brightness of the current RGB selection. White will not be affected by the RGB brightness button.
- (4) Color Cycle: This button will start an animation, rotating between Reds Greens and Blues, the arrows allow the user to speed up or slow down the animation.
- (5) Individual Colors: By pressing a color it will be possible to brighten or dim that specific color.  
White: In order to activate or deactivate and dim the White channel, the White button needs to be used.
- (6) Zone: By holding down one of the zone buttons, a zone can be selected and controlled.

### Default DMX Addresses:

- 1 Red
- 2 Green
- 3 Blue
- 4 White