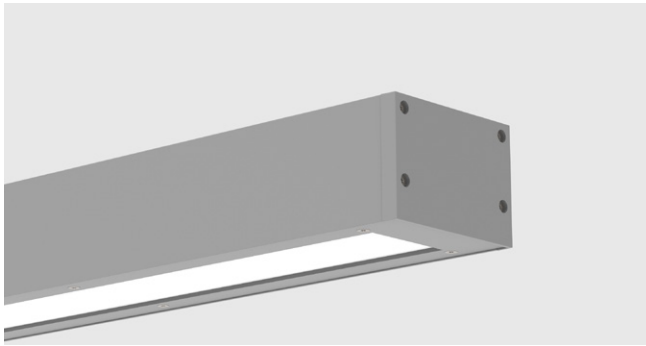


VIA SPLASH

WALL ASYMMETRIC
DIRECT
STATIC WHITE

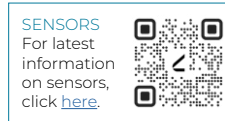


Project: _____
Type: _____



DESCRIPTION

Via Splash, with its IP66 rating, offers architectural lighting for demanding, wet locations in both exterior and interior applications. The simple 3½" by 5" housing of extruded aluminum is available in lengths up to 12'. In addition to recessed mounting, Via Splash can be installed in ceiling, wall, or pendant applications. Via Splash is suitable for temperatures from -20°C/-4°F to 40°C/104°F.



Up to 106 lm/W performance

Order Guide

LUMINAIRE ID	DISTRIBUTION	PROTECTIVE OPTIC	OPTIC	LIGHT SOURCE	CRI	LUMEN PACKAGE
VSPLASYW	D		HLO	SW		
VSPLASYW - Via Splash Asymmetric Wall	D - Direct	TMG - Tempered Clear Glass PYC ¹ - Clear Polycarbonate ¹ IK10 rated with PYC option only.	HLO - High-Efficiency Lambertian Optic	SW - Static white	80CRI - 80+ CRI 90CRI - 90+ CRI	500LMF - Low output 500 lm/ft 750LMF - High output 750 lm/ft

COLOR TEMP.	LUMINAIRE LENGTH	VOLTAGE	DRIVER ³	ELECTRICAL
27K - 2700K 30K - 3000K 35K - 3500K 40K - 4000K 50K - 5000K	#FT - Specify nominal length (#) in 1' increments Standard nominal lengths: Single units: 2' to 12' Continuous runs: lengths over 12'	120V - 120V 277V - 277V UNV - 120V-277V 347V ² - 347V ² Only available with DI driver.	D1 - 1% 0-10V DA ⁴ - DALI LTD10 ⁵ - Low-temperature 10% 0-10V ³ PoE (Power-over-Ethernet) compatible. Consult factory for details. ⁴ On-site commissioning is required. ⁵ Suitable for temperatures down to -40°C/F.	1C - 1 circuit MC ⁶ - Multi circuit EC - Emergency-powered fixture NL - Night light fixture DL - Daylight fixture GTD ^{7,8,9} - Generator transfer device fixture ⁶ Specify total number of circuits (#), including any circuits required for electrical section options. Provide drawing or layout specifications. Minimum 4' section per circuit. ⁷ Minimum 4' fixture. ⁸ Not available with 347V. ⁹ Not available for environments where the ambient temperature falls below 0°C (32°F).

ELECTRICAL SECTIONS (optional) ^{10, 11}	POWER FEED	MOUNTING	FINISH
#EC## ¹² - Emergency-powered section #NL## ¹² - Night light section #DL## ¹² - Daylight section #CTD## ^{12, 13, 14, 15} - Generator transfer device section NA - None ¹⁰ Specify with multi circuit (#MC) electrical option only. ¹¹ Provide drawing or layout specifications. Consult factory for other configurations. Default section length is 4'. ¹² Specify quantity (#), and section length in inches (##). ¹³ Minimum 4' section. ¹⁴ Not available with 347V. ¹⁵ Not available for environments where the ambient temperature falls below 0°C (32°F).	EF - End feed BF - Back feed	HMB HMB - Horizontal mounting bracket	W - Matte white AL - Aluminum B - Matte black CF# - Custom finish, specify RAL#

VIA SPLASH

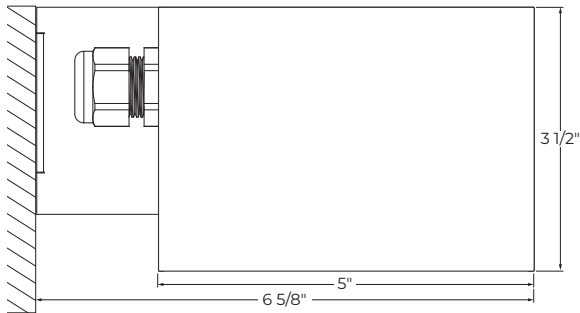
WALL ASYMMETRIC

DIRECT

STATIC WHITE



Dimensions



VSPLASYW

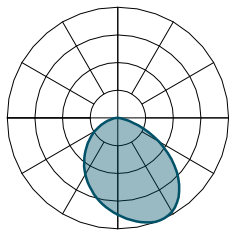
OPTIC AND PROTECTIVE OPTIC



TMG + HLO - Tempered Clear Glass with High-Efficiency Lambertian Optic

Photometrics

Values calculated based on a 4' fixture at 3500K and 80+ CRI, and apply to all optics and protective optics.



LM/FT	W/FT	LM/W
500	4.7	106
750	7.4	101

MULTIPLIER TABLE

Use the table to get results for different color temperatures and CRI for all photometric tables.

Multiplier - CCT/CRI

CCT	WATTS		LPW	
	80+ CRI	90+ CRI	80+ CRI	90+ CRI
2700K	1.05	1.27	0.95	0.79
3000K	1.02	1.23	0.98	0.81
3500K	1.00	1.19	1.00	0.84
4000K	1.00	1.19	1.00	0.84
5000K	0.96	1.12	1.04	0.89

VIA SPLASH

WALL ASYMMETRIC

DIRECT

STATIC WHITE

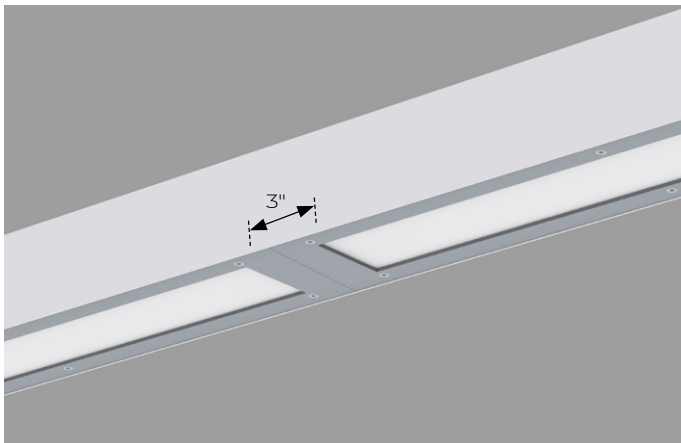


Technical Specifications

OPTICS AND PROTECTIVE OPTICS

The asymmetric optic is die-formed aluminum with three reflecting facets. A high-reflectance, matte finish provides good optical efficiency without LED imaging. Via Splash is available with a clear tempered glass (TMG) or a clear, UV stabilized polycarbonate (PVC) protective enclosure, which is installed outside of the luminaire optic itself. The High-Efficiency Lambertian Optic (HLO) option uses a diffuser that combines 88% transmission with good source obscuration. Via Splash optics and protective enclosures are provided in lengths up to 4'. A 12' housing, for example, contains three optic/enclosure elements; a bridge between each element assures IP66 protection.

Bridge: Provides secure IP66 seal between 4' enclosure/optic elements in longer housings.



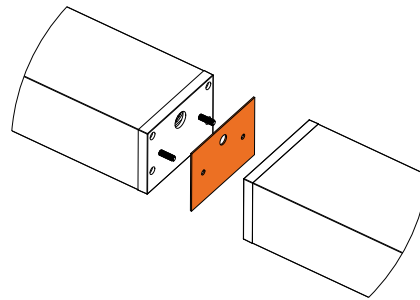
LIGHT SOURCE

Custom linear array of mid-flux LEDs are cartridge-mounted with quick-connect wiring to facilitate service and thermal management. Available in 2700K, 3000K, 3500K, 4000K and 5000K with a minimum 80+ CRI and an option for 90+ CRI with elevated R9 value. Color consistency maintained to within 3 SDCM. LEDs operate at reduced drive current to optimize efficacy and lumen maintenance. All LEDs have been tested in accordance with IESNA LM-80-08 and the results have shown L80 lumen maintenance greater than 60,000 hours. Absolute product photometry is measured and presented in accordance with IESNA LM-79, unless otherwise indicated.

LUMINAIRE LENGTH

Via Splash is made up of standard sections from 2' to 12' with a bridge between the multiple optic/enclosure elements in sections over 4'.

Joining system



Individual sections can be joined cleanly and securely for continuous runs in all configurations. Sections are joined together onsite using the 1/4"-20 screws and nuts provided. The joint between adjacent individual sections is sealed by a silicone gasket. The electrical connection between sections is made through the holes provided in the end-caps.

LUMINAIRE MAINTENANCE

LED arrays and drivers are accessible through the optical chamber and easily replaced. The luminaire can be washed down with strong jets of water.

ELECTRICAL

Factory-set, adjustable output current LED driver with universal (120-277 VAC) input. Dimmable from 100% to 1% with 0-10V dimming control. Rated life (90% survivorship) of 50,000 hours at -20°C min. and 40°C max. ambient (and 70°C max. case) temperature. At maximum driver load: Efficiency > 84%, PF > 0.9, THD < 20%. DALI protocol drivers are also available. Power grommet for cable diameter between 0.276" and 0.512" (7-13mm). All of our standard 0-10V drivers are NEMA 410 compliant. An optional low-temperature 10% 0-10V driver, suitable for temperatures down to -40°C/F is also available.

PoE

Depending on the PoE manufacturer selected, Lumenwerx will install the node in factory as either integral to the luminaire, or as a remote module. Factory programming of the PoE node may or may not enable the following functionalities: lumen package, DUO (tunable white), QUADRO (RGBW), emergency battery backup, and sensor integration. These must be addressed and evaluated on a case-by-case basis.

VIA SPLASH

WALL ASYMMETRIC

DIRECT

STATIC WHITE



ELECTRICAL SECTION OPTIONS

Electrical section options are available for fixtures specified as multi circuit (#MC). With MC, specify the total number of circuits (#), including any circuits required for optional electrical sections. A drawing is required to specify the layout. Please consult factory for custom configurations.

Electrical sections

Options include emergency-powered (#EC##), night light (#NL##), daylight (#DL##), and generator transfer device (#GTD##) sections. Specify the quantity (#), as well as the section length in inches (##).

Example 1: A 32' Direct fixture with two 8' emergency-powered sections on a second circuit.

Code: 2MC-2EC96

Example 2: A 24' Direct fixture with one 4' generator transfer device section.

Code: 1MC-1GTD48

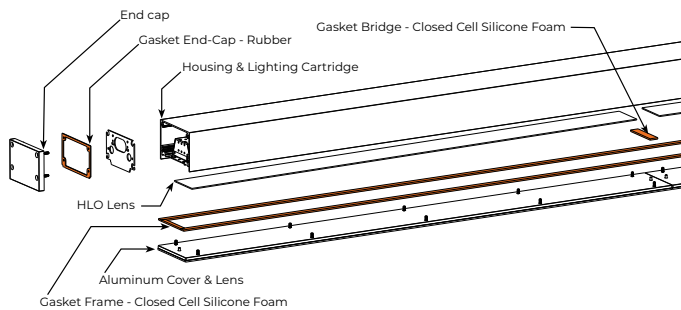
Generator Transfer Device (GTD)

A UL924 listed shunt relay that can bypass both line voltage (120-277V) and 0-10V dimming signal. Suited for ambient temperatures of 0°C (32°F) to 60°C (140°F).

MOUNTING

Fixtures may be horizontally mounted to the wall using a bracket. For long runs, a minimum of 6" from adjacent walls is required.

GASKETED FIXTURE OVERVIEW



Lens and enclosure are sealed with inner and outer silicone gaskets

FINISH

Interior: 95%, reflective matte powder coated white paint

Exterior: Matte white, matte black or aluminum powder coating. Custom finishes are also available.

CONSTRUCTION

Housing: Extruded aluminum, up to 90% recycled content

Metal visible frame: Aluminum plate

Interior brackets: Die-formed cold rolled steel

Joining system: 2 x ¼"-20 screws + nuts accessible from inside the fixture + one silicone gasket attached to one of the end caps

Reflectors: Flat rolled aluminum, precisely die-formed, 95% reflective matte white painted

End caps: Die-cast aluminum

Tempered Clear Glass: Clear, fully tempered optics

Clear Polycarbonate: UV protected optics

Gaskets: Fixture lens unit and end caps are fully sealed using silicone gaskets

Power grommet: EPDM rubber rated IP67

WEIGHT

4': 18.72 lbs - 8.5 Kg

8': 37.44 lbs - 17 Kg

12': 56.16 lbs - 25.5 Kg

CERTIFICATIONS

ETL: Rated for Wet location. Conforms to UL Standard 1598 and certified to CAN/CSA Standard C22.2 No. 250.0.

IP66 rated: Dust tight + protected against powerful jetting.

IK10: Impact resistance rated to IK10 with the PYC optic option.

WARRANTY

Lumenwerx provides a five-year limited warranty on electrical and mechanical performance of the luminaires, including the LED boards, drivers, and auxiliary electronics. Lumenwerx will repair or replace defective luminaires or components at our discretion, provided they have been installed and operated in accordance with our specifications. Other limitations apply, please refer to the full warranty on our website.