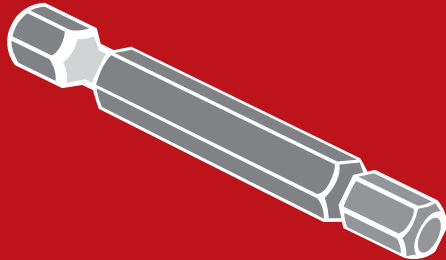
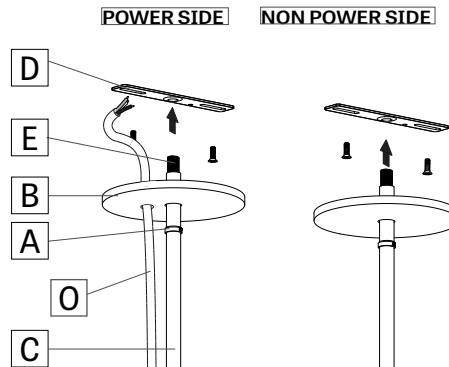


NOTE 1: Wire dimming conductors as Class



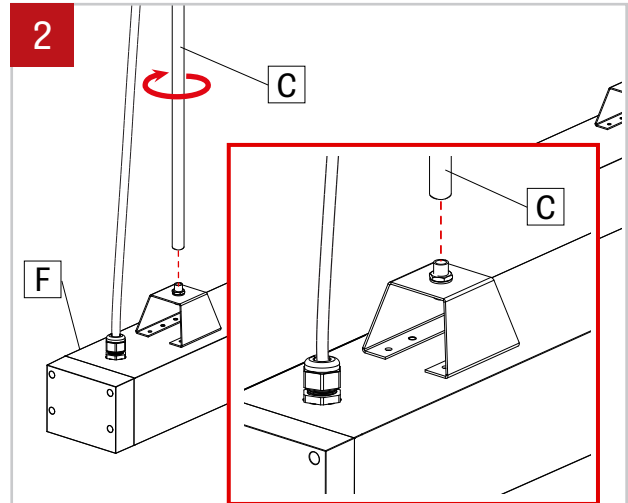
Tamper-resistan hex bit, 1/4" is REQUIRED to perform the installation.

1 SINGLE FIXTURE



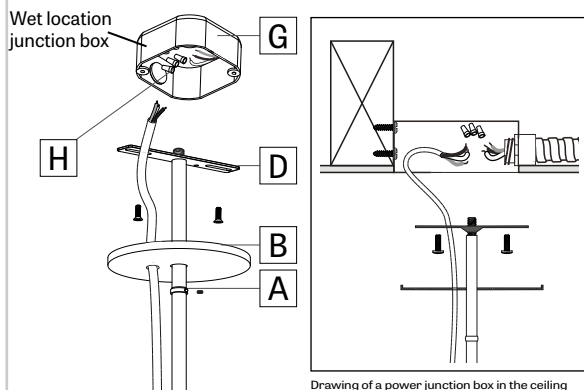
Make sure that the power to the fixture is turned off. Slide the slip ring (A) and the canopy (B) onto the stem (C) and leave some space. Screw the junction box crossbar (D) with the threaded rods (E) onto the stem (C). Wet-location power-cord is supplied by us (O).

2



Screw the stems (C) onto the nipple at the ends of the fixture (F).

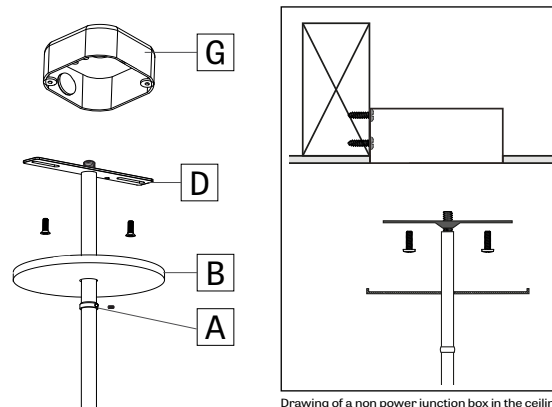
3 POWER SIDE



Drawings of a power junction box in the ceiling

Raise the fixture and tighten the junction box crossbar (D) with screws to the junction box (G). Make wire connection with wire connectors (H). Then slide the canopy (B) and thighten the set up with the slip ring (A).

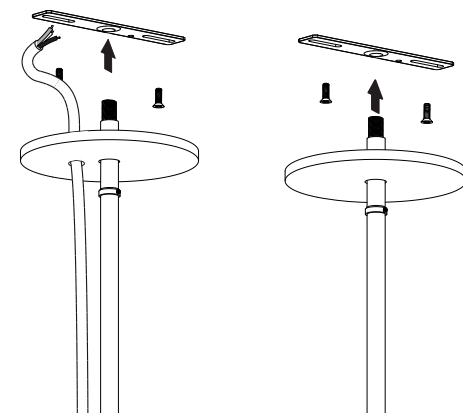
4 NON-POWER SIDE



Drawings of a non power junction box in the ceiling

Raise the fixture and tighten the junction box crossbar (D) with screws to the junction box (G). Then slide the canopy (B) and thighten the set up with the slip ring (A).

5 CONTINUOUS SYSTEM



For a continuous system, repeat step 1 for all mounting hardware.

