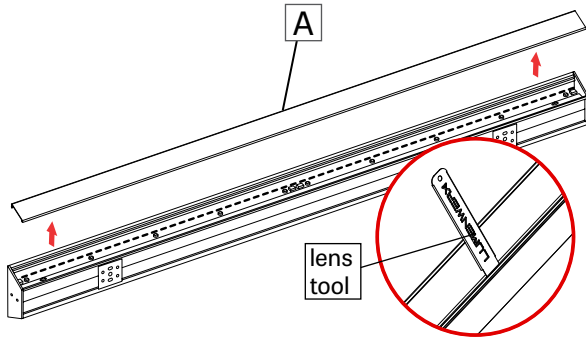


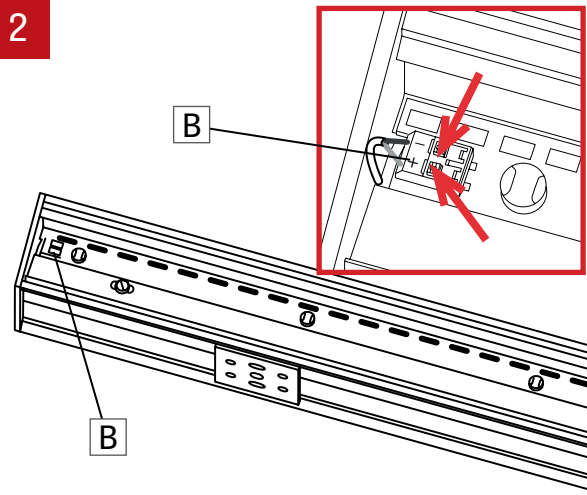
NOTE: Wire dimming conductors as Class 1

1 SINGLE FIXTURE



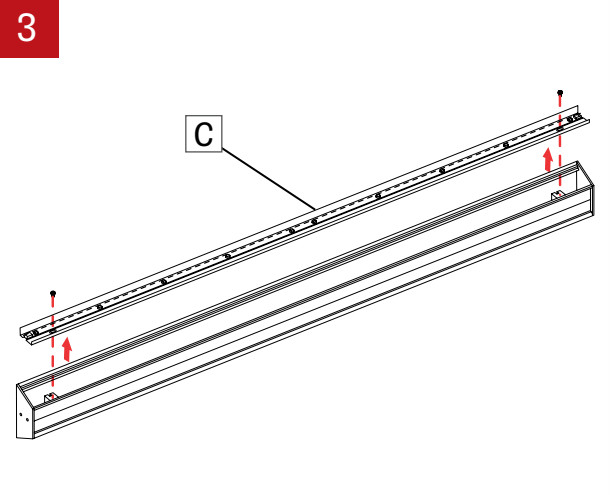
Remove the top lens (A) using the included lens tool.

2



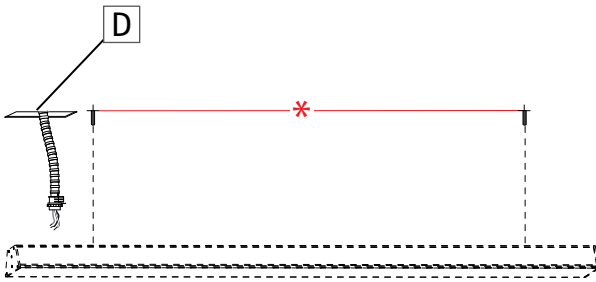
Disconnect LED mox connector (B) by taking a pointed object and pressing on the two tabs on the top.

3



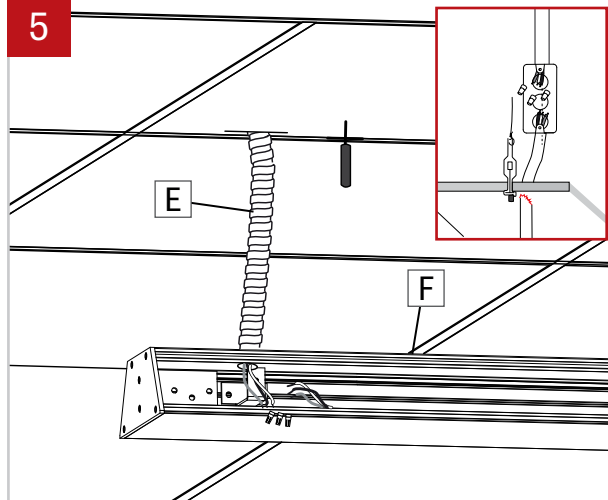
Unscrew the top cartridge (C) and remove it from the fixture.

4



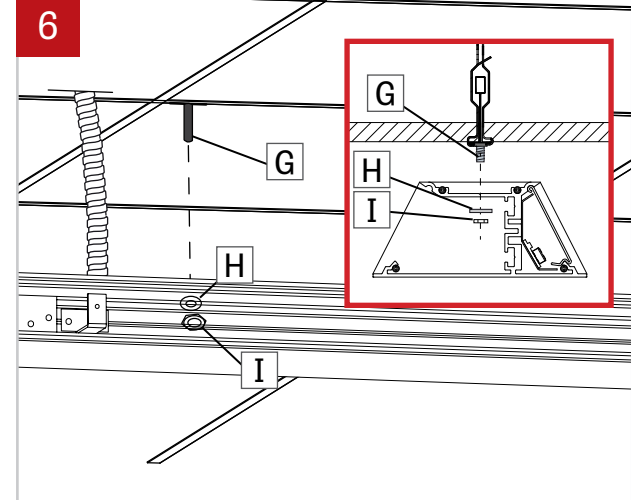
Locate junction box (D) and mounting points (*) in the ceiling. Refer to dimensions supplied in client drawings. Make sure the cut out for the BX Cable () are from the tile above the power plate.

5

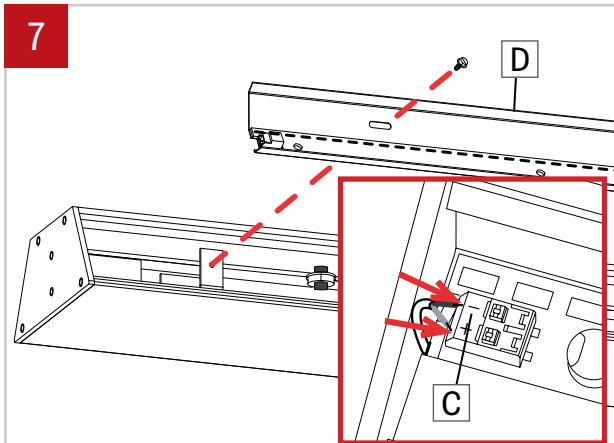


Make electrical connections between main power (E) and fixture (F) (connect the wires with the same colors together).

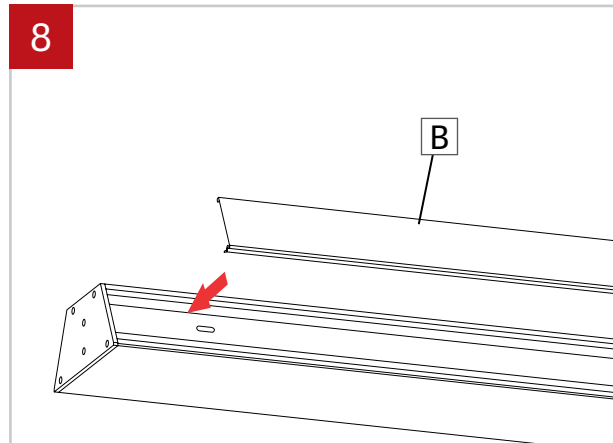
6



Fasten fixture to caddy clips (G) using washers (H) and nuts (I).

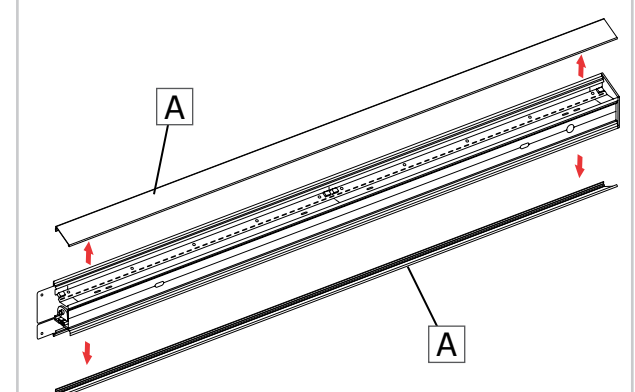


Put the cartridge (D) back in place and reconnect the LED moxle connector (C). **NOTE: connect black wire into the negative (-) terminal and the white wire into (+) positive terminal.** Make sure that the wires are not hiding any LED diode. Screw the cartridge (D) back in place.

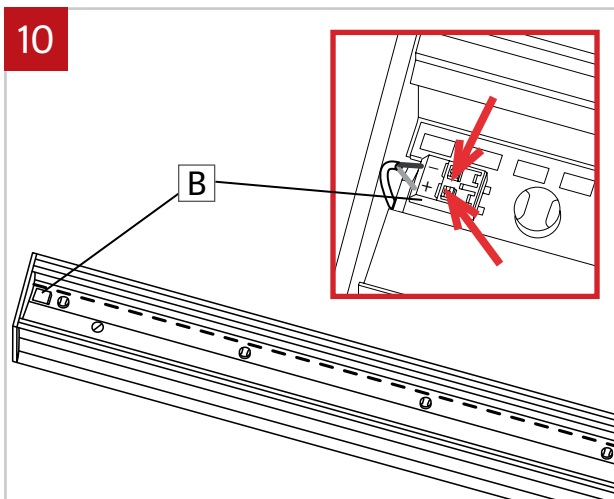


Put the top lens (B) back in place.

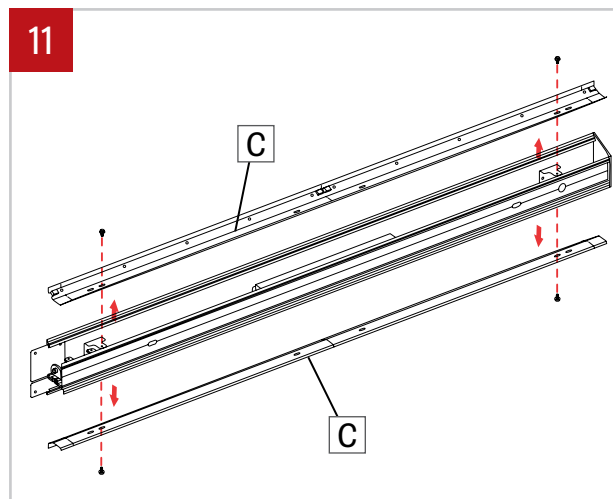
9 CONTINUOUS SYSTEM



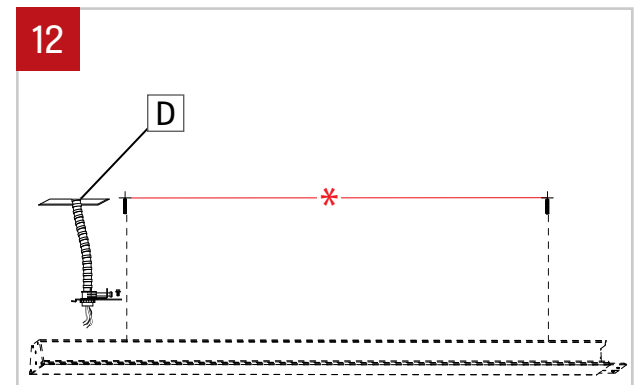
Remove the lens (A) on both side of the fixture with the included lens tool. Repeat on all fixtures in the run.



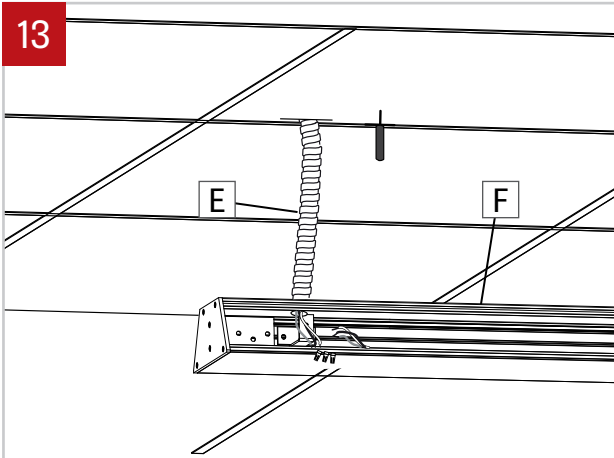
Disconnect LED moxle connector (B) by taking a pointed object and pressing on the two tabs on the top. Repeat on both sides and on all fixtures in the run.



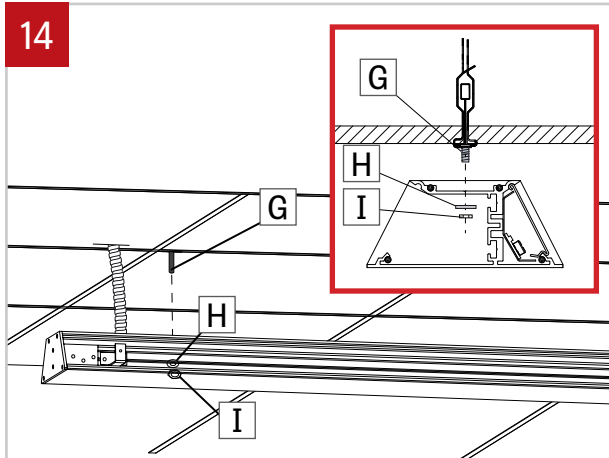
Unscrew the cartridges (D) and remove them on both side.



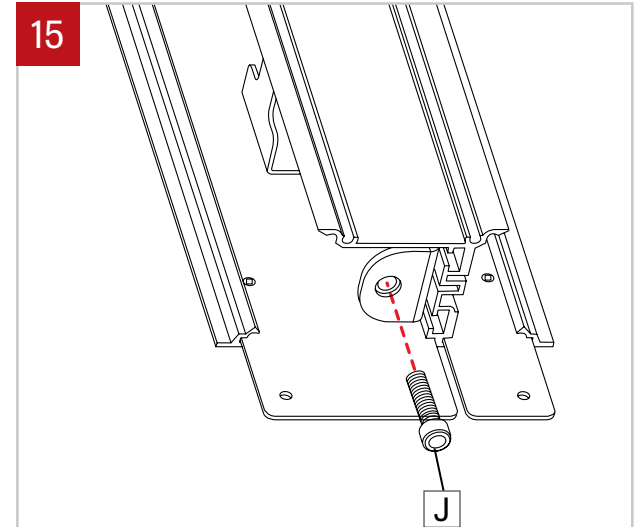
Locate junction box (D) and mounting points (*) in the ceiling. Refer to dimensions supplied in client drawings.



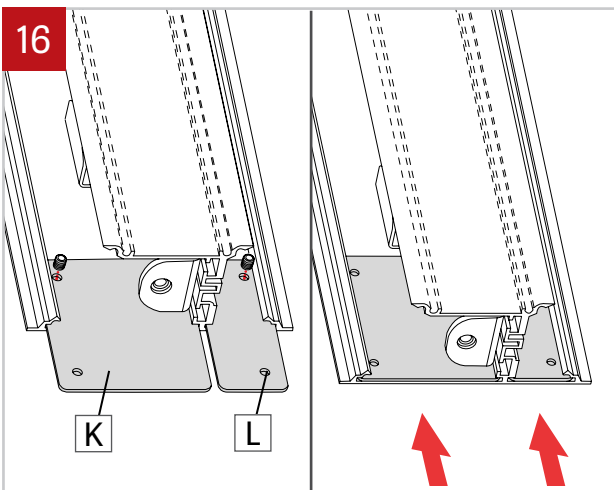
13 Make electrical connections between main power (E) and fixture (F) (connect the wires with the same colors together).



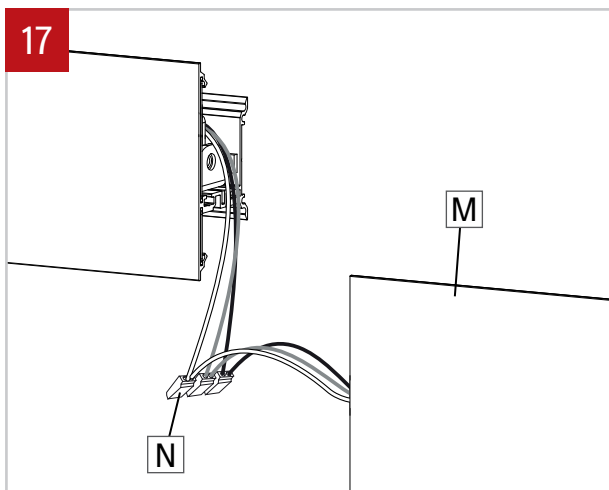
14 Fasten fixture to caddy clips (G) using washers (H) and nuts (I).



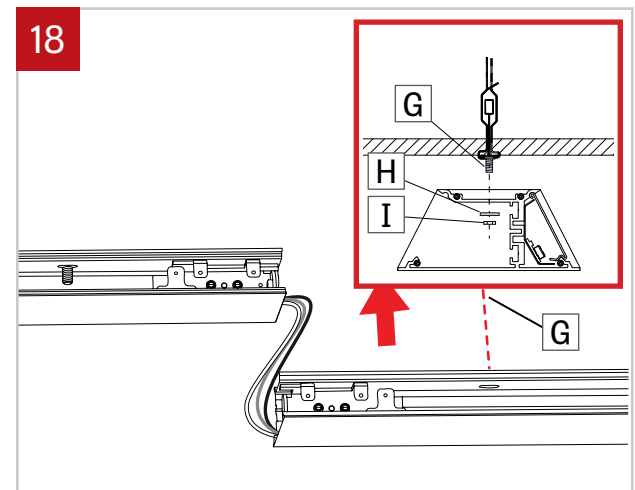
15 Remove the screw (J) on the joiner and put it in a safe place.



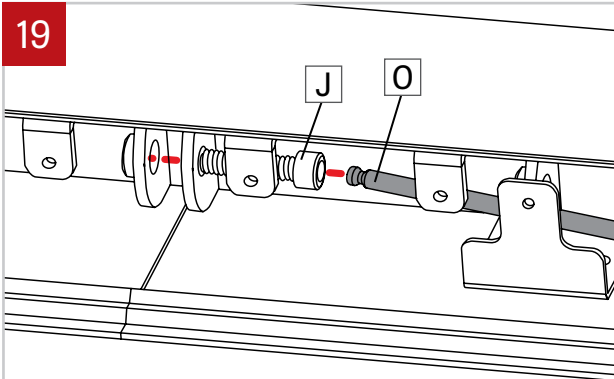
16 Unscrew the top joiner (K) and the bottom joiner (L) located at the end of the fixture (using 3/32" Allen Key) and slide them within the fixture.



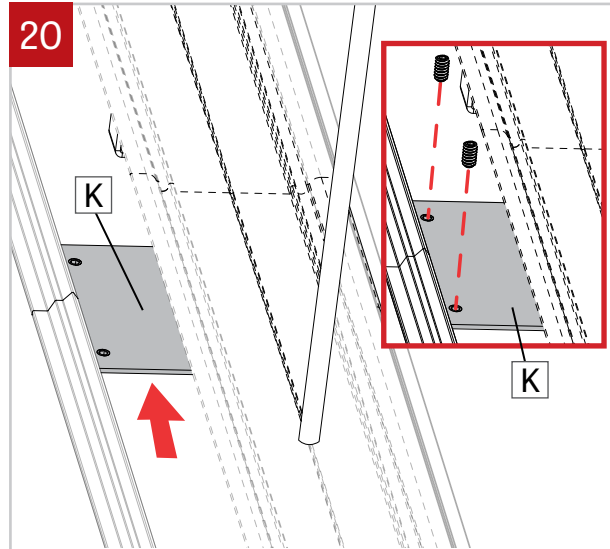
17 Connect wires between joining fixtures using quick connectors (N) and push wires inside the second fixture (M).



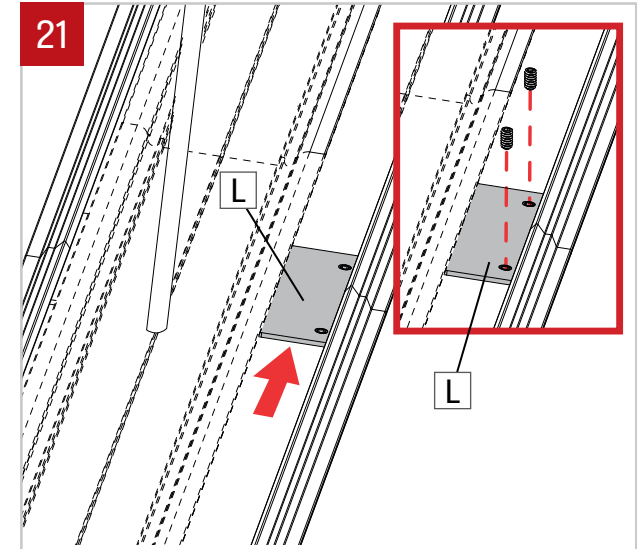
18 Locate mounting points of the second fixture and install the fixture. Fasten the second fixture to caddy clips (G) using washers (H) and nuts (I) without overtighten.



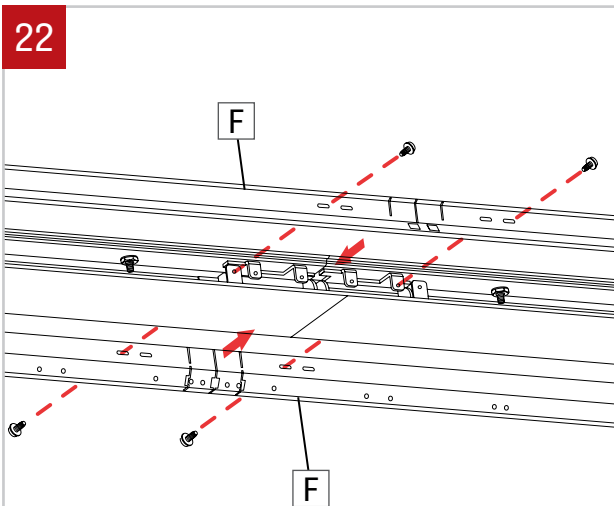
19
Join fixtures using align pins as guide. Put back in place the provided screw (J) (using 3/16" Ball-End Screwdriver (O) provided). Make sure that no wires are placed in between the extrusions, preventing the fixtures to be joined. Tighten the screw (J) to pull the extrusions together. Repeat steps 15 to 19 for all other fixture. Then tighten all washers and nuts on threaded studs to secure the fixtures.



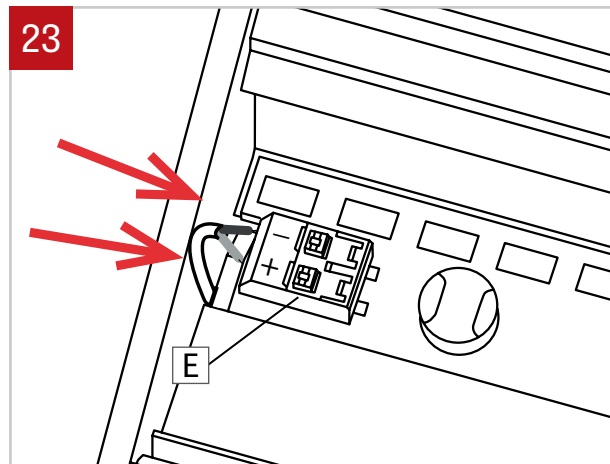
20
Slide back the top light blocker (K) and screw it with set screws.



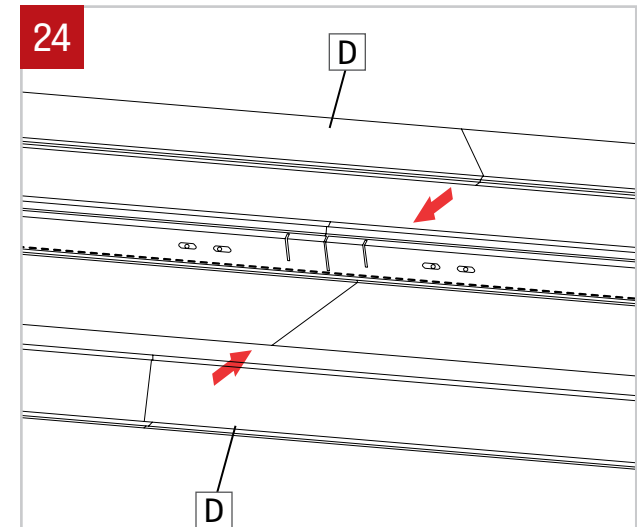
21
Slide back the bottom light blocker (L) and screw it with set screws.



22
Put back in place the cartridges (F) and screw them to the bracket.



23
Reconnect the LED molex connector (E). **NOTE: connect black wire into the negative (-) terminal and the white wire into (+) positive terminal.** Make sure that the wires are not hiding any LED diode.



24
Put the lenses (D) back in place.