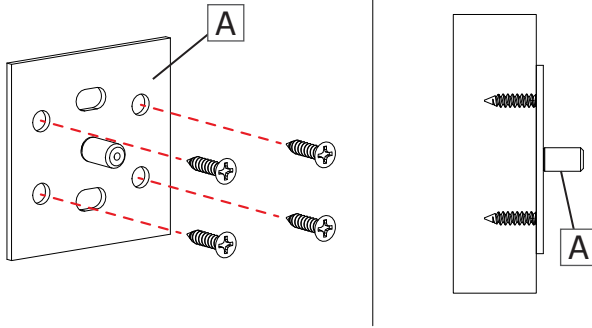


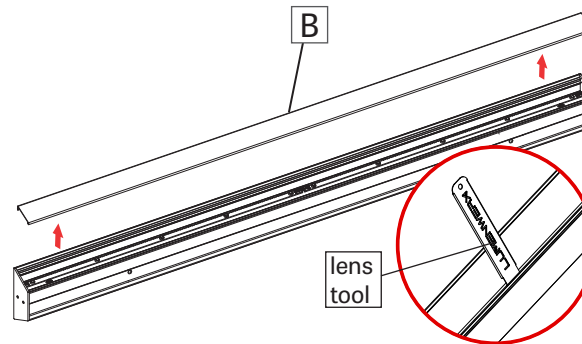
**NOTE: Wire dimming conductors as Class 1**

### 1 SINGLE FIXTURE



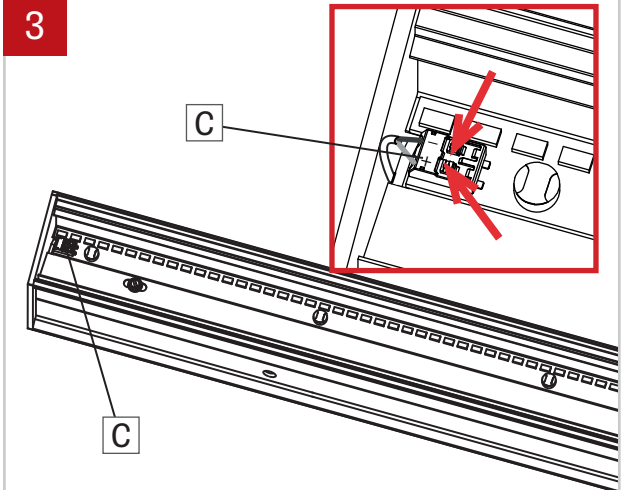
Locate mounting points and junction box on the wall according to the client drawing. Install the wall brackets (A) to the wall (align them with structural studs or use drywall anchors when needed).

### 2



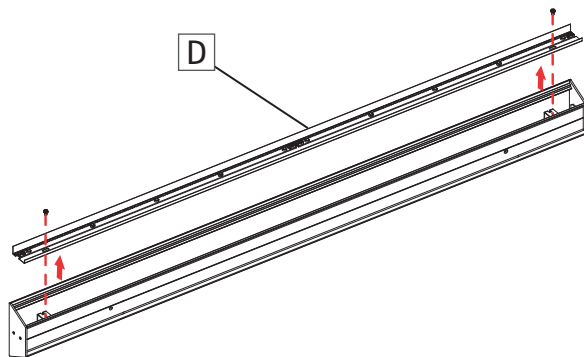
Remove the top lens (B) using the included lens tool.

### 3



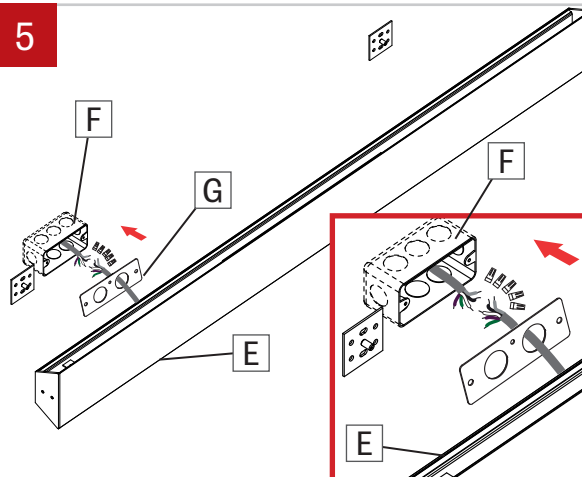
Disconnect LED moxex connector (C) by taking a pointed object and pressing on the two tabs on the top.

### 4



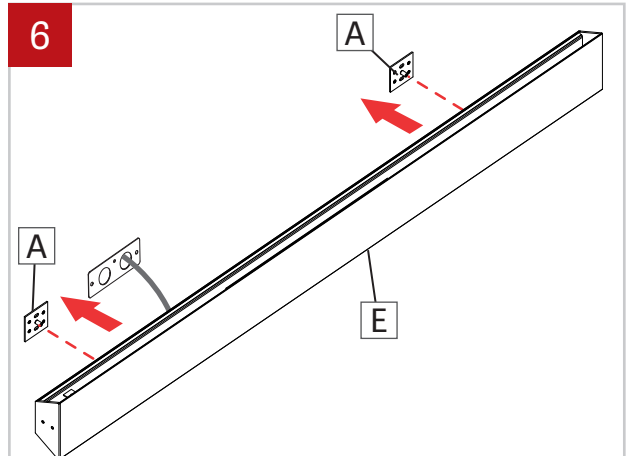
Unscrew the top cartridge (D) and remove it from the fixture.

### 5

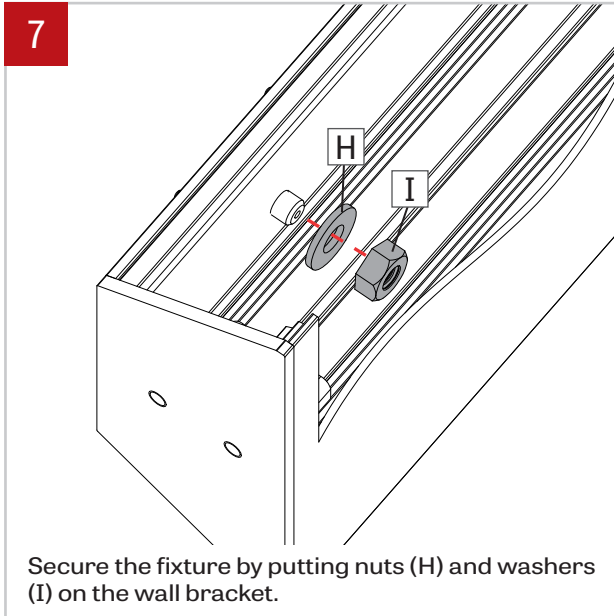


Make electrical connections between main power and fixture (E) inside the junction box (F) (connect the wires with the same colors together). Put back in place the junction box cover (G).

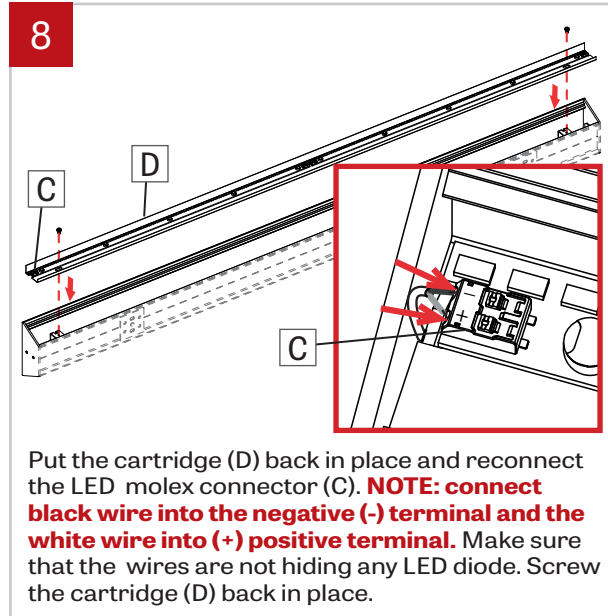
### 6



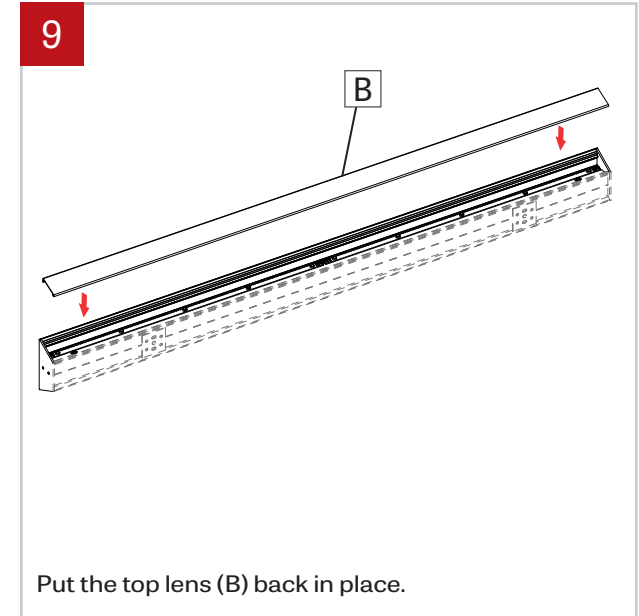
Install the fixture (E) on the wall by inserting it into the wall brackets (A).



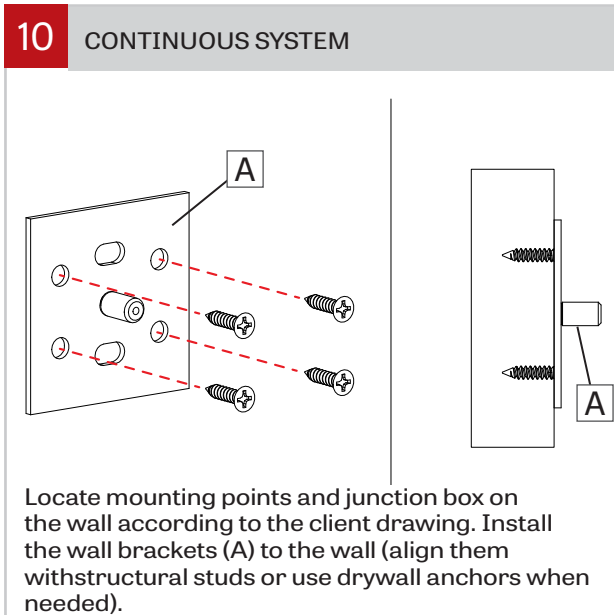
Secure the fixture by putting nuts (H) and washers (I) on the wall bracket.



Put the cartridge (D) back in place and reconnect the LED mox connector (C). **NOTE: connect black wire into the negative (-) terminal and the white wire into (+) positive terminal.** Make sure that the wires are not hiding any LED diode. Screw the cartridge (D) back in place.

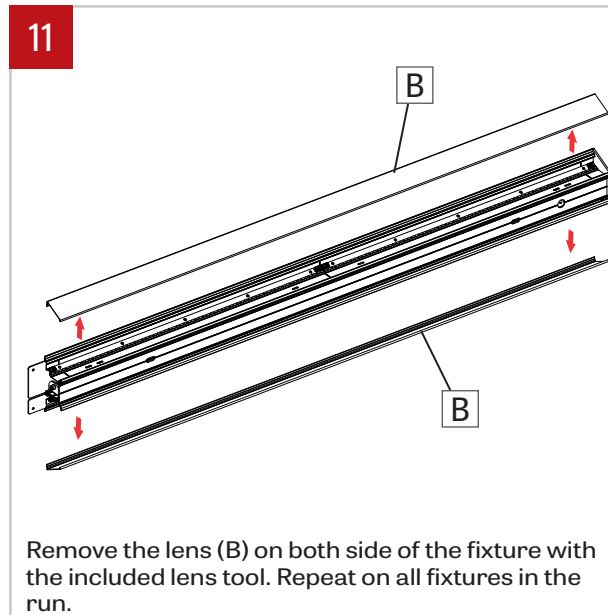


Put the top lens (B) back in place.

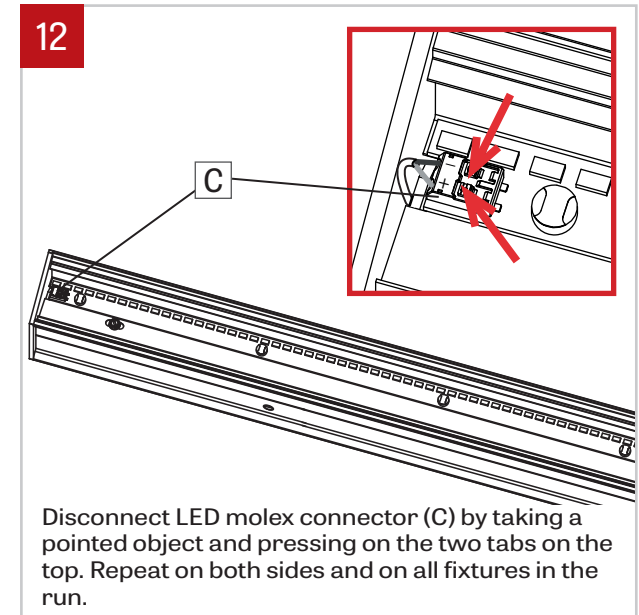


### 10 CONTINUOUS SYSTEM

Locate mounting points and junction box on the wall according to the client drawing. Install the wall brackets (A) to the wall (align them with structural studs or use drywall anchors when needed).

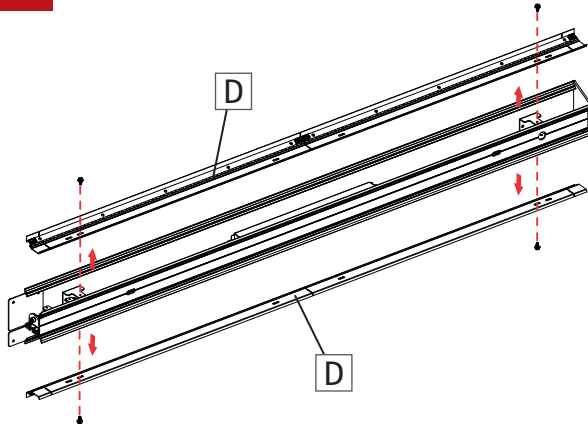


Remove the lens (B) on both side of the fixture with the included lens tool. Repeat on all fixtures in the run.



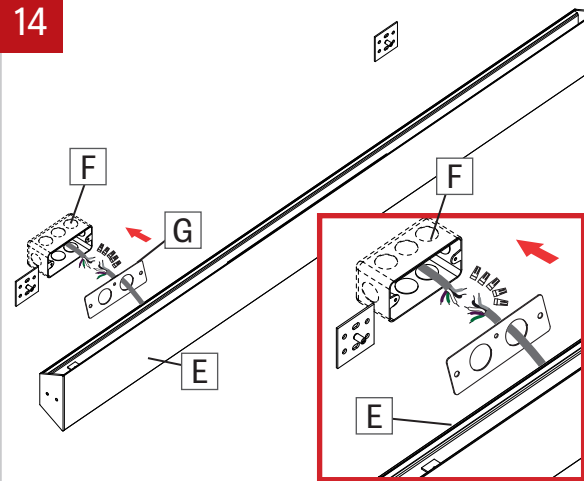
Disconnect LED mox connector (C) by taking a pointed object and pressing on the two tabs on the top. Repeat on both sides and on all fixtures in the run.

13



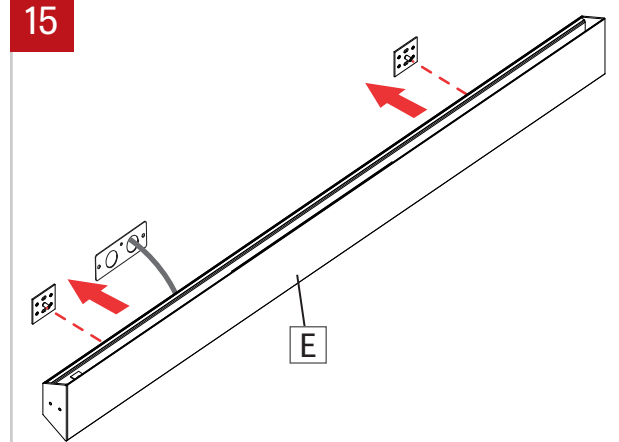
Unscrew the cartridges (D) and remove them on both side.

14



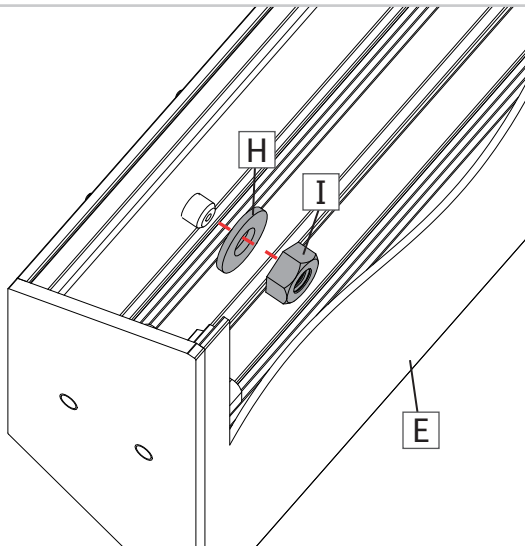
Make electrical connections between main power and the first fixture (E) inside the junction box (F) (connect the wires with the same colors together). Put back in place the junction box cover (G).

15



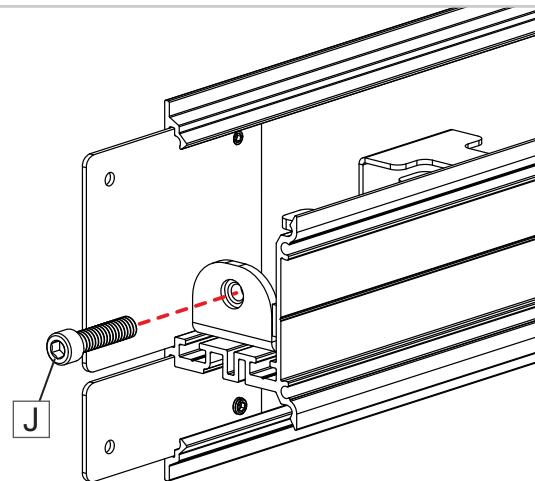
Install the first fixture (E) on the wall by inserting it into the wall brackets (A).

16



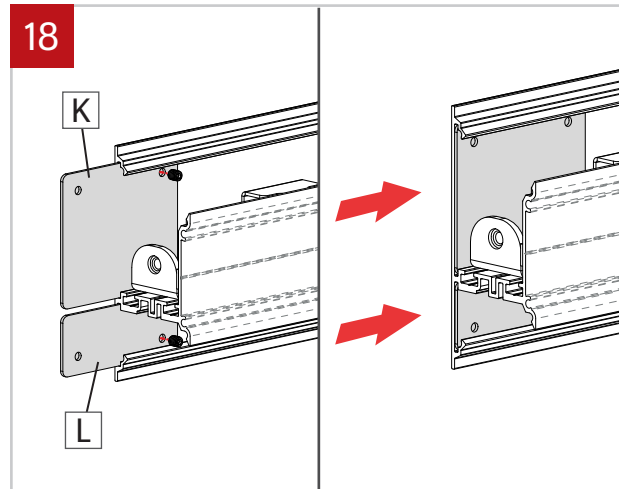
Secure the first fixture (E) by putting nuts (H) and washers (I) on the wall bracket.

17



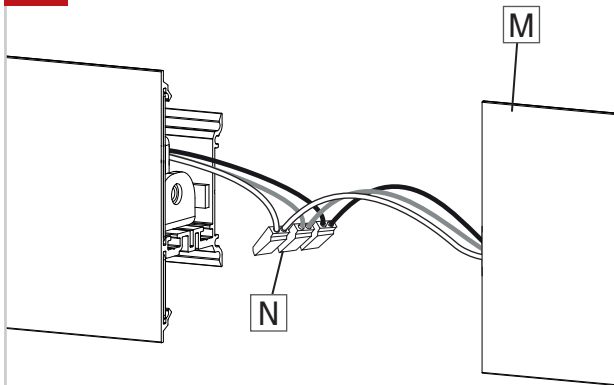
Remove the screw (J) on the joiner and put it in a safe place.

18



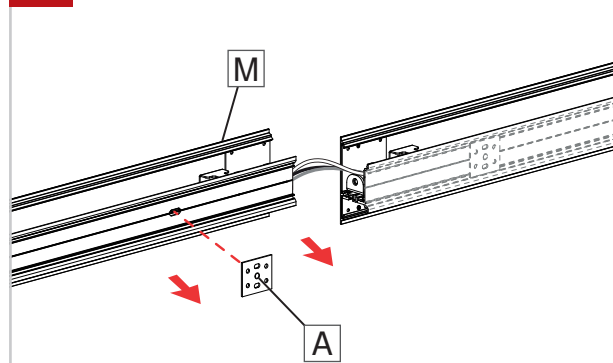
Unscrew the top joiner (K) and the bottom joiner (L) located at the end of the fixture (using 3/32" Allen Key) and slide them within the fixture.

19



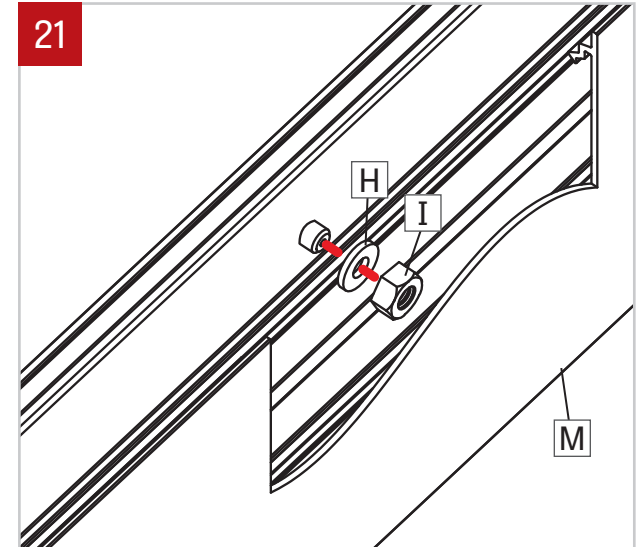
Connect wires between joining fixtures using quick connectors (N) and push wires inside the second fixture (M).

20



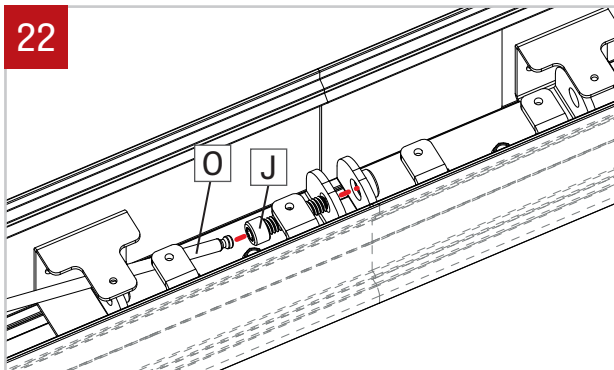
Install the second fixture (M) on the wall by inserting it into wall bracket (A) and connect the two fixtures together.

21



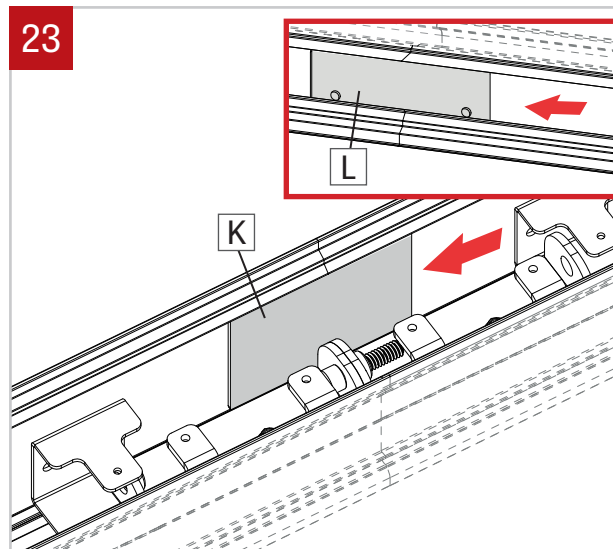
Secure the second fixture (M) by putting nuts (H) and washers (I) on the wall bracket.

22



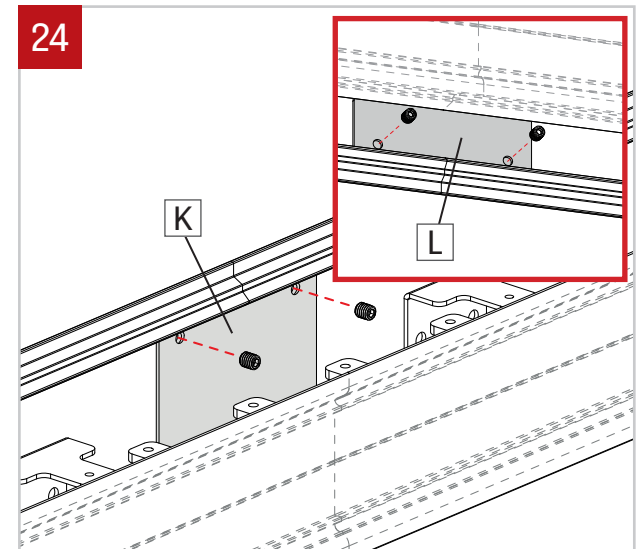
Join fixtures using align pins as guide. Put back in place the provided screw (J) (using 3/16" Ball-End Screwdriver (O) provided). Make sure that no wires are placed in between the extrusions, preventing the fixtures to be joined. Tight the screw (J) to pull the extrusions together. Repeat steps 15 to 19 for all other fixture. Then tighten all washers and nuts on threaded studs to secure the fixtures.

23



Slide back the top joiner (K) and the bottom joiner (L) between the two fixtures.

24



Screw the top light blocker (K) to the fixture and secure the bottom light blocker (L) with set screws.

